

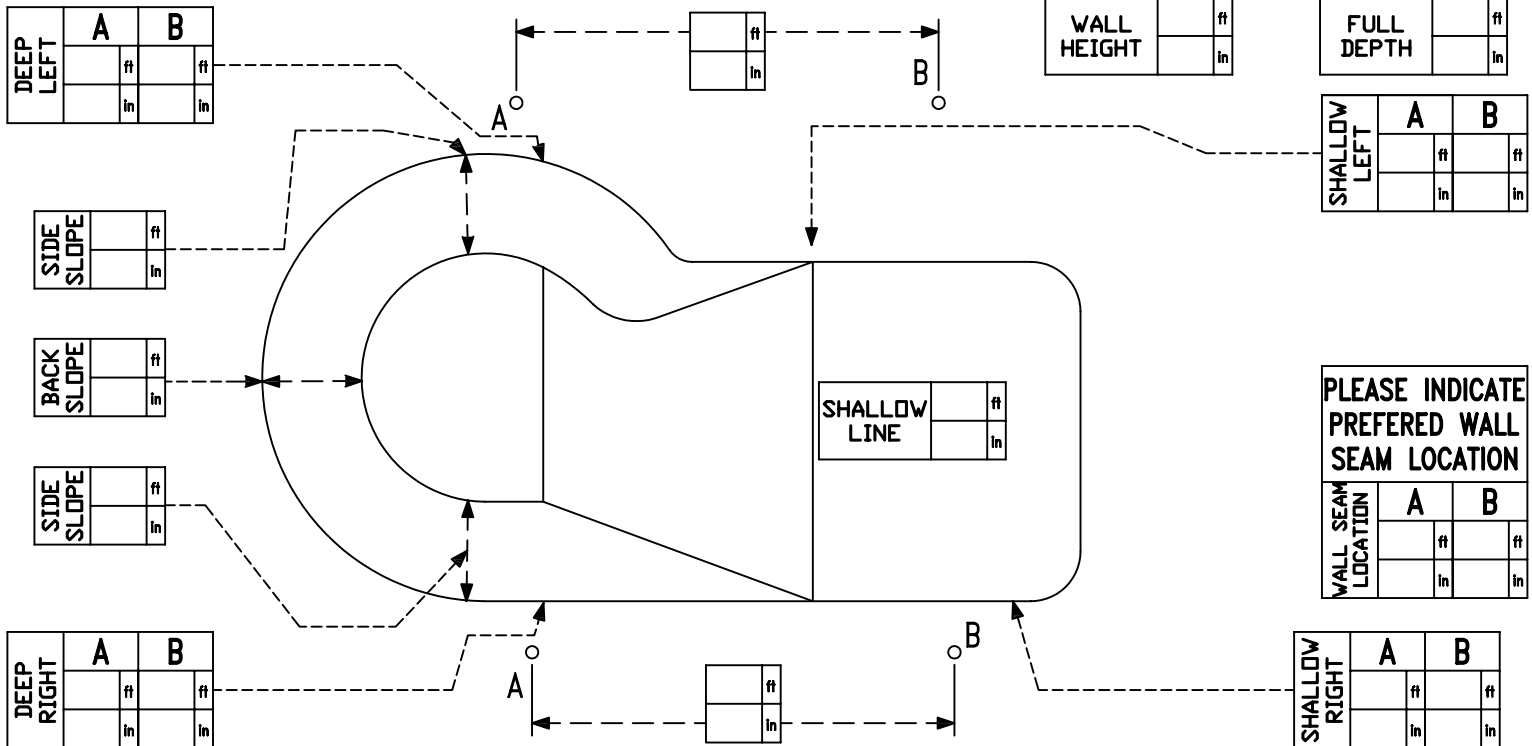
# CAPRI RIGHT LINER ORDER FORM

## HIGHBURY POOLS LTD

Tel: 519-659-7000 | Fax: 519-659-7867

SERIAL #

<b>DEALER NAME:</b>	<b>PERIMETER:</b>	<b>DATE:</b>
<b>TAG:</b>	<b>WALL PATTERN:</b>	
<b>TELEPHONE #:</b>	<b>BEAD TYPE/COLOUR:</b>	<b>GAUGE:</b>
<b>FAX #:</b>	<b>SHIP WITH (PREFERRED CARRIER):</b>	
<b>MEASURED BY:</b>	<b>REQUIRED DATE:</b>	



PT	A		B	
1	ft	in	ft	in
2	ft	in	ft	in
3	ft	in	ft	in
4	ft	in	ft	in
5	ft	in	ft	in
6	ft	in	ft	in
7	ft	in	ft	in
8	ft	in	ft	in
9	ft	in	ft	in
10	ft	in	ft	in
11	ft	in	ft	in
12	ft	in	ft	in
13	ft	in	ft	in
14	ft	in	ft	in
15	ft	in	ft	in

PT	A		B	
16	ft	in	ft	in
17	ft	in	ft	in
18	ft	in	ft	in
19	ft	in	ft	in
20	ft	in	ft	in
21	ft	in	ft	in
22	ft	in	ft	in
23	ft	in	ft	in
24	ft	in	ft	in
25	ft	in	ft	in
26	ft	in	ft	in
27	ft	in	ft	in
28	ft	in	ft	in
29	ft	in	ft	in
30	ft	in	ft	in

PT	A		B	
31	ft	in	ft	in
32	ft	in	ft	in
33	ft	in	ft	in
34	ft	in	ft	in
35	ft	in	ft	in
36	ft	in	ft	in
37	ft	in	ft	in
38	ft	in	ft	in
39	ft	in	ft	in
40	ft	in	ft	in
41	ft	in	ft	in
42	ft	in	ft	in
43	ft	in	ft	in
44	ft	in	ft	in
45	ft	in	ft	in