

MISCELLANEOUS INFORMATION

PERIMETER:	79'7"
SURFACE AREA:	403 SQ FT
VOLUME:	9263 IMP GALS 42147 LITER

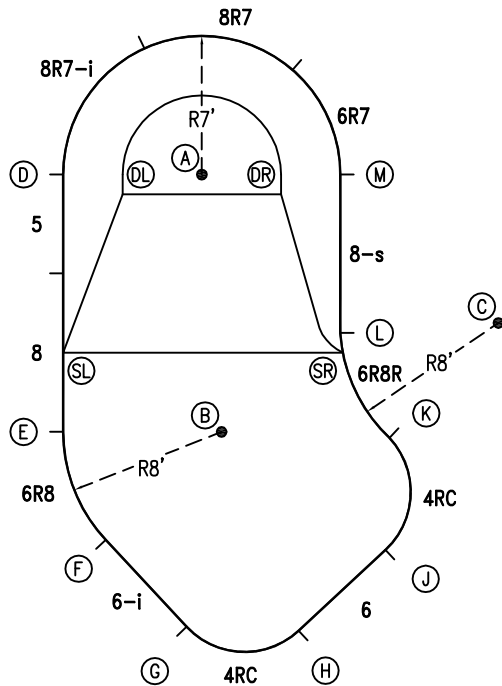
CONCRETE DECK INFO

WIDTH	AREA	NET INCREASES FOR:			
		STEPS	DIVING	SLIDE	ROLLER
2'	172	13	27	24	10
2'6"	219	17	31	20	10
3'	267	20	36	16	10

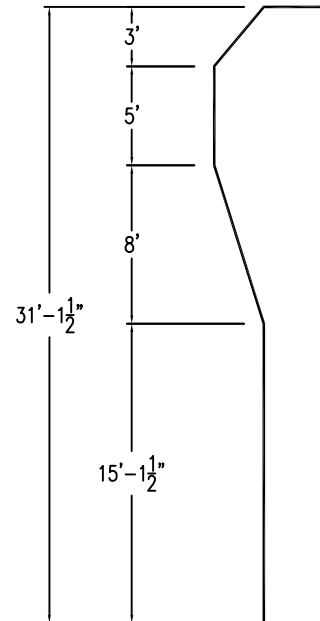
All Figures Represent "Sq Ft"

PARTS LIST

CODE	QTY	DESCRIPTION
6R8	1	6' Plain x 8' Radius
8	1	8' Plain
5	1	5' Plain
8R7-i	1	8' Return x 7' Radius
8R7	1	8' Plain x 7' Radius
6R7	1	6' Plain x 7' Radius
8-s	1	8' Skimmer
6R8R	1	6' Plain x 8' Reverse Radius
4RC	2	6'3" Plain x 4' Rad Cnr
6	1	6' Plain
6-i	1	6' Return
AF	12	A-Frame
S	24	Stakes
NB	72	Nuts & Bolts



6" WATER LINE

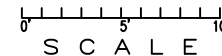


INSTALLATION DATA

From Point "A" to:-		From Point "B" to:-	
B	13'-0 1/2"	B	15'-0 1/4"
C	16'-9"	C	15'-3"
D	7'-0"	D	15'-3"
E	14'-9"	E	8'-0"
F	19'-0 3/4"	F	8'-0"
G	22'-10 1/4"	G	10'-0"
H	23'-6 3/4"	H	10'-9 1/4"
J	21'-1 1/4"	J	10'-2 1/4"
K	16'-4"	K	8'-5 3/4"
L	10'-7 1/2"	L	7'-9 3/4"
M	7'-0"	M	14'-3 3/4"
SL	11'-4 3/4"	SL	8'-11 1/4"
SR	11'-5 3/4"	SR	7'-3 3/4"
DL	4'-1 1/2"	DL	13'-0"
DR	4'-1 1/2"	DR	12'-4 1/4"

17'-6 1/2"

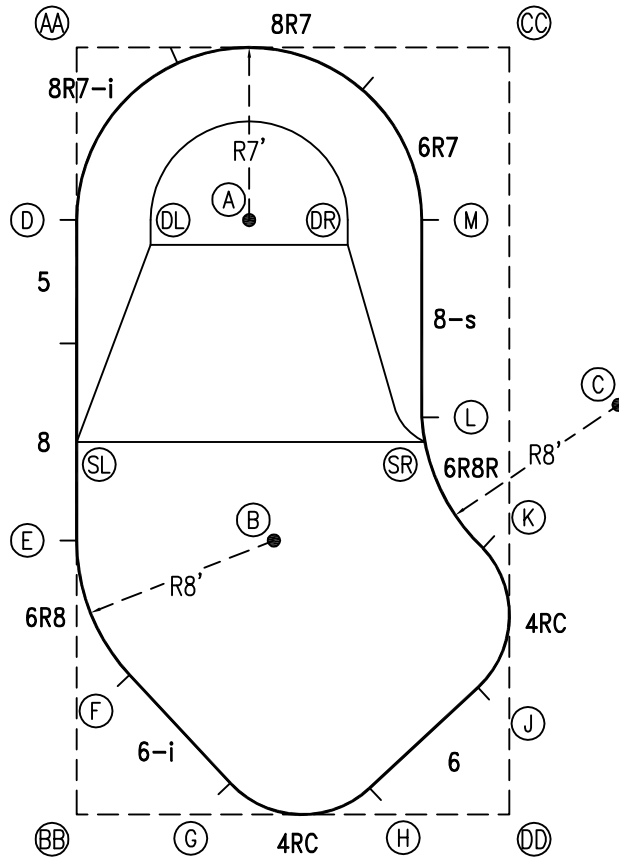
*ALL DIMENSIONS ARE FINISHED



NOTICE

SWIMMING POOLS AND ACCESSORIES (INCLUDING DIVING BOARDS) ARE DANGEROUS WHEN IMPROPERLY USED OR INSTALLED. IT IS THE RESPONSIBILITY OF MUNICIPAL OFFICIALS, BUILDERS AND POOL OWNERS TO ADHERE TO ALL SAFETY RECOMMENDATIONS AND STANDARDS ISSUED BY THE POOL & HOT TUB COUNCIL, LOCAL AUTHORITIES AND EQUIPMENT MANUFACTURERS. PLEASE REFER TO DIVING BOARD MANUFACTURERS FOR CORRECT POSITIONING AND INSTALLATION OF DIVING EQUIPMENT.

PERIMETER: 79'7"



EXTERNAL INSTALLATION DATA

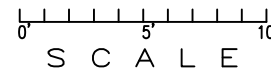
AA TO:	BB TO:	CC TO:	DD TO:
AA ---	AA 31'-1 1/2"	AA 17'-6 1/2"	AA 35'-8 3/4"
BB ---	BB ---	BB 35'-8 3/4"	BB 17'-6 1/2"
CC ---	CC ---	CC ---	CC 31'-1 1/2"
A 9'-10 3/4"	A 25'-1 1/4"	A 12'-7 3/4"	A 26'-3 3/4"
B 21'-6 1/2"	B 13'-8 1/4"	B 22'-1 3/4"	B 14'-7 3/4"
C 26'-4"	C 27'-6 3/4"	C 15'-1 3/4"	C 17'-2 1/4"
D 7'-0"	D 24'-1 1/2"	D 18'-10 3/4"	D 29'-9 3/4"
E 20'-0"	E 11'-1 1/2"	E 26'-7 1/4"	E 20'-9 1/4"
F 25'-6 1/2"	F 6'-0 3/4"	F 29'-9"	F 16'-5"
G 30'-5 3/4"	G 6'-4 1/4"	G 31'-11"	G 11'-4 3/4"
H 32'-3 3/4"	H 11'-11 1/4"	H 30'-6 3/4"	H 5'-9 1/4"
J 30'-7 3/4"	J 17'-0 3/4"	J 25'-11 3/4"	J 5'-3 3/4"
K 26'-1 3/4"	K 19'-8 1/2"	K 20'-4"	K 10'-10 1/4"
L 20'-6 1/4"	L 21'-4 1/4"	L 15'-4 3/4"	L 16'-6"
M 15'-7 3/4"	M 27'-10 1/2"	M 7'-10 1/4"	M 24'-4 1/2"
SL 16'-0"	SL 15'-1 1/2"	SL 23'-9"	SL 23'-2"
SR 21'-4"	SR 20'-8 1/4"	SR 16'-4 1/4"	SR 15'-6"
DL 8'-6 1/2"	DL 23'-3 3/4"	DL 16'-7 1/4"	DL 27'-3 3/4"
DR 13'-7 1/4"	DR 25'-7 1/4"	DR 10'-4"	DR 24'-0 1/4"

DIAGONALS

From Point "D" to:-		From Point "E" to:-	
E	13'-0"	E	
F	18'-6 7/8"	F	5'-10 3/8"
G	23'-8 1/8"	G	11'-7 7/8"
H	25'-11 1/4"	H	15'-6 3/4"
J	24'-11 7/8"	J	17'-4"
K	21'-2 1/4"	K	16'-5 7/8"
L	16'-1 1/2"	L	14'-10 3/8"
M	14'-0"	M	19'-1 1/4"

NOTICE

SWIMMING POOLS AND ACCESSORIES (INCLUDING DIVING BOARDS) ARE DANGEROUS WHEN IMPROPERLY USED OR INSTALLED. IT IS THE RESPONSIBILITY OF MUNICIPAL OFFICIALS, BUILDERS AND POOL OWNERS TO ADHERE TO ALL SAFETY RECOMMENDATIONS AND STANDARDS ISSUED BY THE POOL & HOT TUB COUNCIL, LOCAL AUTHORITIES AND EQUIPMENT MANUFACTURERS. PLEASE REFER TO DIVING BOARD MANUFACTURERS FOR CORRECT POSITIONING AND INSTALLATION OF DIVING EQUIPMENT.



HIGHBURY POOLS LTD

BAHAMA - RIGHT 14 x 18 x 31

DRAWING REFERENCE #
2-14-31-2

DRAWN BY: JK
REV. 21 AUG 13
SHEET 2 OF 2