

**MISCELLANEOUS INFORMATION**

PERIMETER:	82'7"
SURFACE AREA:	457 SQ FT
VOLUME:	11835 IMP GALS 53849 LITER

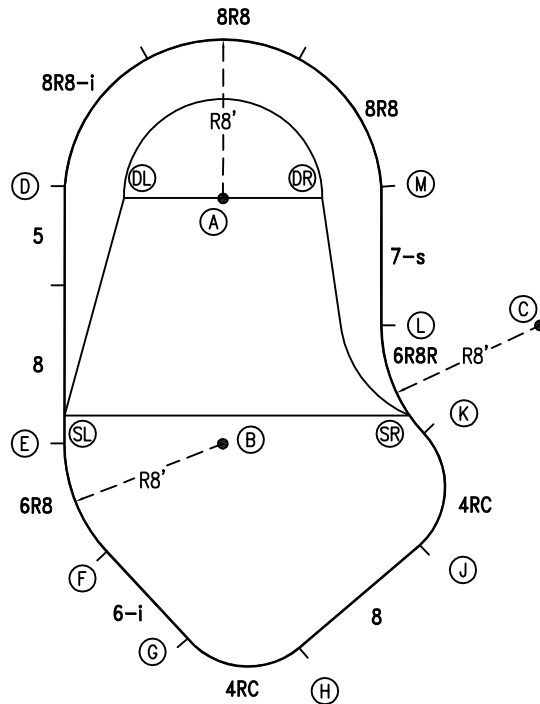
**CONCRETE DECK INFO**

WIDTH	AREA	NET INCREASES FOR:			
		STEPS	DIVING	SLIDE	ROLLER
2'	178	13	27	24	10
2'6"	226	17	31	20	10
3'	276	20	36	16	10

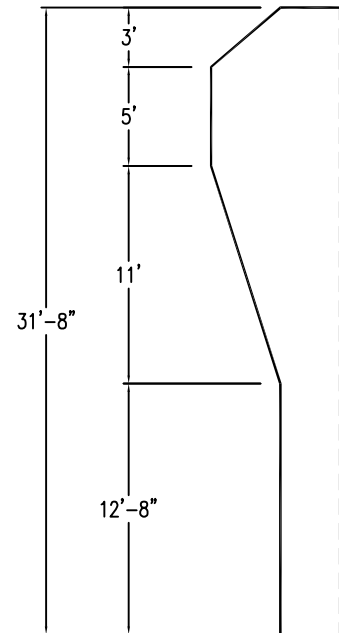
All Figures Represent "Sq Ft"

**PARTS LIST**

CODE	QTY	DESCRIPTION
6R8	1	6' Plain x 8' Radius
8	2	8' Plain
5	1	5' Plain
8R8-i	1	8' Return x 8' Radius
8R8	2	8' Plain x 8' Radius
7-s	1	7' Skimmer
6R8R	1	6' Plain x 8' Reverse Radius
4RC	2	6'3" Plain x 4' Rad Cnr
6-i	1	6' Return
AF	12	A-Frame
S	24	Stakes
NB	72	Nuts & Bolts



6" WATER LINE



**INSTALLATION DATA**

From Point "A" to:-		From Point "B" to:-	
B	12'-4 3/4"	B	17'-1"
C	17'-2 3/4"	C	15'-3 1/4"
D	8'-0 1/2"	D	8'-0"
E	14'-9"	E	8'-0"
F	18'-9 1/4"	F	10'-0"
G	22'-3 3/4"	G	11'-0"
H	23'-0 1/4"	H	11'-2 1/4"
J	20'-1 3/4"	J	10'-2"
K	15'-7 1/4"	K	10'-0"
L	10'-3"	L	15'-3"
M	8'-0 1/4"	M	8'-1 1/2"
SL	13'-7"	SL	9'-6 1/2"
SR	14'-5 1/2"	SR	13'-4 1/2"
DL	5'-0"	DL	13'-4 3/4"
DR	5'-0"	DR	

19'-3"

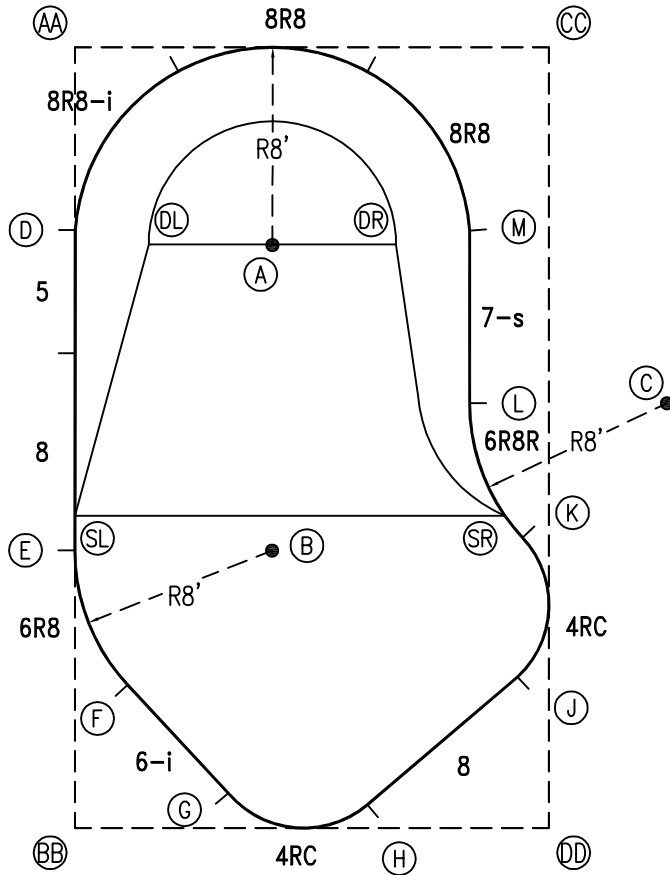
\*ALL DIMENSIONS ARE FINISHED



**NOTICE**

SWIMMING POOLS AND ACCESSORIES (INCLUDING DIVING BOARDS) ARE DANGEROUS WHEN IMPROPERLY USED OR INSTALLED. IT IS THE RESPONSIBILITY OF MUNICIPAL OFFICIALS, BUILDERS AND POOL OWNERS TO ADHERE TO ALL SAFETY RECOMMENDATIONS AND STANDARDS ISSUED BY THE POOL & HOT TUB COUNCIL, LOCAL AUTHORITIES AND EQUIPMENT MANUFACTURERS. PLEASE REFER TO DIVING BOARD MANUFACTURERS FOR CORRECT POSITIONING AND INSTALLATION OF DIVING EQUIPMENT.

PERIMETER: 82'7"



EXTERNAL INSTALLATION DATA

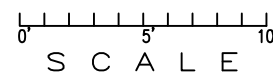
AA TO:	BB TO:	CC TO:	DD TO:
AA	AA 31'-8"	AA 19'-2 3/4"	AA 37'-0 1/2"
BB	BB	BB 37'-0 1/2"	BB 19'-2 3/4"
CC	CC	CC	CC 31'-8"
A	A 24'-11 1/2"	A 13'-9 1/2"	A 26'-2"
B	B 13'-9 3/4"	B 23'-3 1/2"	B 15'-10 3/4"
C	C 29'-6 1/2"	C 15'-2 1/2"	C 17'-10 1/2"
D	D 24'-3"	D 20'-7 1/4"	D 30'-11 1/2"
E	E 11'-3"	E 28'-0 1/2"	E 22'-3 1/2"
F	F 6'-2 1/4"	F 31'-0"	F 18'-0 1/2"
G	G 6'-4 1/2"	G 32'-11 1/4"	G 13'-0 3/4"
H	H 11'-10 3/4"	H 31'-7"	H 7'-5"
J	J 18'-11 1/2"	J 25'-6 3/4"	J 6'-3"
K	K 21'-7 3/4"	K 19'-11"	K 11'-9 3/4"
L	L 23'-6 1/4"	L 14'-9 1/2"	L 17'-6 1/4"
M	M 29'-0 1/2"	M 8'-1 1/4"	M 24'-5 1/4"
SL	SL 12'-8"	SL 27'-0 1/4"	SL 23'-0 1/4"
SR	SR 21'-6 3/4"	SR 19'-1"	SR 12'-9 1/2"
DL	DL 23'-10 1/4"	DL 18'-1"	DL 28'-8 1/4"
DR	DR 27'-0 1/4"	DR 10'-1 1/2"	DR 24'-5 1/2"

DIAGONALS

From Point "D" to:-	From Point "E" to:-
E 13'-0"	E
F 18'-6 7/8"	F 5'-10 3/8"
G 23'-8 1/4"	G 11'-7 7/8"
H 26'-1 7/8"	H 15'-8 5/8"
J 25'-6 1/4"	J 18'-8 1/8"
K 22'-0 3/8"	K 18'-1 7/8"
L 17'-5 7/8"	L 17'-1 1/8"
M 16'-0 1/8"	M 20'-7 1/4"

NOTICE

SWIMMING POOLS AND ACCESSORIES (INCLUDING DIVING BOARDS) ARE DANGEROUS WHEN IMPROPERLY USED OR INSTALLED. IT IS THE RESPONSIBILITY OF MUNICIPAL OFFICIALS, BUILDERS AND POOL OWNERS TO ADHERE TO ALL SAFETY RECOMMENDATIONS AND STANDARDS ISSUED BY THE POOL & HOT TUB COUNCIL, LOCAL AUTHORITIES AND EQUIPMENT MANUFACTURERS. PLEASE REFER TO DIVING BOARD MANUFACTURERS FOR CORRECT POSITIONING AND INSTALLATION OF DIVING EQUIPMENT.



HIGHBURY POOLS LTD

BAHAMA - RIGHT 16 x 19 x 32

DRAWING REFERENCE #  
2-16-32-2

DRAWN BY: JK  
REV. 21 AUG 13  
SHEET 2 OF 2