

MISCELLANEOUS INFORMATION

PERIMETER:	86'7"
SURFACE AREA:	489 SQ FT
VOLUME:	12428 IMP GALS 56547 LITER

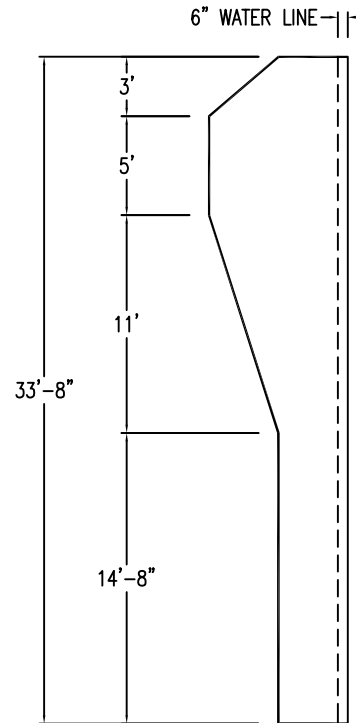
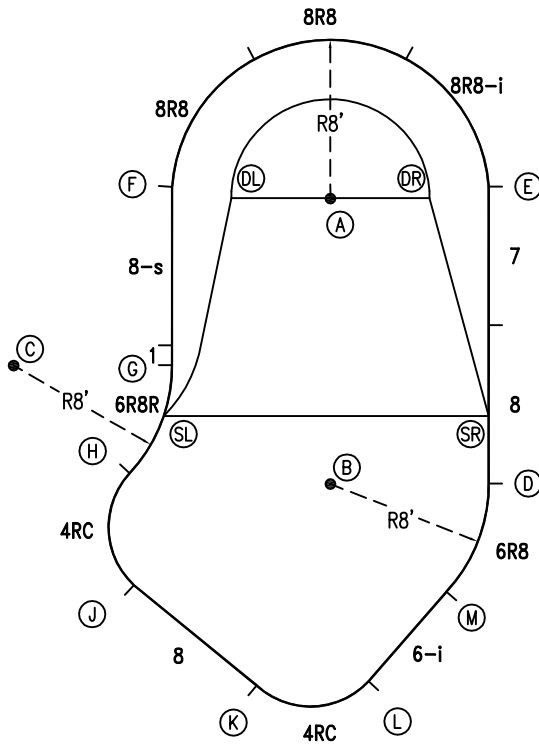
CONCRETE DECK INFO

WIDTH	AREA	NET INCREASES FOR:			
		STEPS	DIVING	SLIDE	ROLLER
2'	185	13	27	24	10
2'6"	236	17	31	20	10
3'	288	20	36	16	10

All Figures Represent "Sq Ft"

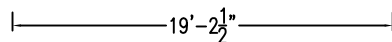
PARTS LIST

CODE	QTY	DESCRIPTION
6R8	1	6' Plain x 8' Radius
8	2	8' Plain
7	1	7' Plain
8R8-i	1	8' Return x 8' Radius
8R8	2	8' Plain x 8' Radius
8-s	1	8' Skimmer
1	1	1' Plain
6R8R	1	6' Plain x 8' Reverse Radius
4RC	2	6'3" Plain x 4' Rad Cnr
6-i	1	6' Return
AF	13	A-Frame
S	26	Stakes
NB	78	Nuts & Bolts

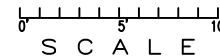


INSTALLATION DATA

From Point "A" to:-		From Point "B" to:-	
B	5'-0"	B	5'-0"
C	15'-3 1/4"	C	14'-4 3/4"
D	22'-7 3/4"	D	18'-1"
E	14'-8 1/2"	E	16'-5 1/2"
F	3'-0 1/2"	F	8'-0 1/4"
G	13'-0 1/4"	G	8'-0 1/4"
H	15'-6"	H	11'-7 1/4"
J	20'-6 1/2"	J	17'-2 1/4"
K	24'-7 1/4"	K	21'-10 3/4"
L	26'-1 1/4"	L	24'-10 1/2"
M	24'-7"	M	24'-5 1/2"
N	19'-10 3/4"	N	20'-8 1/4"
SL	17'-4 1/4"	SL	13'-10"
SR	15'-3 1/4"	SR	12'-3 3/4"
DL	11'-4 3/4"	DL	13'-6 3/4"
DR	10'-0"	DR	5'-0"



*ALL DIMENSIONS ARE FINISHED



NOTICE

SWIMMING POOLS AND ACCESSORIES (INCLUDING DIVING BOARDS) ARE DANGEROUS WHEN IMPROPERLY USED OR INSTALLED. IT IS THE RESPONSIBILITY OF MUNICIPAL OFFICIALS, BUILDERS AND POOL OWNERS TO ADHERE TO ALL SAFETY RECOMMENDATIONS AND STANDARDS ISSUED BY THE POOL & HOT TUB COUNCIL, LOCAL AUTHORITIES AND EQUIPMENT MANUFACTURERS. PLEASE REFER TO DIVING BOARD MANUFACTURERS FOR CORRECT POSITIONING AND INSTALLATION OF DIVING EQUIPMENT.

