

MISCELLANEOUS INFORMATION

PERIMETER:	92'7"
SURFACE AREA:	536 SQ FT
VOLUME:	15376 IMP GALS 69961 LITER

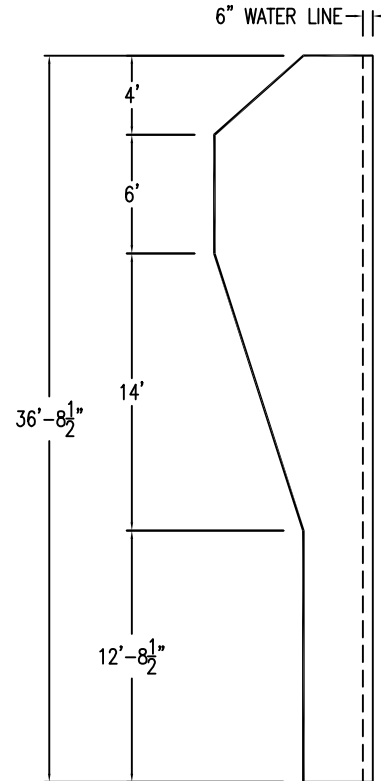
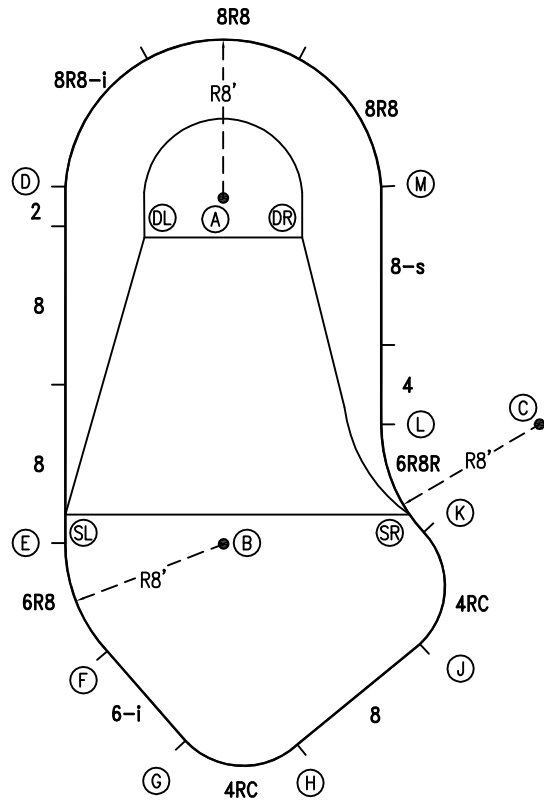
CONCRETE DECK INFO

WIDTH	AREA	NET INCREASES FOR:			
		STEPS	DIVING	SLIDE	ROLLER
2'	198	13	27	24	10
2'6"	251	17	31	20	10
3'	306	20	36	16	10

All Figures Represent "Sq Ft"

PARTS LIST

CODE	QTY	DESCRIPTION
6R8	1	6' Plain x 8' Radius
8	3	8' Plain
2	1	2' Plain
8R8-i	1	8' Return x 8' Radius
8R8	2	8' Plain x 8' Radius
8-s	1	8' Skimmer
4	1	4' Plain
6R8R	1	6' Plain x 8' Reverse Radius
4RC	2	6'3" Plain x 4' Rad Cnr
6-i	1	6' Return
AF	14	A-Frame
S	28	Stakes
NB	84	Nuts & Bolts

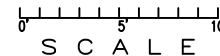


INSTALLATION DATA

From Point "A" to:-		From Point "B" to:-	
B	17'-5 3/4"	B	17'-0 3/4"
C	19'-7 3/4"	C	19'-8 3/4"
D	8'-0"	D	19'-8 3/4"
E	19'-2"	E	8'-0"
F	23'-7 1/2"	F	8'-0"
G	27'-5 3/4"	G	10'-1 1/2"
H	27'-10 1/4"	H	10'-9 1/2"
J	24'-7 1/2"	J	11'-1 1/2"
K	19'-8 1/4"	K	10'-1 1/2"
L	13'-11 1/4"	L	10'-0"
M	8'-0"	M	19'-8 1/2"
SL	17'-10 1/2"	SL	8'-1 1/2"
SR	18'-6 3/4"	SR	9'-6"
DL	4'-5 1/2"	DL	15'-11 3/4"
DR	4'-5 1/2"	DR	15'-11 3/4"

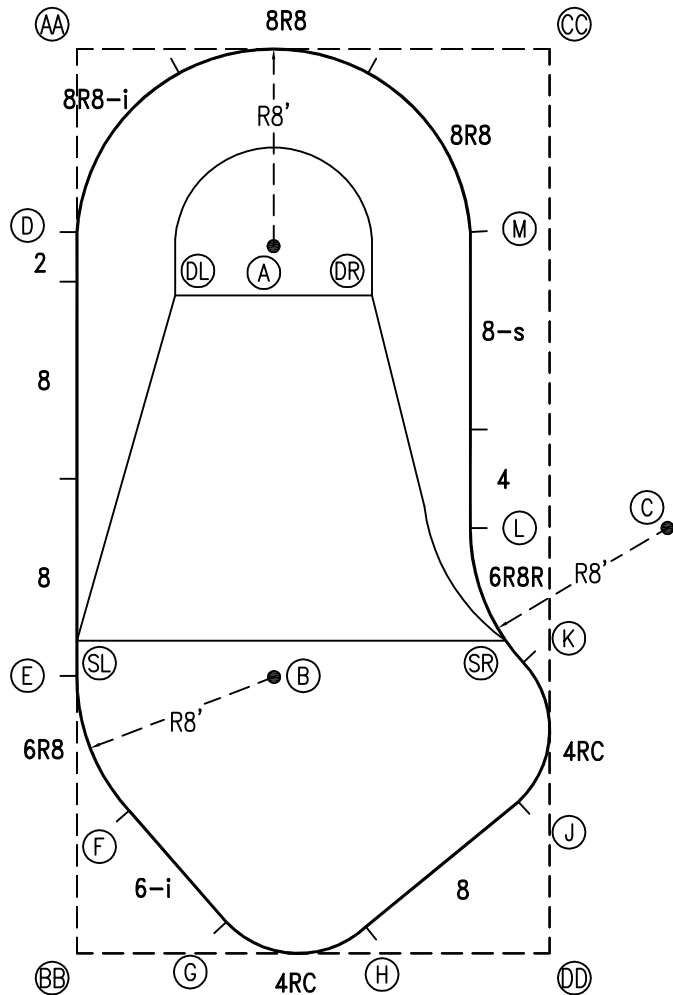
19'-2"

*ALL DIMENSIONS ARE FINISHED



NOTICE

SWIMMING POOLS AND ACCESSORIES (INCLUDING DIVING BOARDS) ARE DANGEROUS WHEN IMPROPERLY USED OR INSTALLED. IT IS THE RESPONSIBILITY OF MUNICIPAL OFFICIALS, BUILDERS AND POOL OWNERS TO ADHERE TO ALL SAFETY RECOMMENDATIONS AND STANDARDS ISSUED BY THE POOL & HOT TUB COUNCIL, LOCAL AUTHORITIES AND EQUIPMENT MANUFACTURERS. PLEASE REFER TO DIVING BOARD MANUFACTURERS FOR CORRECT POSITIONING AND INSTALLATION OF DIVING EQUIPMENT.



EXTERNAL INSTALLATION DATA

AA TO:	BB TO:	CC TO:	DD TO:
AA ---	AA 36'-8 1/4"	AA 19'-2"	AA 41'-4 3/4"
BB ---	BB ---	BB 41'-4 3/4"	BB 19'-2"
CC ---	CC ---	CC ---	CC 36'-8 1/4"
A 11'-3 1/2"	A 29'-9 1/4"	A 13'-9"	A 30'-9 1/2"
B 26'-8 1/2"	B 13'-9 1/4"	B 27'-9 3/4"	B 15'-10"
C 30'-10 1/4"	C 29'-6 1/4"	C 20'-0"	C 17'-10 3/4"
D 7'-5 1/4"	D 29'-3"	D 20'-6 3/4"	D 34'-11 3/4"
E 25'-5 1/4"	E 11'-3"	E 31'-10 1/4"	E 22'-2 3/4"
F 30'-11 1/2"	F 6'-2"	F 35'-3 1/2"	F 18'-0 1/4"
G 35'-11 1/4"	G 6'-2 1/4"	G 37'-9 1/4"	G 13'-2"
H 37'-5 3/4"	H 11'-9"	H 36'-4 3/4"	H 7'-6 1/2"
J 35'-4 3/4"	J 18'-11 1/4"	J 30'-6 3/4"	J 6'-3 1/4"
K 30'-9 1/4"	K 21'-7 1/4"	K 24'-10 3/4"	K 11'-10 1/4"
L 25'-1 3/4"	L 23'-6"	L 19'-8 1/4"	L 17'-6 1/2"
M 17'-7 1/4"	M 33'-3 3/4"	M 8'-1 1/4"	M 29'-5 1/4"
SL 24'-0"	SL 12'-8 1/4"	SL 30'-8 1/2"	SL 23'-0"
SR 29'-7 1/2"	SR 21'-6 1/4"	SR 24'-0 3/4"	SR 12'-9 3/4"
DL 10'-9 1/4"	DL 26'-11 3/4"	DL 18'-2 1/4"	DL 30'-8 1/2"
DR 15'-7"	DR 29'-3"	DR 12'-3 3/4"	DR 27'-7 3/4"

DIAGONALS

From Point "D" to:-		From Point "E" to:-	
E	18'-0"	E	
F	23'-6 3/4"	F	5'-10 3/8"
G	28'-7 5/8"	G	11'-8 1/8"
H	30'-6 1/4"	H	15'-6 1/4"
J	29'-2 3/4"	J	18'-7 1/2"
K	25'-1 3/4"	K	18'-1 3/8"
L	19'-11 5/8"	L	17'-0 5/8"
M	15'-11 1/2"	M	24'-0 5/8"

NOTICE

SWIMMING POOLS AND ACCESSORIES (INCLUDING DIVING BOARDS) ARE DANGEROUS WHEN IMPROPERLY USED OR INSTALLED. IT IS THE RESPONSIBILITY OF MUNICIPAL OFFICIALS, BUILDERS AND POOL OWNERS TO ADHERE TO ALL SAFETY RECOMMENDATIONS AND STANDARDS ISSUED BY THE POOL & HOT TUB COUNCIL, LOCAL AUTHORITIES AND EQUIPMENT MANUFACTURERS. PLEASE REFER TO DIVING BOARD MANUFACTURERS FOR CORRECT POSITIONING AND INSTALLATION OF DIVING EQUIPMENT.

