

MISCELLANEOUS INFORMATION

PERIMETER:	100'7"
SURFACE AREA:	645 SQ FT
VOLUME:	18082 IMP GALS 82273 LITER

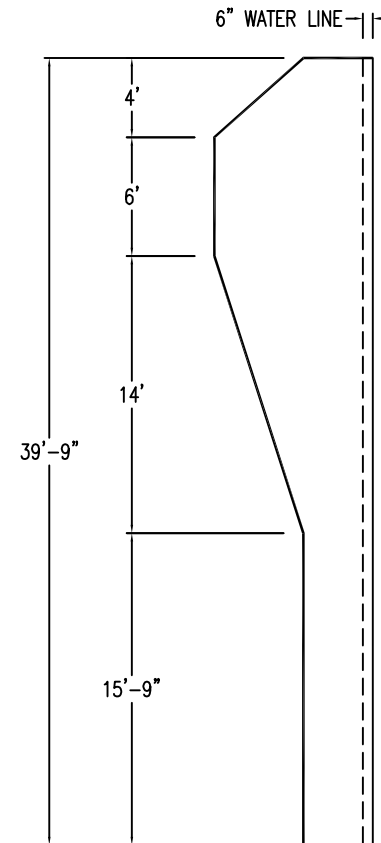
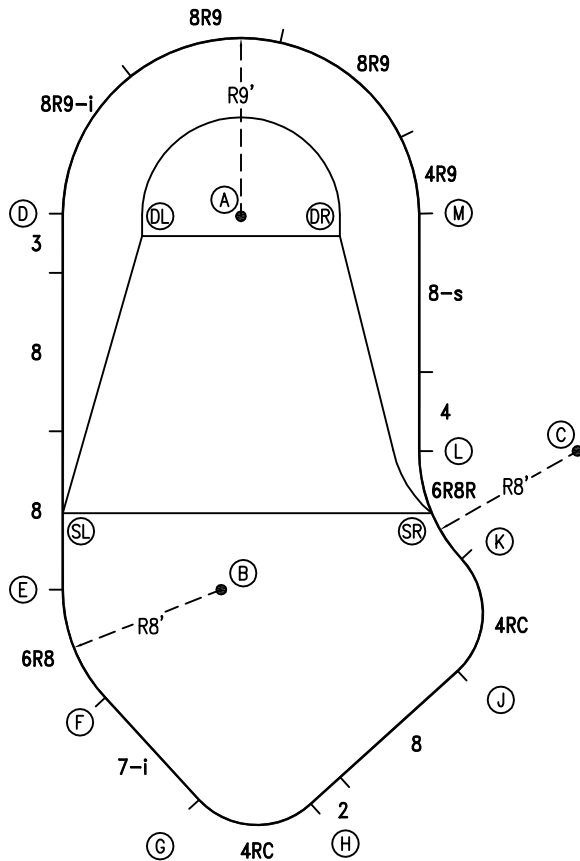
CONCRETE DECK INFO

WIDTH	AREA	NET INCREASES FOR:			
		STEPS	DIVING	SLIDE	ROLLER
2'	214	13	27	24	10
2'6"	271	17	31	20	10
3'	330	20	36	16	10

All Figures Represent "Sq Ft"

PARTS LIST

CODE	QTY	DESCRIPTION
6R8	1	6' Plain x 8' Radius
8	3	8' Plain
3	1	3' Plain
8R9-i	1	8' Return x 9' Radius
8R9	2	8' Plain x 9' Radius
4R9	1	4' Plain x 9' Radius
8-s	1	8' Skimmer
4	1	4' Plain
6R8R	1	6' Plain x 8' Reverse Radius
4RC	2	6'3" Plain x 4' Rad Cnr
2	1	2' Plain
7-i	1	7' Return
AF	16	A-Frame
S	32	Stakes
NB	96	Nuts & Bolts



INSTALLATION DATA

From Point "A" to:-		From Point "B" to:-	
B	18'-10 1/2"	B	19'-3 3/4"
C	20'-8 3/4"	C	19'-7 1/4"
D	9'-0"	D	20'-7 1/4"
E	20'-10 3/4"	E	8'-0"
F	25'-3"	F	8'-0"
G	29'-6 1/2"	G	10'-8"
H	29'-10 1/2"	H	11'-8 3/4"
J	25'-5 1/4"	J	12'-7 1/2"
K	20'-7"	K	12'-2 3/4"
L	14'-10 1/2"	L	12'-2 1/2"
M	9'-0"	M	21'-5 1/2"
SL	17'-5 3/4"	SL	8'-10 1/2"
SR	17'-9 3/4"	SR	11'-3 3/4"
DL	5'-1"	DL	18'-3 1/2"
DR	5'-1"	DR	18'-10"

NOTICE

SWIMMING POOLS AND ACCESSORIES (INCLUDING DIVING BOARDS) ARE DANGEROUS WHEN IMPROPERLY USED OR INSTALLED. IT IS THE RESPONSIBILITY OF MUNICIPAL OFFICIALS, BUILDERS AND POOL OWNERS TO ADHERE TO ALL SAFETY RECOMMENDATIONS AND STANDARDS ISSUED BY THE POOL & HOT TUB COUNCIL, LOCAL AUTHORITIES AND EQUIPMENT MANUFACTURERS. PLEASE REFER TO DIVING BOARD MANUFACTURERS FOR CORRECT POSITIONING AND INSTALLATION OF DIVING EQUIPMENT.

*ALL DIMENSIONS ARE FINISHED



