

### MISCELLANEOUS INFORMATION

PERIMETER:-	92'6-3/4
SURFACE AREA:	536.9 SQ FT
VOLUME:	15187 IMP GALS 69104 L

### CONCRETE DECK INFO

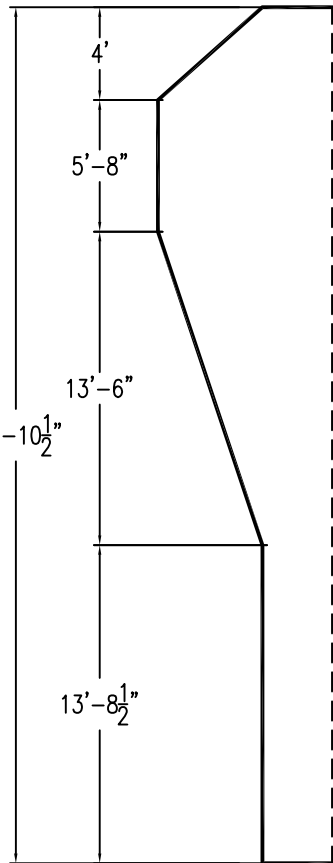
WIDTH	AREA	NET INCREASES FOR:			
		STEPS	DIVING	SLIDE	ROLLER
2'	199	13	27	24	10
2'6"	252	17	31	20	10
3'	307	20	36	16	10

All Figures Represent "Sq Ft"

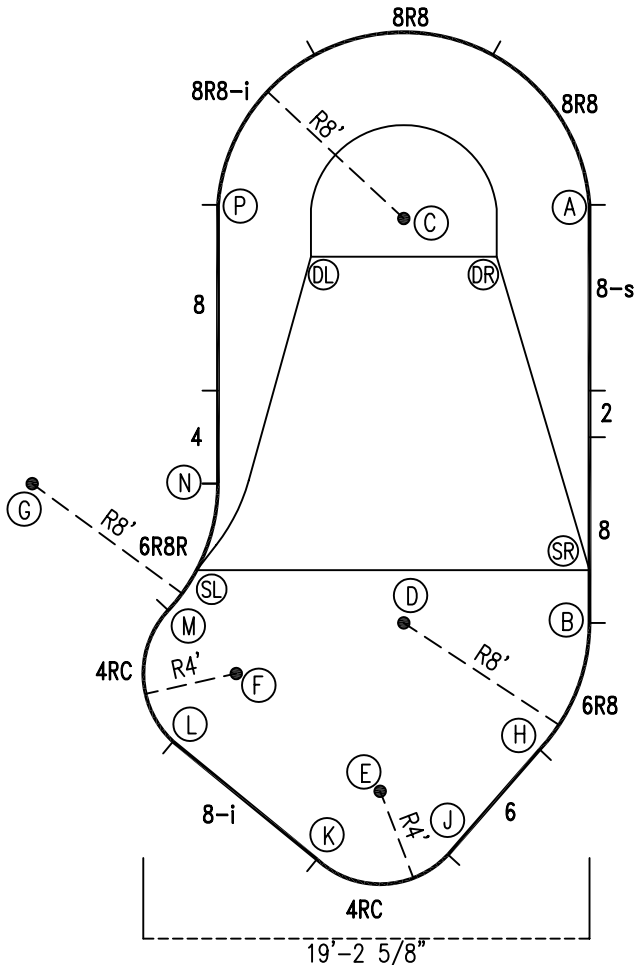
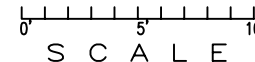
### PARTS LIST

CODE	QTY	DESCRIPTION
8-s	1	8' Skimmer
8R8-i	1	8' Return x 8' Radius
8-i	1	8' Return
8	2	8' Plain
6	1	6' Plain
4	1	4' Plain
2	1	2' Plain
8R8	2	8' Plain x 8' Radius
6R8	1	6' Plain x 8' Radius
6R8R	1	6' Plain x 8' Reverse Radius
4RC	2	6'3-3/8 Plain x 4' Rad Cnr
AF	14	A-Frame
S	28	Stake
NB	84	Nuts & Bolts

6" WATER LINE -||-



\*ALL DIMENSIONS ARE FINISHED



### INSTALLATION DATA

From Point "A" to:-		From Point "B" to:-	
B	18'-0"	B	19'-1 7/8"
C	8'-0 1/4"	C	19'-1 7/8"
D	19'-8 3/8"	D	8'-0"
E	26'-9 3/4"	E	11'-6 7/8"
F	25'-3 1/4"	F	15'-4 3/8"
G	26'-10"	G	24'-8 7/8"
H	23'-6 5/8"	H	5'-10 3/8"
J	28'-7 5/8"	J	11'-8 1/4"
K	30'-6 3/8"	K	15'-6 1/2"
L	29'-3"	L	18'-7 7/8"
M	25'-2 1/8"	M	18'-1 3/4"
N	20'-0"	N	17'-1"
P	16'-0"	P	24'-0 7/8"
SL	23'-1 1/4"	SL	2'-3 1/2"
SR	15'-8 3/4"	SR	16'-11"
DL	12'-2 1/2"	DL	14'-4 3/8"
DR	4'-6 7/8"	DR	18'-8 1/4"

### NOTICE

SWIMMING POOLS AND ACCESSORIES (INCLUDING DIVING BOARDS) ARE DANGEROUS WHEN IMPROPERLY USED OR INSTALLED. IT IS THE RESPONSIBILITY OF MUNICIPAL OFFICIALS, BUILDERS AND POOL OWNERS TO ADHERE TO ALL SAFETY RECOMMENDATIONS AND STANDARDS ISSUED BY THE POOL & HOT TUB COUNCIL, LOCAL AUTHORITIES AND EQUIPMENT MANUFACTURERS. PLEASE REFER TO DIVING BOARD MANUFACTURERS FOR CORRECT POSITIONING AND INSTALLATION OF DIVING EQUIPMENT.

HIGHBURY POOLS LTD

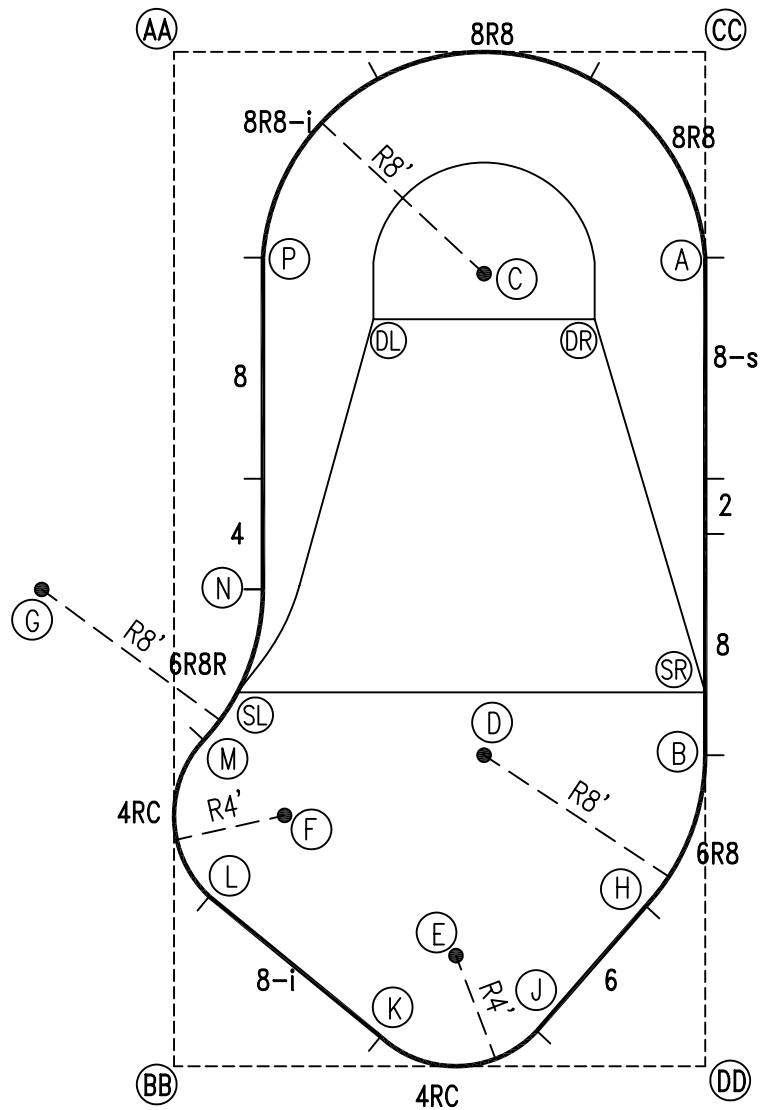
BAHAMA - LEFT 16 x 19 x 37

DRAWING REFERENCE #  
2-19-37-1

DRAWN BY: JB  
REV. 15 NOV 2006  
SHEET 1 OF 2

### EXTERNAL INSTALLATION DATA

AA TO:	BB TO:	CC TO:	DD TO:
AA	AA 36'-8 1/4"	AA 19'-2 5/8"	AA 41'-4 7/8"
BB	BB ---	BB 41'-4 7/8"	BB 19'-2 5/8"
CC	CC ---	CC ---	CC 36'-8 1/4"
A	A 20'-7 1/4"	A 35'-0"	A 7'-5 1/4"
B	B 31'-10 1/2"	B 22'-3 1/4"	B 25'-5 1/4"
C	C 13'-9 1/2"	C 30'-9 3/8"	C 11'-3 7/8"
D	D 27'-9 5/8"	D 15'-10 5/8"	D 26'-7 7/8"
E	E 34'-2 7/8"	E 10'-11 1/2"	E 33'-10 7/8"
F	F 27'-10 7/8"	F 9'-10 7/8"	F 31'-6 3/8"
G	G 20'-0 1/4"	G 17'-10 3/4"	G 30'-10 5/8"
H	H 35'-3 1/2"	H 18'-0 1/4"	H 30'-11 5/8"
J	J 37'-9 1/4"	J 13'-2 1/4"	J 35'-11 1/4"
K	K 36'-4 3/4"	K 7'-6 5/8"	K 37'-6"
L	L 30'-6 7/8"	L 6'-3 1/4"	L 35'-5 1/8"
M	M 24'-10 7/8"	M 11'-10 1/8"	M 30'-9 5/8"
N	N 19'-8 3/8"	N 17'-6 5/8"	N 25'-2 1/8"
P	P 8'-1 1/4"	P 29'-5 1/8"	P 17'-7 3/4"
SL	SL 23'-3 3/8"	SL 13'-8 5/8"	SL 28'-8 1/4"
SR	SR 30'-1 1/8"	SR 23'-5 7/8"	SR 23'-2"
DL	DL 12'-0 3/4"	DL 27'-11 5/8"	DL 15'-4 7/8"
DR	DR 18'-0 1/4"	DR 31'-0 1/8"	DR 10'-5 1/2"



### NOTICE

SWIMMING POOLS AND ACCESSORIES (INCLUDING DIVING BOARDS) ARE DANGEROUS WHEN IMPROPERLY USED OR INSTALLED. IT IS THE RESPONSIBILITY OF MUNICIPAL OFFICIALS, BUILDERS AND POOL OWNERS TO ADHERE TO ALL SAFETY RECOMMENDATIONS AND STANDARDS ISSUED BY THE POOL & HOT TUB COUNCIL, LOCAL AUTHORITIES AND EQUIPMENT MANUFACTURERS. PLEASE REFER TO DIVING BOARD MANUFACTURERS FOR CORRECT POSITIONING AND INSTALLATION OF DIVING EQUIPMENT.

**HIGHBURY POOLS LTD**

BAHAMA - LEFT 16x19x37

DRAWING REFERENCE #  
2-19-37-1

DRAWN BY: JB  
REV. 15 NOV 2006  
SHEET 2 OF 2