

MISCELLANEOUS INFORMATION

PERIMETER:-	100'6-3/4
SURFACE AREA:	645.0 SQ FT
VOLUME:	18312 IMP GALS 83320L

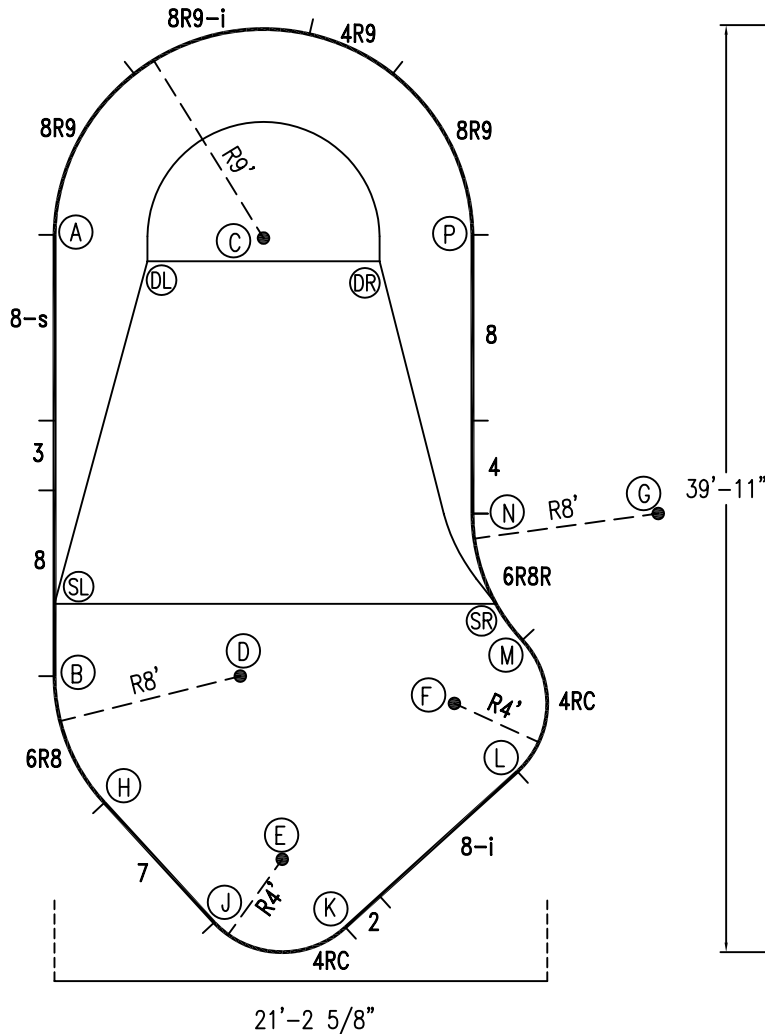
CONCRETE DECK INFO

WIDTH	AREA	NET INCREASES FOR:			
		STEPS	DIVING	SLIDE	ROLLER
2'	214	13	27	24	10
2'6"	271	17	31	20	10
3'	330	20	36	16	10

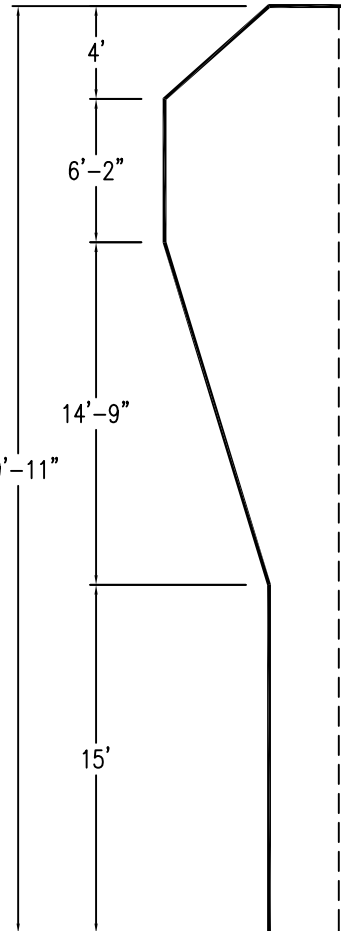
All Figures Represent "Sq Ft"

PARTS LIST

CODE	QTY	DESCRIPTION
8-s	1	8' Skimmer
8R9-i	1	8' Return x 9' Radius
8-i	1	8' Return
8	2	8' Plain
7	1	7' Plain
4	1	4' Plain
3	1	3' Plain
2	1	2' Plain
8R9	2	8' Plain x 9' Radius
4R9	1	4' Plain x 9' Radius
6R8	1	6' Plain x 8' Radius
6R8R	1	6' Plain x 8' Reverse Radius
4RC	2	6'3-3/8 Plain x 4' Rad Cnr
AF	16	A-Frame
S	32	Stake
NB	96	Nuts & Bolts



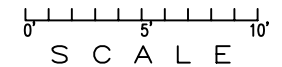
6" WATER LINE -|-



*ALL DIMENSIONS ARE FINISHED

INSTALLATION DATA

From Point "A" to:-		From Point "B" to:-	
B	19'-0"	B	
C	9'-0"	C	20'-10 3/4"
D	20'-7 3/8"	D	8'-0"
E	28'-7 1/2"	E	12'-7"
F	26'-6 1/4"	F	17'-3 1/8"
G	28'-7 5/8"	G	26'-11 1/8"
H	24'-6 5/8"	H	5'-10 3/8"
J	30'-4 7/8"	J	12'-7 3/4"
K	32'-4 1/8"	K	16'-6 5/8"
L	30'-6 1/4"	L	20'-4 1/4"
M	26'-7 7/8"	M	20'-2 1/2"
N	21'-7 5/8"	N	19'-3 3/4"
P	18'-0"	P	26'-2"
SL	15'-10 5/8"	SL	3'-1 3/8"
SR	24'-9 1/4"	SR	19'-3 1/8"
DL	4'-1 7/8"	DL	18'-3 5/8"
DR	14'-0 1/2"	DR	22'-8 3/8"



NOTICE

SWIMMING POOLS AND ACCESSORIES (INCLUDING DIVING BOARDS) ARE DANGEROUS WHEN IMPROPERLY USED OR INSTALLED. IT IS THE RESPONSIBILITY OF MUNICIPAL OFFICIALS, BUILDERS AND POOL OWNERS TO ADHERE TO ALL SAFETY RECOMMENDATIONS AND STANDARDS ISSUED BY THE POOL & HOT TUB COUNCIL, LOCAL AUTHORITIES AND EQUIPMENT MANUFACTURERS. PLEASE REFER TO DIVING BOARD MANUFACTURERS FOR CORRECT POSITIONING AND INSTALLATION OF DIVING EQUIPMENT.

