

MISCELLANEOUS INFORMATION

PERIMETER:	78'3"
SURFACE AREA:	387 SQ FT
VOLUME:	8843 IMP GALS 40236 LITER

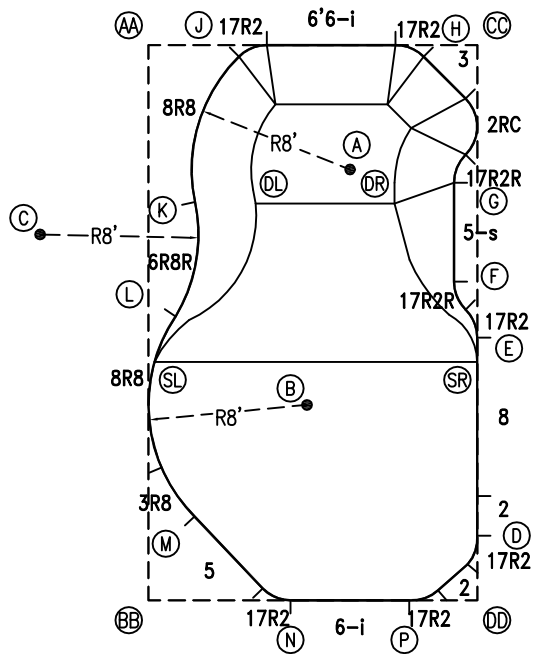
CONCRETE DECK INFO

WIDTH	AREA	NET INCREASES FOR:			
		STEPS	DIVING	SLIDE	ROLLER
2'	169	13	27	24	10
2'6"	215	17	31	20	10
3'	263	20	36	16	10

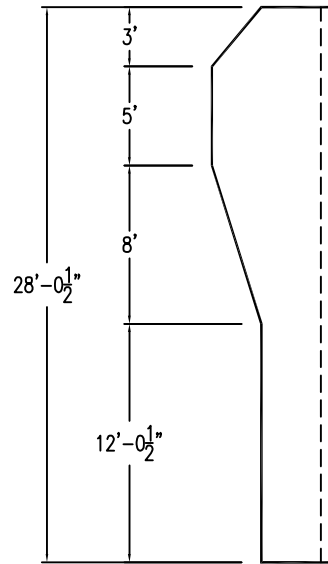
All Figures Represent "Sq Ft"

PARTS LIST

CODE	QTY	DESCRIPTION
17R2	6	1'7" Plain x 2' Radius
8	1	8' Plain
2	2	2' Plain
6-i	1	6' Return
5	1	5' Plain
3R8	1	3' Plain x 8' Radius
8R8	2	8' Plain x 8' Radius
6R8R	1	6' Plain x 8' Reverse Radius
6'6-i	1	6'6" Return
3	1	3' Plain
2RC	1	3'2" Plain x 2' Rad Cnr
17R2R	2	1'7" Plain x 2' Reverse Radius
5-s	1	5' Skimmer
AF	21	A-Frame
S	42	Stakes
NB	126	Nuts & Bolts



6" WATER LINE

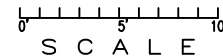


INSTALLATION DATA

From Point "A" to:-		From Point "B" to:-	
B	12'-1"	B	16'-0"
C	16'-0"	C	16'-0"
D	19'-6 3/4"	D	10'-10"
E	10'-7 3/4"	E	9'-2 3/4"
F	7'-8 3/4"	F	9'-8 1/4"
G	5'-3 1/2"	G	13'-5 1/2"
H	6'-9 1/2"	H	18'-6 1/2"
J	8'-0"	J	17'-11"
K	8'-0"	K	11'-8 1/2"
L	11'-6 1/4"	L	8'-0"
M	19'-2 1/2"	M	8'-0"
N	21'-11 1/2"	N	9'-10 3/4"
P	21'-11 1/2"	P	11'-1 3/4"
SL	13'-10 1/4"	SL	8'-0"
SR	11'-7 3/4"	SR	8'-10 1/2"
DL	5'-0 3/4"	DL	10'-6"
DR	2'-9 3/4"	DR	11'-1 1/4"

16'-7 1/2"

*ALL DIMENSIONS ARE FINISHED



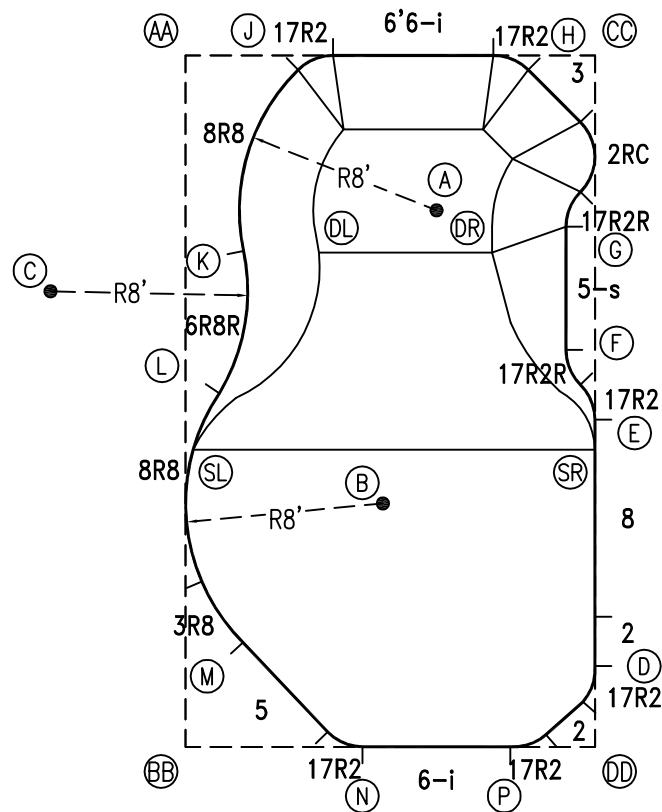
NOTICE

SWIMMING POOLS AND ACCESSORIES (INCLUDING DIVING BOARDS) ARE DANGEROUS WHEN IMPROPERLY USED OR INSTALLED. IT IS THE RESPONSIBILITY OF MUNICIPAL OFFICIALS, BUILDERS AND POOL OWNERS TO ADHERE TO ALL SAFETY RECOMMENDATIONS AND STANDARDS ISSUED BY THE POOL & HOT TUB COUNCIL, LOCAL AUTHORITIES AND EQUIPMENT MANUFACTURERS. PLEASE REFER TO DIVING BOARD MANUFACTURERS FOR CORRECT POSITIONING AND INSTALLATION OF DIVING EQUIPMENT.

PERIMETER: 78'3"

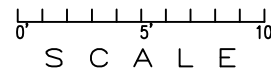
EXTERNAL INSTALLATION DATA

AA TO:	BB TO:	CC TO:	DD TO:
AA --	AA 28'-0 1/2"	AA 16'-7 1/4"	AA 32'-7 1/4"
BB --	BB --	BB 32'-7 1/4"	BB 16'-7 1/4"
CC --	CC --	CC --	CC 28'-0 1/2"
A 11'-11 1/2"	A 24'-0 1/4"	A 8'-11 3/4"	A 22'-8 1/4"
B 19'-10 1/4"	B 12'-8 1/2"	B 20'-1 1/4"	B 13'-1 1/4"
C 11'-0 1/4"	C 19'-3 1/4"	C 24'-0 3/4"	C 28'-9 1/2"
D 29'-9 3/4"	D 16'-11"	D 24'-9 1/4"	D 3'-3 1/4"
E 22'-2 3/4"	E 21'-3"	E 14'-9 1/4"	E 13'-3 1/4"
F 19'-6 1/4"	F 22'-3 1/2"	F 12'-0"	F 16'-1 3/4"
G 16'-11"	G 26'-1 3/4"	G 7'-0 1/2"	G 21'-1 1/2"
H 13'-10 3/4"	H 30'-9 1/4"	H 2'-9 1/4"	H 27'-7 1/4"
J 4'-7 1/4"	J 27'-10"	J 12'-0 1/2"	J 29'-11 3/4"
K 8'-3 1/4"	K 20'-3"	K 16'-3 3/4"	K 24'-7 3/4"
L 13'-9 1/4"	L 14'-4 3/4"	L 20'-5 3/4"	L 20'-11"
M 23'-11"	M 4'-10"	M 27'-9 1/4"	M 14'-10 3/4"
N 28'-11 1/4"	N 7'-2"	N 29'-7"	N 9'-5 1/4"
P 30'-11 3/4"	P 13'-2"	P 28'-3"	P 3'-5 1/4"
SL 16'-0"	SL 12'-0 1/2"	SL 22'-10"	SL 20'-3 1/4"
SR 23'-0 1/2"	SR 20'-6"	SR 16'-0"	SR 12'-0 1/2"
DL 9'-7 3/4"	DL 20'-9 1/4"	DL 13'-9"	DL 22'-11 1/2"
DR 14'-9 1/4"	DR 23'-7"	DR 9'-0 1/4"	DR 20'-5 3/4"



DIAGONALS

From Point "D" to:-	From Point "E" to:-
E 10'-0"	E 3'-0 3/4"
F 12'-10 5/8"	F 7'-10 7/8"
G 17'-10 3/8"	G 14'-5 3/8"
H 24'-4 1/8"	H 18'-7 3/8"
J 27'-0 1/4"	J 15'-9 3/4"
K 22'-0 7/8"	L 15'-3 1/4"
L 18'-10"	M 16'-10 3/4"
M 14'-3 3/4"	N 16'-3 3/8"
N 9'-11 7/8"	P 13'-8 1/2"
P 4'-8 7/8"	



NOTICE

SWIMMING POOLS AND ACCESSORIES (INCLUDING DIVING BOARDS) ARE DANGEROUS WHEN IMPROPERLY USED OR INSTALLED. IT IS THE RESPONSIBILITY OF MUNICIPAL OFFICIALS, BUILDERS AND POOL OWNERS TO ADHERE TO ALL SAFETY RECOMMENDATIONS AND STANDARDS ISSUED BY THE POOL & HOT TUB COUNCIL, LOCAL AUTHORITIES AND EQUIPMENT MANUFACTURERS. PLEASE REFER TO DIVING BOARD MANUFACTURERS FOR CORRECT POSITIONING AND INSTALLATION OF DIVING EQUIPMENT.

HIGHBURY POOLS LTD

BARBADOS - RIGHT 13 x 17 x 28

DRAWING REFERENCE #
3-17-28-2

DRAWN BY: JK
REV. 21 AUG 13
SHEET 2 OF 2