

MISCELLANEOUS INFORMATION

PERIMETER:	87'9"
SURFACE AREA:	488 SQ FT
VOLUME:	14136 IMP GALS 64319 LITER

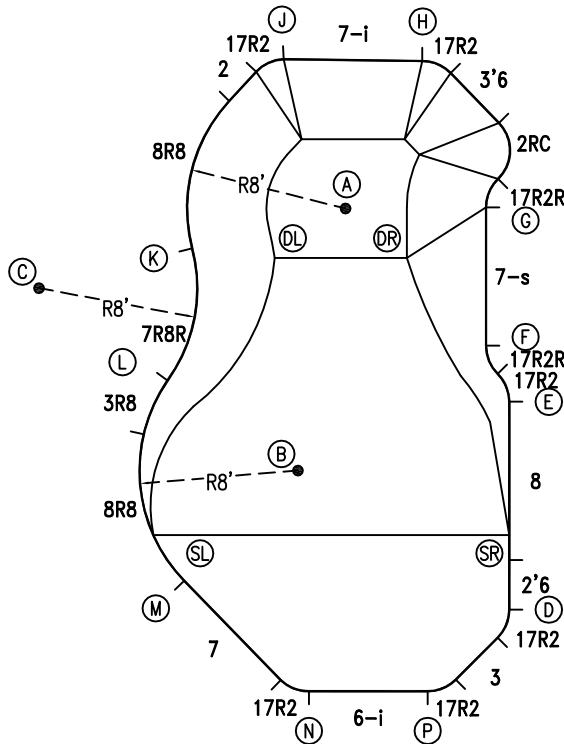
CONCRETE DECK INFO

WIDTH	AREA	NET INCREASES FOR:			
		STEPS	DIVING	SLIDE	ROLLER
2'	188	13	27	24	10
2'6"	239	17	31	20	10
3'	291	20	36	16	10

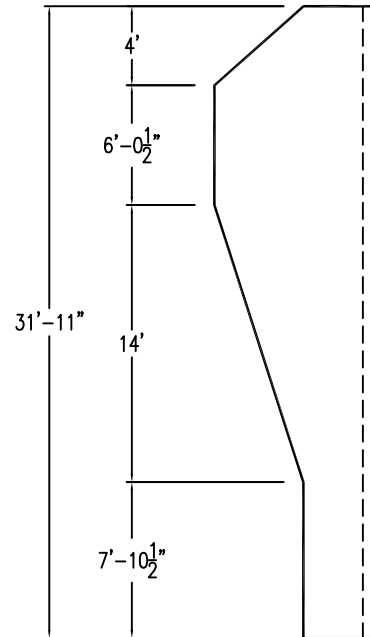
All Figures Represent "Sq Ft"

PARTS LIST

CODE	QTY	DESCRIPTION
17R2	6	1'7" Plain x 2' Radius
8	1	8' Plain
2'6	1	2'6" Plain
3	1	3' Plain
6-i	1	6' Return
7	1	7' Plain
8R8	2	8' Plain x 8' Radius
3R8	1	3' Plain x 8' Radius
7R8R	1	7' Plain x 8' Reverse Radius
2	1	2' Plain
7-i	1	7' Return
3'6	1	3'6" Plain
2RC	1	3'2" Plain x 2' Rad Cnr
17R2R	2	1'7" Plain x 2' Reverse Radius
7-s	1	7' Skimmer
AF	22	A-Frame
S	44	Stakes
NB	132	Nuts & Bolts



6" WATER LINE

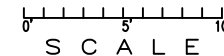


INSTALLATION DATA

From Point "A" to:-		From Point "B" to:-	
B	13'-5 1/2"	B	16'-0"
C	16'-0"	C	16'-0"
D	21'-10 1/2"	D	12'-9 1/4"
E	12'-9 1/2"	E	11'-2 3/4"
F	9'-11"	F	11'-4 3/4"
G	7'-1 1/4"	G	16'-4"
H	8'-4 3/4"	H	21'-7 1/4"
J	8'-1 3/4"	J	20'-9 1/2"
K	8'-0"	K	12'-5"
L	12'-5 3/4"	L	8'-0"
M	20'-5 3/4"	M	8'-0"
N	24'-5 1/2"	N	11'-2"
P	24'-8 3/4"	P	12'-11 1/4"
SL	19'-1 3/4"	SL	7'-11 3/4"
SR	18'-5 1/2"	SR	11'-1 3/4"
DL	4'-4 1/4"	DL	10'-9 1/2"
DR	3'-11 3/4"	DR	12'-0 3/4"

18'-8 1/2"

*ALL DIMENSIONS ARE FINISHED



NOTICE

SWIMMING POOLS AND ACCESSORIES (INCLUDING DIVING BOARDS) ARE DANGEROUS WHEN IMPROPERLY USED OR INSTALLED. IT IS THE RESPONSIBILITY OF MUNICIPAL OFFICIALS, BUILDERS AND POOL OWNERS TO ADHERE TO ALL SAFETY RECOMMENDATIONS AND STANDARDS ISSUED BY THE POOL & HOT TUB COUNCIL, LOCAL AUTHORITIES AND EQUIPMENT MANUFACTURERS. PLEASE REFER TO DIVING BOARD MANUFACTURERS FOR CORRECT POSITIONING AND INSTALLATION OF DIVING EQUIPMENT.

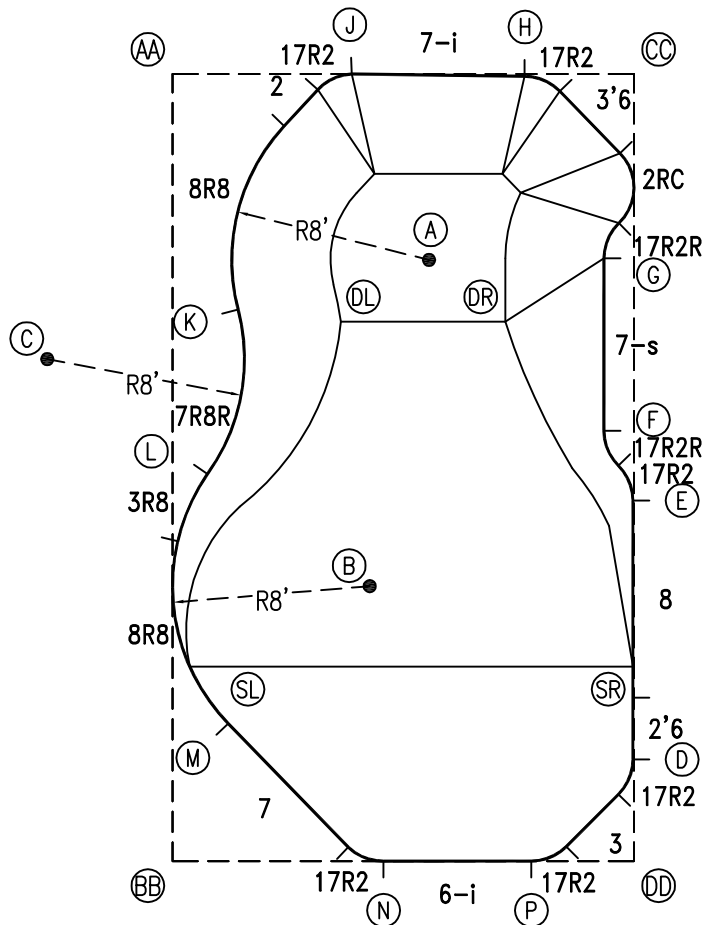
HIGHBURY POOLS LTD

BARBADOS - RIGHT 15 x 19 x 32

DRAWING REFERENCE #
3-19-32-2

DRAWN BY: JK
REV. 13 JUN 13
SHEET 1 OF 2

PERIMETER: 87'9"

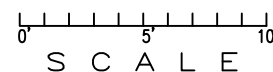


EXTERNAL INSTALLATION DATA

AA TO:	BB TO:	CC TO:	DD TO:
AA ---	AA 31'-11 1/4"	AA 18'-8 1/2"	AA 37'-0"
BB ---	BB ---	BB 37'-0"	BB 18'-8 1/2"
CC ---	CC ---	CC ---	CC 31'-11 1/4"
A 12'-10 1/4"	A 26'-6 1/4"	A 11'-2 3/4"	A 25'-9 1/4"
B 22'-3 1/4"	B 13'-8 3/4"	B 23'-4 1/2"	B 15'-5 1/2"
C 12'-7 1/2"	C 20'-11 3/4"	C 26'-5 1/2"	C 31'-3 3/4"
D 33'-5 3/4"	D 19'-1 1/2"	D 27'-9 3/4"	D 4'-1 1/2"
E 25'-5 1/2"	E 23'-8 1/2"	E 17'-3 1/2"	E 14'-7 1/2"
F 22'-8 1/2"	F 24'-8 1/2"	F 14'-6 1/4"	F 17'-5 3/4"
G 19'-0 1/4"	G 30'-0 3/4"	G 7'-6 3/4"	G 24'-5 3/4"
H 14'-3 1/4"	H 34'-10 3/4"	H 4'-5 1/4"	H 32'-1 3/4"
J 7'-3 1/4"	J 32'-9"	J 11'-5 1/4"	J 33'-11"
K 9'-11"	K 22'-6 1/4"	K 18'-8 1/4"	K 27'-6 1/2"
L 16'-3 1/2"	L 15'-9 1/4"	L 23'-8 1/2"	L 23'-4 1/4"
M 26'-5 1/4"	M 6'-0 1/4"	M 31'-0 3/4"	M 17'-4 1/2"
N 33'-0 3/4"	N 8'-6 1/2"	N 33'-6"	N 10'-1 3/4"
P 35'-1"	P 14'-6 1/2"	P 32'-2 1/4"	P 4'-1 3/4"
SL 24'-0 1/2"	SL 7'-11"	SL 30'-0 1/2"	SL 19'-7 3/4"
SR 30'-5 1/4"	SR 20'-3 1/4"	SR 24'-0 1/2"	SR 7'-10 1/2"
DL 12'-1 3/4"	DL 22'-11"	DL 15'-6 3/4"	DL 24'-10 3/4"
DR 16'-9 3/4"	DR 25'-8 1/2"	DR 11'-3 3/4"	DR 22'-5 3/4"

DIAGONALS

From Point "D" to:-	From Point "E" to:-
E 10'-6"	E
F 13'-4 5/8"	F 3'-0 3/4"
G 20'-4 3/8"	G 9'-10 3/4"
H 28'-0 3/4"	H 17'-9 1/8"
J 30'-0 5/8"	J 20'-8 5/8"
K 24'-3 3/8"	K 17'-9 1/2"
L 20'-9 3/8"	L 17'-3 1/2"
M 16'-5 3/4"	M 18'-8 7/8"
N 10'-11 1/8"	N 17'-9 3/8"
P 5'-9 7/8"	P 15'-2 3/8"



NOTICE

SWIMMING POOLS AND ACCESSORIES (INCLUDING DIVING BOARDS) ARE DANGEROUS WHEN IMPROPERLY USED OR INSTALLED. IT IS THE RESPONSIBILITY OF MUNICIPAL OFFICIALS, BUILDERS AND POOL OWNERS TO ADHERE TO ALL SAFETY RECOMMENDATIONS AND STANDARDS ISSUED BY THE POOL & HOT TUB COUNCIL, LOCAL AUTHORITIES AND EQUIPMENT MANUFACTURERS. PLEASE REFER TO DIVING BOARD MANUFACTURERS FOR CORRECT POSITIONING AND INSTALLATION OF DIVING EQUIPMENT.

HIGHBURY POOLS LTD

BARBADOS - RIGHT 15 x 19 x 32

DRAWING REFERENCE #
3-19-32-2

DRAWN BY: JK
REV. 13 JUN 13
SHEET 2 OF 2