

### MISCELLANEOUS INFORMATION

PERIMETER:-	98'10"
SURFACE AREA:	631.4 SQ FT
VOLUME:	17740 IMP GALS 80718 L

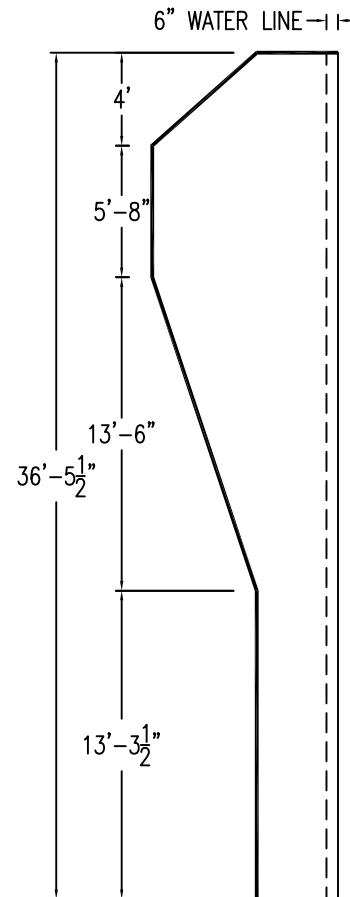
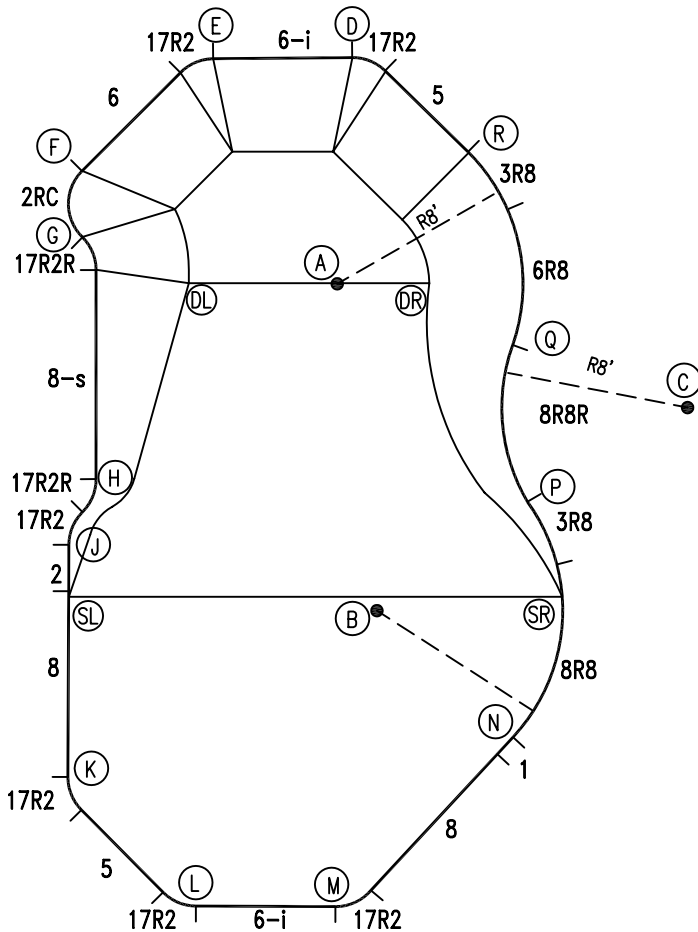
### CONCRETE DECK INFO

WIDTH	AREA	NET INCREASES FOR:			
		STEPS	DIVING	SLIDE	ROLLER
2'	210	13	27	24	10
2'6"	267	17	31	20	10
3'	325	20	36	16	10

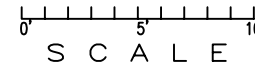
All Figures Represent "Sq Ft"

### PARTS LIST

CODE	QTY	DESCRIPTION
8-s	1	8' Skimmer
6-i	2	6' Return
8	2	8' Plain
6	1	6' Plain
5	2	5' Plain
2	1	2' Plain
1	1	1' Plain
8R8	1	8' Plain x 8' Rad
3R8	2	3' Plain x 8' Rad
2RC	1	3'2 Plain x 2' Rad Cnr
17R2	6	1'7 Plain x 2' Rad
8R8R	1	8' Plain x 8' Reverse Rad
17R2R	2	1'7 Plain x 2' Reverse Rad
6R8	1	6' Plain x 8' Rad
AF	24	A-Frame
S	48	Stake
NB	144	Nuts & Bolts



\*ALL DIMENSIONS ARE FINISHED



### INSTALLATION DATA

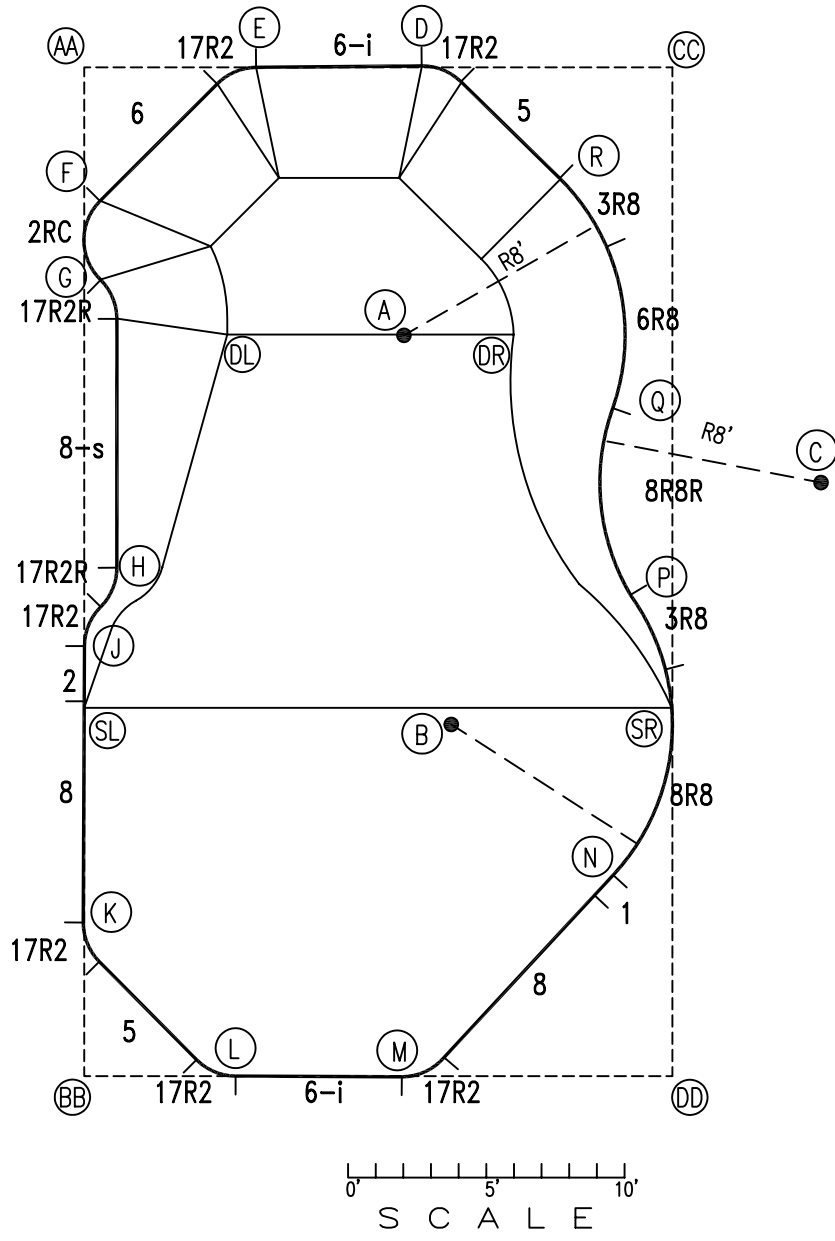
From Point "A" to:-		From Point "B" to:-	
B	14'-2 1/8"	B	
C	16'-0"	C	15'-11 3/4"
D	9'-8 1/2"	D	23'-9 1/2"
E	11'-0 7/8"	E	24'-9 1/2"
F	12'-0 1/8"	F	22'-9 5/8"
G	11'-1 7/8"	G	20'-5 3/4"
H	13'-4 3/8"	H	13'-4 1/4"
J	16'-1 1/2"	J	13'-6 3/4"
K	24'-2 3/8"	K	15'-1 3/8"
L	27'-5 3/4"	L	14'-11"
M	26'-9 7/8"	M	12'-10 3/8"
N	20'-11 1/4"	N	8'-0"
P	12'-5 1/2"	P	8'-0"
Q	8'-0"	Q	12'-10 1/4"
R	8'-0"	R	20'-1 3/4"
SL	17'-9 1/8"	SL	13'-3 3/8"
SR	16'-7 1/8"	SR	8'-0"
DL	6'-4 3/4"	DL	16'-3 1/8"
DR	3'-11 5/8"	DR	14'-3 3/8"

### NOTICE

SWIMMING POOLS AND ACCESSORIES (INCLUDING DIVING BOARDS) ARE DANGEROUS WHEN IMPROPERLY USED OR INSTALLED. IT IS THE RESPONSIBILITY OF MUNICIPAL OFFICIALS, BUILDERS AND POOL OWNERS TO ADHERE TO ALL SAFETY RECOMMENDATIONS AND STANDARDS ISSUED BY THE POOL & HOT TUB COUNCIL, LOCAL AUTHORITIES AND EQUIPMENT MANUFACTURERS. PLEASE REFER TO DIVING BOARD MANUFACTURERS FOR CORRECT POSITIONING AND INSTALLATION OF DIVING EQUIPMENT.

EXTERNAL INSTALLATION DATA

AA TO:	BB TO:	CC TO:	DD TO:
AA ---	AA 36'-5 7/8"	AA 21'-3 1/4"	AA 42'-2 7/8"
BB ---	BB ---	BB 42'-2 7/8"	BB 21'-3 1/4"
CC ---	CC ---	CC ---	CC 36'-5 7/8"
A 15'-1"	A 29'-2 1/4"	A 13'-8 5/8"	A 28'-6"
B 27'-2 5/8"	B 18'-4 5/8"	B 25'-0 7/8"	B 15'-0 3/8"
C 30'-7 1/8"	C 34'-2 5/8"	C 15'-11 1/2"	C 22'-1 1/2"
D 12'-2 1/2"	D 38'-6 1/4"	D 9'-0 3/4"	D 37'-7 3/4"
E 6'-2 5/8"	E 37'-0 1/8"	E 15'-0 3/4"	E 39'-5 5/8"
F 4'-10 3/8"	F 31'-7 7/8"	F 21'-3"	F 37'-9 7/8"
G 7'-8 3/8"	G 28'-9 7/8"	G 22'-0 3/4"	G 35'-5 5/8"
H 18'-1 5/8"	H 18'-5 1/8"	H 27'-0 1/2"	H 27'-2 7/8"
J 20'-11 1/8"	J 15'-6 5/8"	J 29'-10 1/8"	J 26'-4 1/8"
K 30'-11 1/8"	K 5'-6 5/8"	K 37'-6 3/4"	K 22'-0 1/4"
L 36'-10 3/4"	L 5'-5 5/8"	L 39'-9 1/8"	L 15'-9 5/8"
M 38'-3 1/4"	M 11'-5 3/4"	M 37'-9 5/8"	M 9'-9 1/2"
N 34'-11"	N 20'-5 5/8"	N 29'-3 1/2"	N 7'-6 7/8"
P 27'-5 1/2"	P 26'-3 7/8"	P 19'-1 5/8"	P 17'-5 3/4"
Q 22'-8 7/8"	Q 30'-9 3/4"	Q 12'-6 1/8"	Q 24'-3 1/8"
R 17'-7 7/8"	R 36'-8"	R 5'-9 1/2"	R 32'-7 7/8"
SL 23'-2"	SL 13'-3 7/8"	SL 31'-5 3/8"	SL 25'-1 1/8"
SR 31'-5 1/4"	SR 25'-0 7/8"	SR 23'-2"	SR 13'-3 7/8"
DL 10'-11 1/2"	DL 27'-3 3/4"	DL 18'-9 3/8"	DL 31'-3 3/8"
DR 18'-3 1/2"	DR 30'-11 7/8"	DR 11'-2 7/8"	DR 27'-5 1/8"



NOTICE

SWIMMING POOLS AND ACCESSORIES (INCLUDING DIVING BOARDS) ARE DANGEROUS WHEN IMPROPERLY USED OR INSTALLED. IT IS THE RESPONSIBILITY OF MUNICIPAL OFFICIALS, BUILDERS AND POOL OWNERS TO ADHERE TO ALL SAFETY RECOMMENDATIONS AND STANDARDS ISSUED BY THE POOL & HOT TUB COUNCIL, LOCAL AUTHORITIES AND EQUIPMENT MANUFACTURERS. PLEASE REFER TO DIVING BOARD MANUFACTURERS FOR CORRECT POSITIONING AND INSTALLATION OF DIVING EQUIPMENT.

HIGHBURY POOLS LTD

BARBADOS-LEFT 18'4x21x36

DRAWING REFERENCE #  
3-21-36-1

DRAWN BY: BC  
REV. 08 FEB 2007  
SHEET 2 OF 2