

MISCELLANEOUS INFORMATION

PERIMETER:-	107'4"
SURFACE AREA:	739.2 SQ FT
VOLUME:	21685 IMP GALS 98668 L

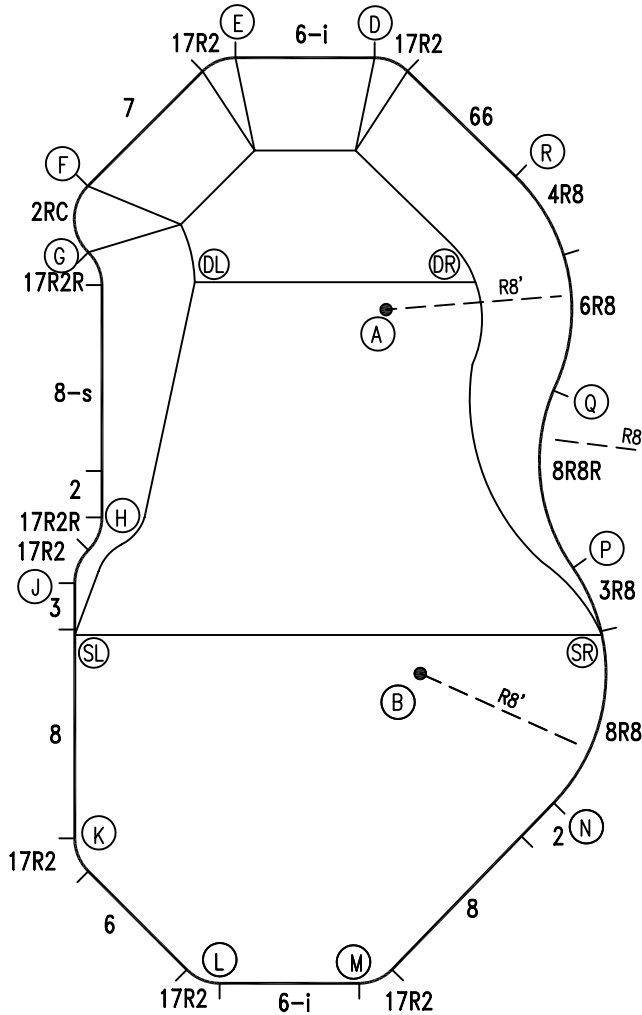
CONCRETE DECK INFO

WIDTH	AREA	NET INCREASES FOR:			
		STEPS	DIVING	SLIDE	ROLLER
2'	227	13	27	24	10
2'6"	288	17	31	20	10
3'	350	20	36	16	10

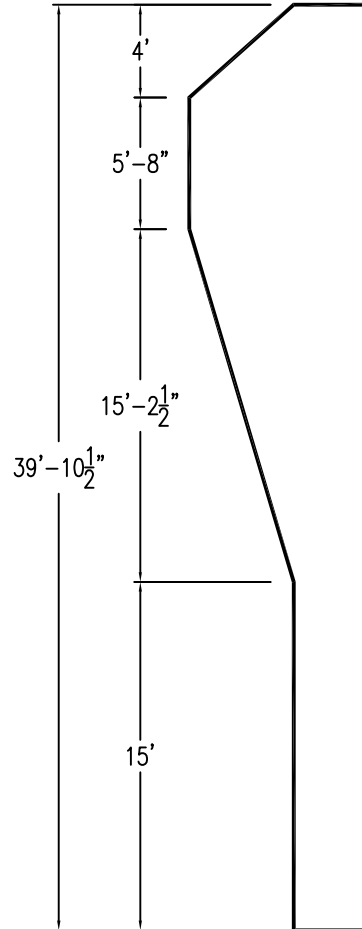
All Figures Represent "Sq Ft"

PARTS LIST

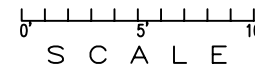
CODE	QTY	DESCRIPTION
8-s	1	8' Skimmer
6-i	2	6' Return
8	2	8' Plain
7	1	7' Plain
66	1	6'6" Plain
6	1	6' Plain
3	1	3' Plain
2	2	2' Plain
8R8	1	8' Plain x 8' Rad
6R8	1	6' Plain x 8' Rad
4R8	1	4' Plain x 8' Rad
3R8	1	3' Plain x 8' Rad
2RC	1	3'2" Plain x 2' Rad Cnr
17R2	6	1'7" Plain x 2' Rad
8R8R	1	8' Plain x 8' Reverse Rad
17R2R	2	1'7" Plain x 2' Reverse Rad
AF	25	A-Frame
S	50	Stake
NB	150	Nuts & Bolts



6" WATER LINE - I -



*ALL DIMENSIONS ARE FINISHED



INSTALLATION DATA

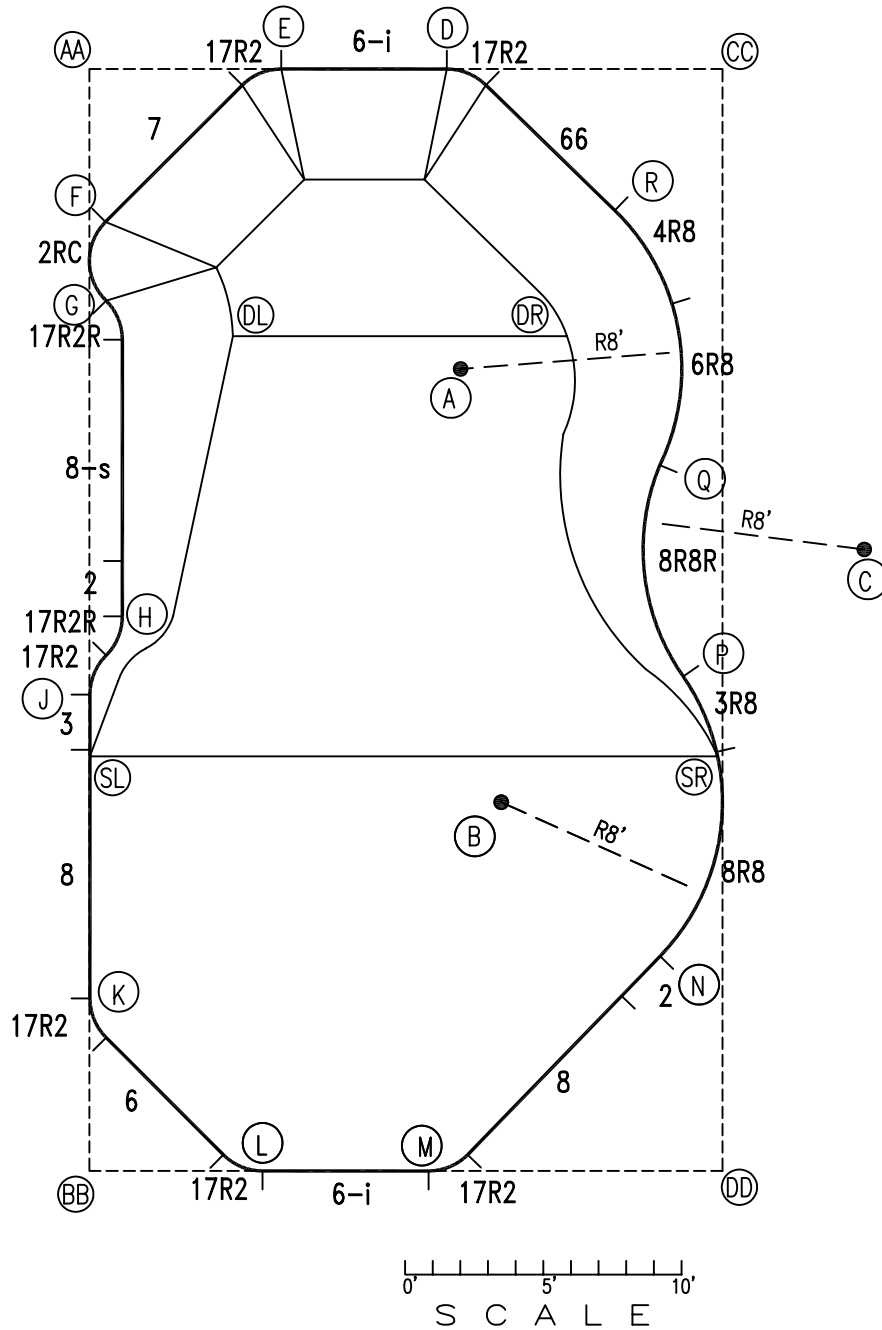
From Point "A" to:-		From Point "B" to:-	
B	15'-8 7/8"	B	16'-0"
C	15'-11 7/8"	C	26'-0"
D	10'-10 3/8"	D	26'-7 1/8"
E	12'-7 3/4"	E	27'-8 1/4"
F	13'-10 7/8"	F	25'-4 7/8"
G	13'-0 3/4"	G	23'-1 1/8"
H	15'-1 7/8"	H	15'-3 1/4"
J	17'-10 1/8"	J	15'-4 5/8"
K	26'-5 1/8"	K	16'-5 7/8"
L	29'-10 5/8"	L	15'-10 3/4"
M	29'-0 3/8"	M	13'-7 1/8"
N	22'-5 1/4"	N	8'-0"
P	13'-8 3/4"	P	8'-0"
Q	8'-0"	Q	13'-5 5/8"
R	8'-0"	R	21'-9 5/8"
SL	19'-4 3/4"	SL	14'-11 5/8"
SR	16'-9 3/4"	SR	8'-0"
DL	8'-3 7/8"	DL	19'-5 3/8"
DR	4'-0 1/4"	DR	17'-0 1/4"

NOTICE

SWIMMING POOLS AND ACCESSORIES (INCLUDING DIVING BOARDS) ARE DANGEROUS WHEN IMPROPERLY USED OR INSTALLED. IT IS THE RESPONSIBILITY OF MUNICIPAL OFFICIALS, BUILDERS AND POOL OWNERS TO ADHERE TO ALL SAFETY RECOMMENDATIONS AND STANDARDS ISSUED BY THE POOL & HOT TUB COUNCIL, LOCAL AUTHORITIES AND EQUIPMENT MANUFACTURERS. PLEASE REFER TO DIVING BOARD MANUFACTURERS FOR CORRECT POSITIONING AND INSTALLATION OF DIVING EQUIPMENT.

EXTERNAL INSTALLATION DATA

AA TO:	BB TO:	CC TO:	DD TO:
AA ---	AA 39'-10 3/8"	AA 22'-10 7/8"	AA 45'-11 5/8"
BB ---	BB ---	BB 45'-11 5/8"	BB 22'-10 7/8"
CC ---	CC ---	CC ---	CC 39'-10 3/8"
A 17'-3 1/4"	A 31'-11 5/8"	A 14'-4 7/8"	A 30'-6 1/4"
B 30'-5"	B 20'-0"	B 27'-8 3/8"	B 15'-6 5/8"
C 32'-11 3/4"	C 35'-11 1/4"	C 18'-1 3/8"	C 23'-0 3/4"
D 12'-11 1/4"	D 41'-10 7/8"	D 9'-11 5/8"	D 41'-1"
E 6'-11 3/8"	E 40'-5 1/2"	E 15'-11 1/2"	E 42'-11 1/4"
F 5'-6 3/4"	F 34'-4"	F 22'-11 7/8"	F 40'-11 3/8"
G 8'-4 7/8"	G 31'-5 7/8"	G 23'-9 3/4"	G 38'-6 7/8"
H 19'-10"	H 20'-1 1/8"	H 29'-4 1/2"	H 29'-6 3/4"
J 22'-7 1/2"	J 17'-2 3/4"	J 32'-2 3/8"	J 28'-7 7/8"
K 33'-7 1/2"	K 6'-2 7/8"	K 40'-8 1/8"	K 23'-8 7/8"
L 40'-4 1/4"	L 6'-3 1/8"	L 43'-2 3/8"	L 16'-7 5/8"
M 41'-8 1/2"	M 12'-3 1/4"	M 41'-3"	M 10'-7 1/2"
N 38'-1 7/8"	N 22'-0 5/8"	N 32'-2"	N 8'-1 1/8"
P 30'-8 3/4"	P 27'-11 1/2"	P 22'-0 1/4"	P 17'-11 3/8"
Q 25'-1 1/2"	Q 32'-9 7/8"	Q 14'-6 1/8"	Q 25'-7 1/2"
R 19'-8 1/4"	R 39'-7 1/4"	R 6'-5 1/8"	R 34'-11 5/8"
SL 24'-7 1/2"	SL 15'-2 3/4"	SL 33'-7 3/8"	SL 27'-5 7/8"
SR 33'-8 1/4"	SR 27'-2 3/4"	SR 24'-10 3/8"	SR 15'-0"
DL 10'-11 5/8"	DL 30'-7 5/8"	DL 20'-2 1/8"	DL 35'-0"
DR 19'-9 5/8"	DR 34'-9 1/2"	DR 11'-2 1/4"	DR 30'-8 1/2"



NOTICE

SWIMMING POOLS AND ACCESSORIES (INCLUDING DIVING BOARDS) ARE DANGEROUS WHEN IMPROPERLY USED OR INSTALLED. IT IS THE RESPONSIBILITY OF MUNICIPAL OFFICIALS, BUILDERS AND POOL OWNERS TO ADHERE TO ALL SAFETY RECOMMENDATIONS AND STANDARDS ISSUED BY THE POOL & HOT TUB COUNCIL, LOCAL AUTHORITIES AND EQUIPMENT MANUFACTURERS. PLEASE REFER TO DIVING BOARD MANUFACTURERS FOR CORRECT POSITIONING AND INSTALLATION OF DIVING EQUIPMENT.

HIGHBURY POOLS LTD

BARBADOS-LEFT 20'1x23x40

DRAWING REFERENCE #
3-23-40-1

DRAWN BY: BC
REV. 08 FEB 2007
SHEET 2 OF 2