

MISCELLANEOUS INFORMATION

PERIMETER:-	63'10-1/2"
SURFACE AREA:	242.3 SQ FT
VOLUME:	6212 IMP GALS 28266L

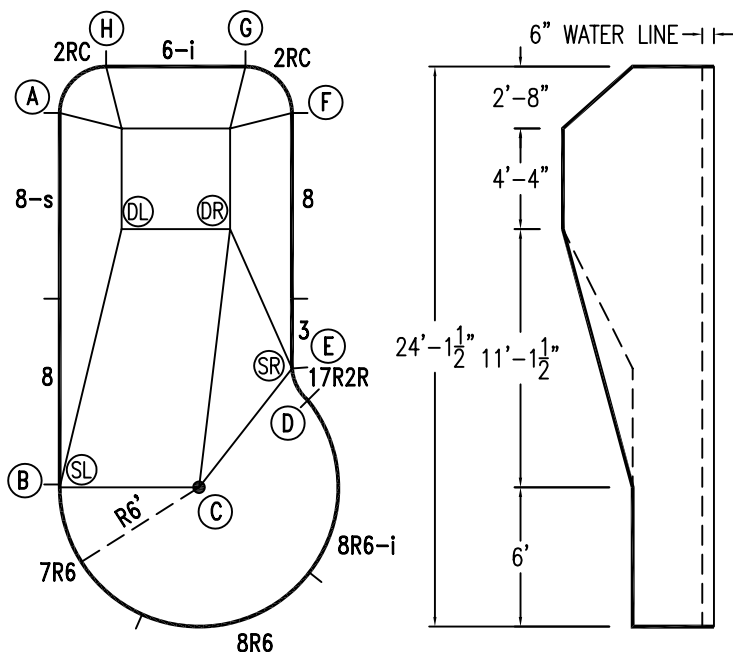
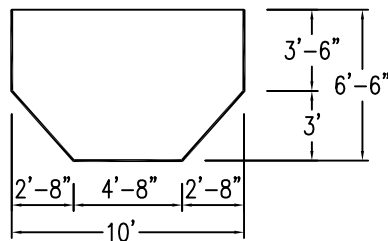
PARTS LIST

CODE	QTY	DESCRIPTION
8-s	1	8' Skim
8R6-i	1	8' Return x 6' Rad
6-i	1	6' Return
8	2	8' Plain
3	1	3' Plain
8R6	1	8' Plain x 6' Rad
7R6	1	7' Plain x 6' Rad
2RC	2	3'2 Plain x 2' Rad Cnr
17R2R	1	1'7 Plain x 2' Reverse Rad
AF	11	A-Frame
S	22	Stake
NB	66	Nuts & Bolts

CONCRETE DECK INFO

WIDTH	AREA	NET INCREASES FOR:			
		STEPS	DIVING	SLIDE	ROLLER
2"	139	13	27	24	10
2'6"	179	17	31	20	10
3"	219	20	36	16	10

All Figures Represent "Sq Ft"



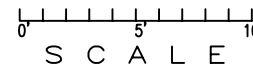
*ALL DIMENSIONS ARE FINISHED

INSTALLATION DATA

From Point "A" to:-		From Point "B" to:-	
B	15'-11 7/8"	B	5'-11 7/8"
C	17'-2 3/8"	C	11'-3 3/8"
D	16'-4 1/8"	D	11'-2 1/8"
E	14'-10 3/8"	E	18'-10 3/8"
F	9'-11 7/8"	F	19'-8 3/8"
G	8'-2 7/8"	G	18'-1 3/8"
H	2'-9 7/8"	H	0'-1 1/2"
SL	16'-1 1/2"	SL	11'-2 1/8"
SR	14'-10 3/8"	SR	11'-3 7/8"
DL	5'-7 7/8"	DR	13'-2 3/4"
DR	8'-10 1/2"		

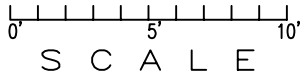
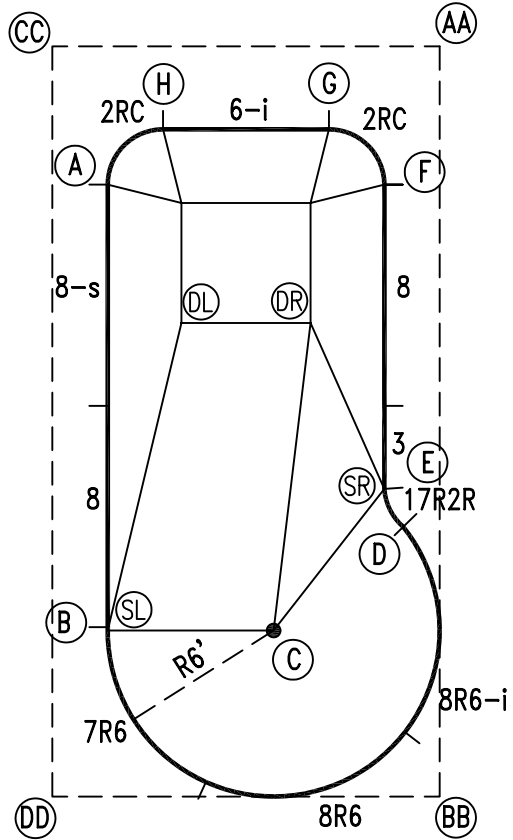
NOTICE

SWIMMING POOLS AND ACCESSORIES (INCLUDING DIVING BOARDS) ARE DANGEROUS WHEN IMPROPERLY USED OR INSTALLED. IT IS THE RESPONSIBILITY OF MUNICIPAL OFFICIALS, BUILDERS AND POOL OWNERS TO ADHERE TO ALL SAFETY RECOMMENDATIONS AND STANDARDS ISSUED BY THE POOL & HOT TUB COUNCIL, LOCAL AUTHORITIES AND EQUIPMENT MANUFACTURERS. PLEASE REFER TO DIVING BOARD MANUFACTURERS FOR CORRECT POSITIONING AND INSTALLATION OF DIVING EQUIPMENT.



EXTERNAL INSTALLATION DATA

AA TO:	BB TO:	CC TO:	DD TO:
AA ---	AA 27'-1 1/2"	AA 14'-0"	AA 30'-6 1/4"
BB ---	BB ---	BB 30'-6 1/4"	BB 14'-0"
CC ---	CC ---	CC ---	CC 27'-1 1/2"
A 12'-11 7/8"	A 25'-1 7/8"	A 5'-4 3/4"	A 22'-2 1/2"
B 24'-2 1/4"	B 13'-5 3/4"	B 21'-1 1/8"	B 6'-5 1/4"
C 21'-11 1/2"	C 8'-5 7/8"	C 22'-7"	C 10'-0"
D 17'-5"	D 9'-10"	D 21'-6 1/8"	D 15'-11 7/8"
E 16'-1 1/2"	E 11'-3 5/8"	E 20'-0"	E 16'-4 3/8"
F 5'-4 3/4"	F 22'-2 1/2"	F 13'-0"	F 25'-1 7/8"
G 4'-11 7/8"	G 24'-5 3/8"	G 10'-5 1/4"	G 26'-1 3/8"
H 10'-5 1/4"	H 26'-1 3/8"	H 5'-0"	H 24'-5 3/8"
SL 24'-3 1/2"	SL 13'-4 7/8"	SL 21'-2 5/8"	SL 6'-3 7/8"
SR 16'-1 1/2"	SR 11'-3 5/8"	SR 20'-0"	SR 16'-4 3/8"
DL 13'-8 1/8"	DL 19'-5 7/8"	DL 11'-0 3/8"	DL 17'-8 7/8"
DR 11'-0 3/8"	DR 17'-8 7/8"	DR 13'-8 1/8"	DR 19'-5 7/8"



NOTICE

SWIMMING POOLS AND ACCESSORIES (INCLUDING DIVING BOARDS) ARE DANGEROUS WHEN IMPROPERLY USED OR INSTALLED. IT IS THE RESPONSIBILITY OF MUNICIPAL OFFICIALS, BUILDERS AND POOL OWNERS TO ADHERE TO ALL SAFETY RECOMMENDATIONS AND STANDARDS ISSUED BY THE POOL & HOT TUB COUNCIL, LOCAL AUTHORITIES AND EQUIPMENT MANUFACTURERS. PLEASE REFER TO DIVING BOARD MANUFACTURERS FOR CORRECT POSITIONING AND INSTALLATION OF DIVING EQUIPMENT.

HIGHBURY POOLS LTD

CAPRI - RIGHT 12 x 24

DRAWING REFERENCE #
5-12-24-2

DRAWN BY: JB
REV. 17 NOV 2006
SHEET 2 OF 2