

MISCELLANEOUS INFORMATION

| | |
|---------------|----------------------|
| PERIMETER:- | 68' 10-1/2" |
| SURFACE AREA: | 298.8 SQ FT |
| VOLUME: | 7603 IMP GALS 34596L |

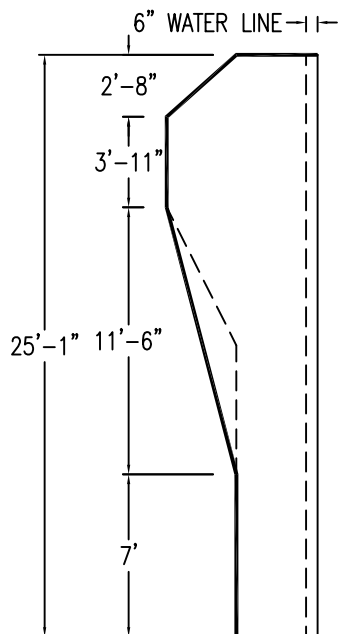
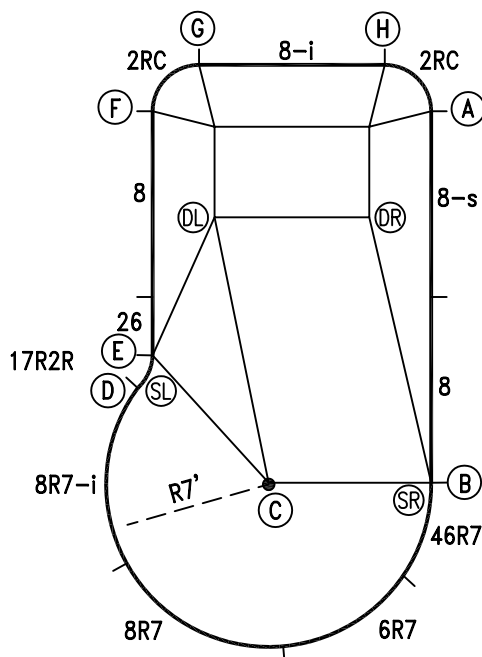
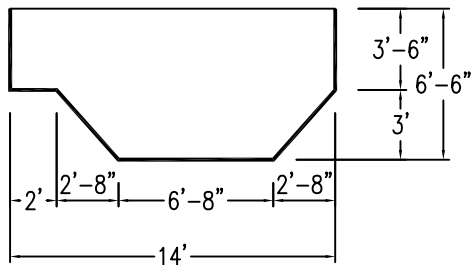
CONCRETE DECK INFO

| WIDTH | AREA | NET INCREASES FOR: | | | |
|-------|------|--------------------|--------|-------|--------|
| | | STEPS | DIVING | SLIDE | ROLLER |
| 2' | 150 | 13 | 27 | 24 | 10 |
| 2'6" | 192 | 17 | 31 | 20 | 10 |
| 3' | 235 | 20 | 36 | 16 | 10 |

All Figures Represent "Sq Ft"

PARTS LIST

| CODE | QTY | DESCRIPTION |
|-------|-----|----------------------------|
| 8-s | 1 | 8' Skim |
| 8-i | 1 | 8' Return |
| 8R7-i | 1 | 8' Return x 7' Radius |
| 8 | 2 | 8' Plain |
| 26 | 1 | 2'6" Plain |
| 8R7 | 1 | 8' Plain x 7' Rad |
| 6R7 | 1 | 6' Plain x 7' Rad |
| 46R7 | 1 | 4'6" Plain x 7' Rad |
| 2RC | 2 | 3'2 Plain x 2' Rad Cnr |
| 17R2R | 1 | 1'7 Plain x 2' Reverse Rad |
| AF | 12 | A-Frame |
| S | 24 | Stake |
| NB | 72 | Nuts & Bolts |



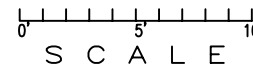
*ALL DIMENSIONS ARE FINISHED

INSTALLATION DATA

| From Point "A" to:- | | From Point "B" to:- | |
|---------------------|-------------|---------------------|------------|
| B | 16'-0" | B | 6'-11 7/8" |
| C | 17'-6 1/4" | C | 13'-3 3/8" |
| D | 17'-4 3/8" | D | 13'-2 3/8" |
| E | 15'-11 3/8" | E | 20'-0" |
| F | 12'-0" | F | 20'-7 1/8" |
| G | 10'-2 3/8" | G | 18'-1 3/8" |
| H | 2'-9 7/8" | H | 13'-2 3/8" |
| SL | 15'-11 3/8" | SL | 0'-0" |
| SR | 16'-0" | SR | 14'-9 1/8" |
| DL | 10'-4 3/4" | DL | 11'-8 7/8" |
| DR | 5'-3 1/2" | DR | |

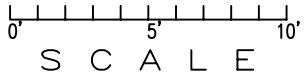
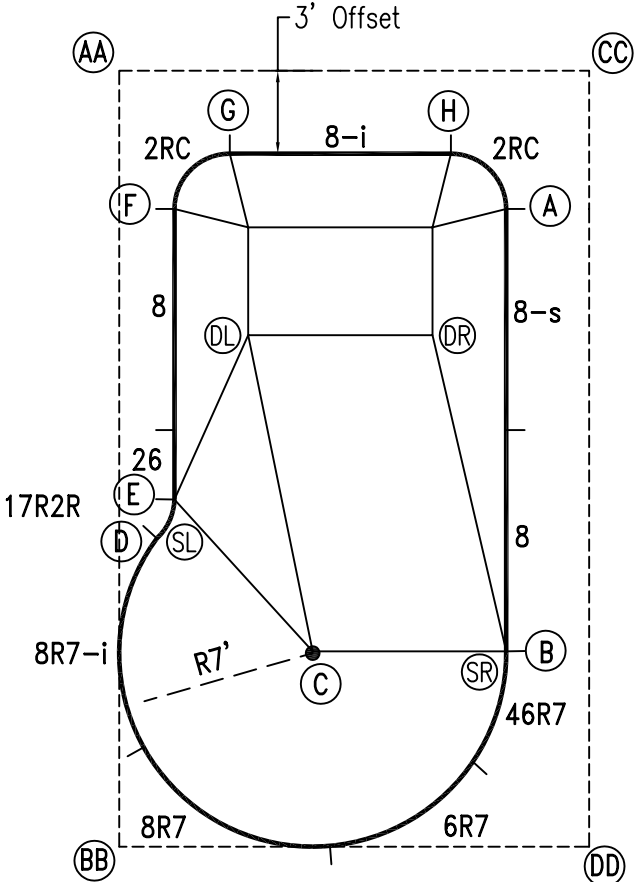
NOTICE

SWIMMING POOLS AND ACCESSORIES (INCLUDING DIVING BOARDS) ARE DANGEROUS WHEN IMPROPERLY USED OR INSTALLED. IT IS THE RESPONSIBILITY OF MUNICIPAL OFFICIALS, BUILDERS AND POOL OWNERS TO ADHERE TO ALL SAFETY RECOMMENDATIONS AND STANDARDS ISSUED BY THE POOL & HOT TUB COUNCIL, LOCAL AUTHORITIES AND EQUIPMENT MANUFACTURERS. PLEASE REFER TO DIVING BOARD MANUFACTURERS FOR CORRECT POSITIONING AND INSTALLATION OF DIVING EQUIPMENT.



EXTERNAL INSTALLATION DATA

| AA TO: | BB TO: | CC TO: | DD TO: |
|---------------|---------------|----------------|----------------|
| AA --- | AA 28'-0 3/4" | AA 16'-11 7/8" | AA 32'-9 3/4" |
| BB --- | BB --- | BB 32'-9 3/4" | BB 16'-11 7/8" |
| CC --- | CC --- | CC --- | CC 28'-0 3/4" |
| A 14'-10 3/8" | A 26'-11 3/4" | A 5'-9 7/8" | A 23'-3 1/8" |
| B 25'-2 7/8" | B 15'-8 1/8" | B 21'-2 1/2" | B 7'-8 1/8" |
| C 22'-2 3/8" | C 9'-10 3/4" | C 23'-3 7/8" | C 12'-2 1/2" |
| D 16'-11 3/4" | D 11'-2 3/4" | D 23'-0 3/8" | D 19'-2 1/2" |
| E 15'-7 3/4" | E 12'-8 5/8" | E 21'-6 7/8" | E 19'-6 3/4" |
| F 5'-4 3/4" | F 23'-1 7/8" | F 15'-9 3/4" | F 27'-6 1/8" |
| G 4'-11 7/8" | G 25'-4 5/8" | G 13'-4 1/8" | G 28'-2 7/8" |
| H 12'-4 3/8" | H 27'-9 1/2" | H 5'-9 7/8" | H 25'-6 3/4" |
| J 15'-7 3/4" | J 12'-8 5/8" | J 21'-6 7/8" | J 19'-6 3/4" |
| K 25'-2 7/8" | K 15'-8 1/8" | K 21'-2 1/2" | K 7'-8 1/8" |
| L 10'-7 3/4" | L 19'-0 7/8" | L 15'-7 1/4" | L 22'-2 3/4" |
| M 14'-9 7/8" | M 21'-8 3/8" | M 11'-1 3/8" | M 19'-4 1/8" |
| SL 15'-7 3/4" | SL 12'-8 5/8" | SL 21'-6 7/8" | SL 19'-6 3/4" |
| SR 25'-2 7/8" | SR 15'-8 1/8" | SR 21'-2 1/2" | SR 7'-8 1/8" |
| DL 10'-7 3/4" | DL 19'-0 7/8" | DL 15'-7 1/4" | DL 22'-2 3/4" |
| DR 14'-9 7/8" | DR 21'-8 3/8" | DR 11'-1 3/8" | DR 19'-4 1/8" |



NOTICE

SWIMMING POOLS AND ACCESSORIES (INCLUDING DIVING BOARDS) ARE DANGEROUS WHEN IMPROPERLY USED OR INSTALLED. IT IS THE RESPONSIBILITY OF MUNICIPAL OFFICIALS, BUILDERS AND POOL OWNERS TO ADHERE TO ALL SAFETY RECOMMENDATIONS AND STANDARDS ISSUED BY THE POOL & HOT TUB COUNCIL, LOCAL AUTHORITIES AND EQUIPMENT MANUFACTURERS. PLEASE REFER TO DIVING BOARD MANUFACTURERS FOR CORRECT POSITIONING AND INSTALLATION OF DIVING EQUIPMENT.

HIGHBURY POOLS LTD

CAPRI - LEFT

14 X 25

DRAWING REFERENCE #
5-14-25-1

DRAWN BY: GB
REV. 06 FEB 2008
SHEET 2 OF 2