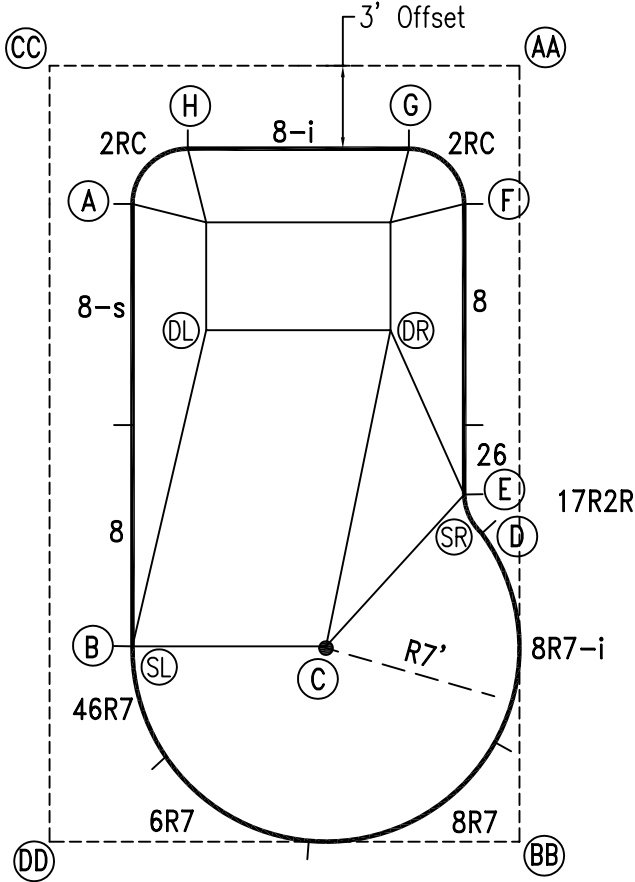


EXTERNAL INSTALLATION DATA

AA TO:	BB TO:	CC TO:	DD TO:
AA ---	AA 28'-0 3/4"	AA 16'-11 7/8"	AA 32'-9 3/4"
BB ---	BB ---	BB 32'-9 3/4"	BB 16'-11 7/8"
CC ---	CC ---	CC ---	CC 28'-0 3/4"
A 14'-10 3/8"	A 26'-11 3/4"	A 5'-9 7/8"	A 23'-3 1/8"
B 25'-2 7/8"	B 15'-8 1/8"	B 21'-2 1/2"	B 7'-8 1/8"
C 22'-2 3/8"	C 9'-10 3/4"	C 23'-3 7/8"	C 12'-2 1/2"
D 16'-11 3/4"	D 11'-2 3/4"	D 23'-0 3/8"	D 19'-2 1/2"
E 15'-7 3/4"	E 12'-8 5/8"	E 21'-6 7/8"	E 19'-6 3/4"
F 5'-4 3/4"	F 23'-1 7/8"	F 15'-9 3/4"	F 27'-6 1/8"
G 4'-11 7/8"	G 25'-4 5/8"	G 13'-4 1/8"	G 28'-2 7/8"
H 12'-4 3/8"	H 27'-9 1/2"	H 5'-9 7/8"	H 25'-6 3/4"
J 15'-7 3/4"	J 12'-8 5/8"	J 21'-6 7/8"	J 19'-6 3/4"
K 25'-2 7/8"	K 15'-8 1/8"	K 21'-2 1/2"	K 7'-8 1/8"
L 10'-7 3/4"	L 19'-0 7/8"	L 15'-7 1/4"	L 22'-2 3/4"
M 14'-9 7/8"	M 21'-8 3/8"	M 11'-1 3/8"	M 19'-4 1/8"
SL 25'-2 7/8"	SL 15'-8 1/8"	SL 21'-2 1/2"	SL 7'-8 1/8"
SR 15'-7 3/4"	SR 12'-8 5/8"	SR 21'-6 7/8"	SR 19'-6 3/4"
DL 14'-9 7/8"	DL 21'-8 3/8"	DL 11'-1 3/8"	DL 19'-4 1/8"
DR 10'-7 3/4"	DR 19'-0 7/8"	DR 15'-7 1/4"	DR 22'-2 3/4"



NOTICE

SWIMMING POOLS AND ACCESSORIES (INCLUDING DIVING BOARDS) ARE DANGEROUS WHEN IMPROPERLY USED OR INSTALLED. IT IS THE RESPONSIBILITY OF MUNICIPAL OFFICIALS, BUILDERS AND POOL OWNERS TO ADHERE TO ALL SAFETY RECOMMENDATIONS AND STANDARDS ISSUED BY THE POOL & HOT TUB COUNCIL, LOCAL AUTHORITIES AND EQUIPMENT MANUFACTURERS. PLEASE REFER TO DIVING BOARD MANUFACTURERS FOR CORRECT POSITIONING AND INSTALLATION OF DIVING EQUIPMENT.

HIGHBURY POOLS LTD

CAPRI - RIGHT 14 X 25

DRAWING REFERENCE #
5-14-25-2

DRAWN BY: GB
REV. 06 FEB 2008
SHEET 2 OF 2