

MISCELLANEOUS INFORMATION

PERIMETER:-	90'10"
SURFACE AREA:	516.3 SQ FT
VOLUME:	14800 IMP GALS 67200L

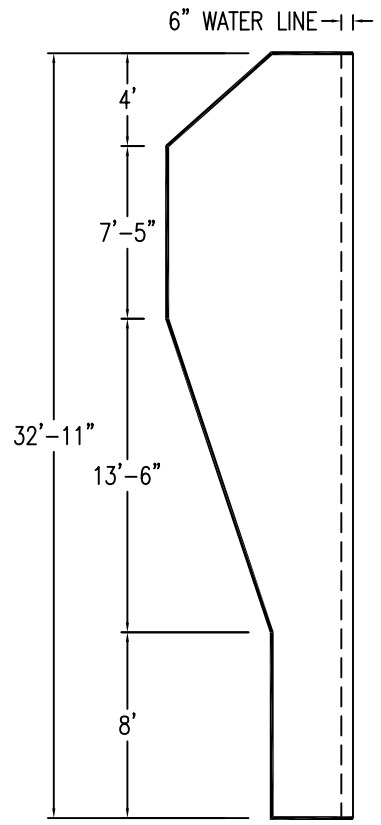
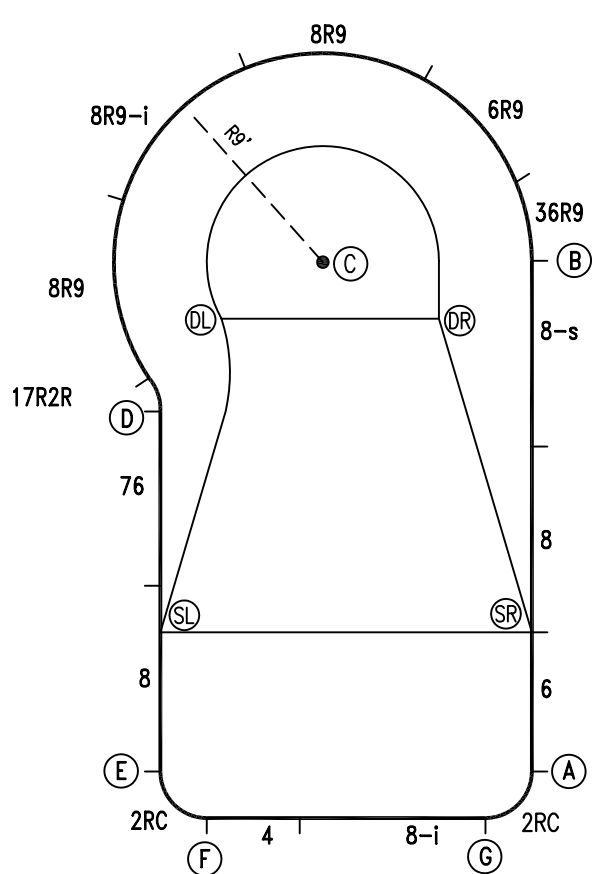
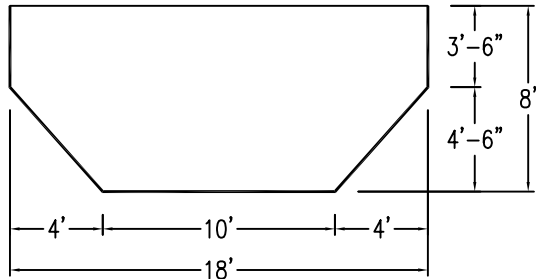
PARTS LIST

CODE	QTY	DESCRIPTION
8-s	1	8' Skim
8-i	1	8' Return
8R9-i	1	8' Return x 9' Rad
8	2	8' Plain
76	1	7'6" Plain
6	1	6' Plain
4	1	4' Plain
8R9	2	8' Plain x 9' Rad
6R9	1	6' Plain x 9' Rad
36R9	1	3'6" Plain x 9' Rad
2RC	2	3'2" Plain x 2' Rad Cnr
17R2R	1	1'7" Plain x 2' Reverse Cnr
AF	15	A-Frame
S	30	Stake
NB	90	Nuts & Bolts

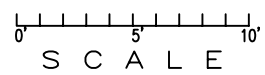
CONCRETE DECK INFO

WIDTH	AREA	NET INCREASES FOR:			
		STEPS	DIVING	SLIDE	ROLLER
2"	195	13	27	24	10
2'6"	247	17	31	20	10
3'	301	20	36	16	10

All Figures Represent "Sq Ft"



*ALL DIMENSIONS ARE FINISHED



INSTALLATION DATA

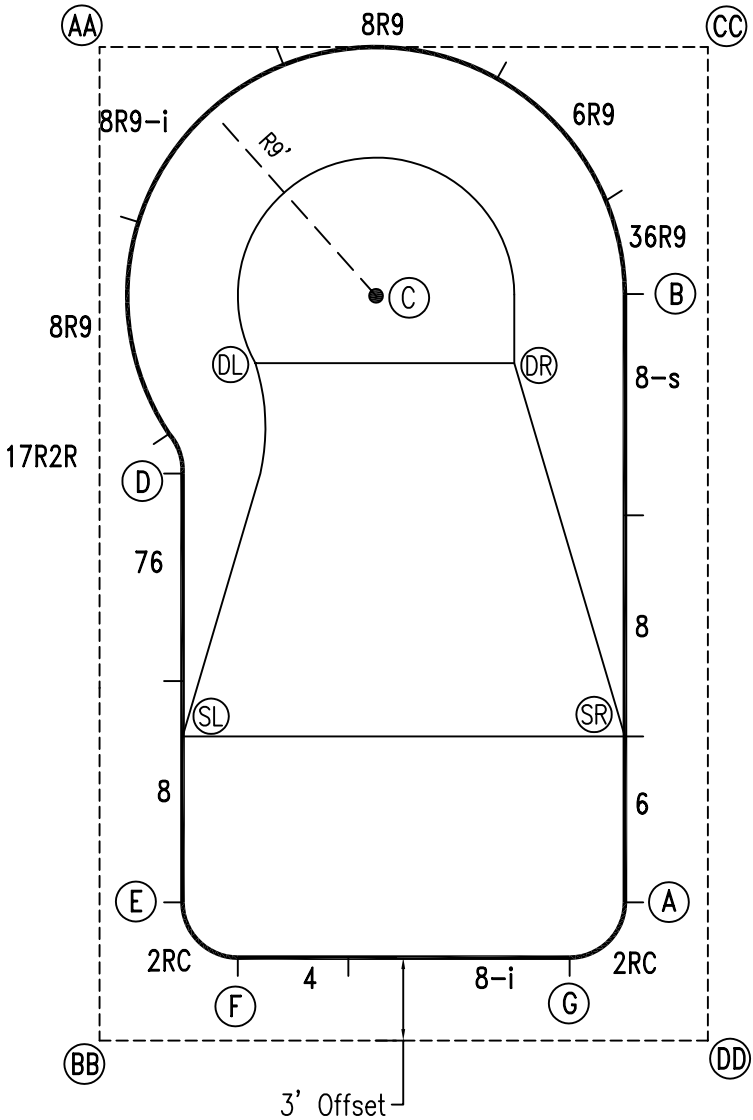
From Point "A" to:-		From Point "B" to:-	
B	22'-0"	B	
C	23'-8 1/2"	C	9'-0"
D	22'-3 3/8"	D	17'-3 1/4"
E	16'-0"	E	27'-2 3/8"
F	14'-1 3/4"	F	27'-9 3/8"
G	2'-9 7/8"	G	24'-0 7/8"
SL	17'-1"	SL	22'-7 1/2"
SR	6'-0"	SR	16'-0"
DL	23'-7 3/4"	DL	13'-7 1/8"
DR	19'-10 7/8"	DR	4'-8 5/8"

NOTICE

SWIMMING POOLS AND ACCESSORIES (INCLUDING DIVING BOARDS) ARE DANGEROUS WHEN IMPROPERLY USED OR INSTALLED. IT IS THE RESPONSIBILITY OF MUNICIPAL OFFICIALS, BUILDERS AND POOL OWNERS TO ADHERE TO ALL SAFETY RECOMMENDATIONS AND STANDARDS ISSUED BY THE POOL & HOT TUB COUNCIL, LOCAL AUTHORITIES AND EQUIPMENT MANUFACTURERS. PLEASE REFER TO DIVING BOARD MANUFACTURERS FOR CORRECT POSITIONING AND INSTALLATION OF DIVING EQUIPMENT.

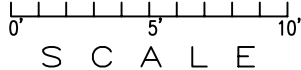
EXTERNAL INSTALLATION DATA

AA TO:	BB TO:	CC TO:	DD TO:
AA ---	AA 35'-11 1/4"	AA 22'-0"	AA 42'-1 5/8"
BB ---	BB ---	BB 42'-1 5/8"	BB 22'-0"
CC ---	CC ---	CC ---	CC 35'-11 1/4"
A 36'-3 5/8"	A 19'-7 3/4"	A 31'-0 7/8"	A 5'-9 7/8"
B 21'-0"	B 33'-0 1/8"	B 9'-5 1/8"	B 27'-1 7/8"
C 13'-5 1/2"	C 28'-8 3/4"	C 15'-0"	C 29'-5 7/8"
D 15'-8 5/8"	D 20'-8 3/4"	D 24'-5 3/4"	D 27'-11 1/2"
E 31'-0 7/8"	E 5'-9 7/8"	E 36'-3 5/8"	E 19'-7 3/4"
F 33'-3 3/4"	F 5'-9 7/8"	F 37'-0 3/4"	F 17'-3 1/8"
G 37'-0 3/4"	G 17'-3 1/8"	G 33'-3 3/4"	G 5'-9 7/8"
SL 25'-1 3/8"	SL 11'-4 7/8"	SL 31'-4 1/4"	SL 21'-11 1/2"
SR 31'-4 1/4"	SR 21'-11 1/2"	SR 25'-1 3/8"	SR 11'-4 7/8"
DL 12'-8 7/8"	DL 25'-1 5/8"	DL 19'-11 5/8"	DL 29'-5 1/2"
DR 18'-10 3/8"	DR 28'-8 3/4"	DR 13'-4 7/8"	DR 25'-5 3/4"



NOTICE

SWIMMING POOLS AND ACCESSORIES (INCLUDING DIVING BOARDS) ARE DANGEROUS WHEN IMPROPERLY USED OR INSTALLED. IT IS THE RESPONSIBILITY OF MUNICIPAL OFFICIALS, BUILDERS AND POOL OWNERS TO ADHERE TO ALL SAFETY RECOMMENDATIONS AND STANDARDS ISSUED BY THE POOL & HOT TUB COUNCIL, LOCAL AUTHORITIES AND EQUIPMENT MANUFACTURERS. PLEASE REFER TO DIVING BOARD MANUFACTURERS FOR CORRECT POSITIONING AND INSTALLATION OF DIVING EQUIPMENT.



HIGHBURY POOLS LTD

CAPRI-REVERSED HOPPER-LEFT
18 X 33

DRAWING REFERENCE #
5-18-33-3

DRAWN BY: JB
REV. 21 NOV 2006
SHEET 2 OF 2