

MISCELLANEOUS INFORMATION

PERIMETER:-96'10"
SURFACE AREA:564.3 SQ FT
VOLUME: 16419 IMP GALS 74639L

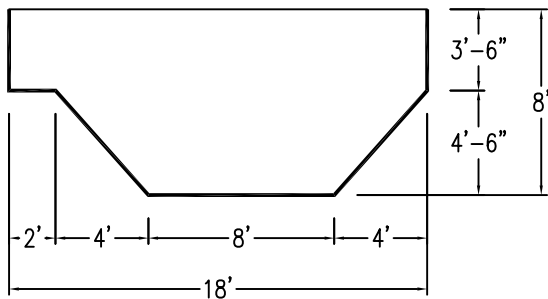
PARTS LIST

CODE	QTY	DESCRIPTION
8-s	1	8'Skimmer
8-i	1	8'Return
8R9-i	1	8'Return x 9'Radius
8	4	8'Plain
4	1	4' Plain
26	1	2'6"Plain
1	1	1'Plain
8R9	2	8'Plain x 9'Radius
6R9	1	6'Plain x 9'Radius
36R9	1	3'6"Plain x 9'Radius
2RC	2	3'2"Plain x 2'Radius Corner
17R2R	1	1'7"Plain x 2'Reverse Radius
AF	17	"A" Frames
S	34	Stakes
NB	102	Nuts & Bolts

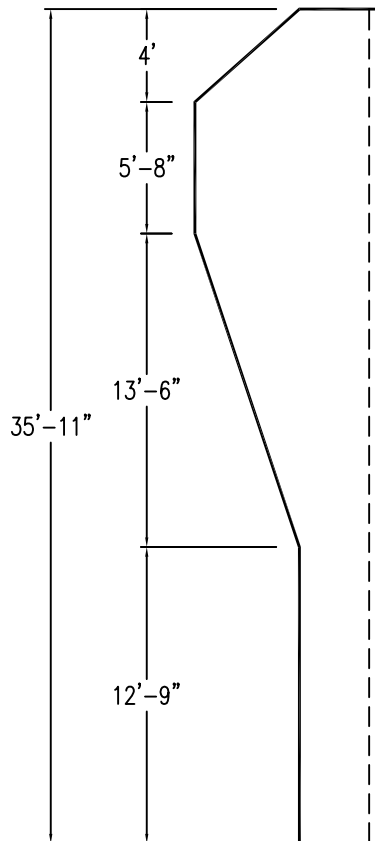
CONCRETE DECK INFO

WIDTH	AREA	NET INCREASES FOR:			
		STEPS	DIVING	SLIDE	ROLLER
2'	207	13	27	24	10
2'6"	262	17	31	20	10
3'	320	20	36	16	10

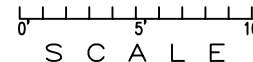
All Figures Represent "Sq Ft"



6" WATER LINE - I-I -



*ALL DIMENSIONS ARE FINISHED



INSTALLATION DATA

From Point "A" to:-		From Point "B" to:-	
B	25'-0"	B	17'-2 7/8"
C	25'-10 1/2"	C	17'-3 1/4"
D	24'-5 5/8"	D	17'-3 1/4"
E	16'-0"	E	29'-8 1/8"
F	14'-1 3/4"	F	30'-4 7/8"
G	2'-9 7/8"	G	27'-0 7/8"
H	26'-6 1/8"	H	9'-0"
SL	27'-3 1/8"	SL	17'-7 1/8"
SR	21'-1 7/8"	SR	3'-9 7/8"
DL	14'-2 7/8"	DL	21'-0 7/8"
DR	8'-7 3/4"	DR	17'-9 1/2"

NOTICE

SWIMMING POOLS AND ACCESSORIES (INCLUDING DIVING BOARDS) ARE DANGEROUS WHEN IMPROPERLY USED OR INSTALLED. IT IS THE RESPONSIBILITY OF MUNICIPAL OFFICIALS, BUILDERS AND POOL OWNERS TO ADHERE TO ALL SAFETY RECOMMENDATIONS AND STANDARDS ISSUED BY THE POOL & HOT TUB COUNCIL, LOCAL AUTHORITIES AND EQUIPMENT MANUFACTURERS. PLEASE REFER TO DIVING BOARD MANUFACTURERS FOR CORRECT POSITIONING AND INSTALLATION OF DIVING EQUIPMENT.

DRAWING REFERENCE #
5-18-36-1

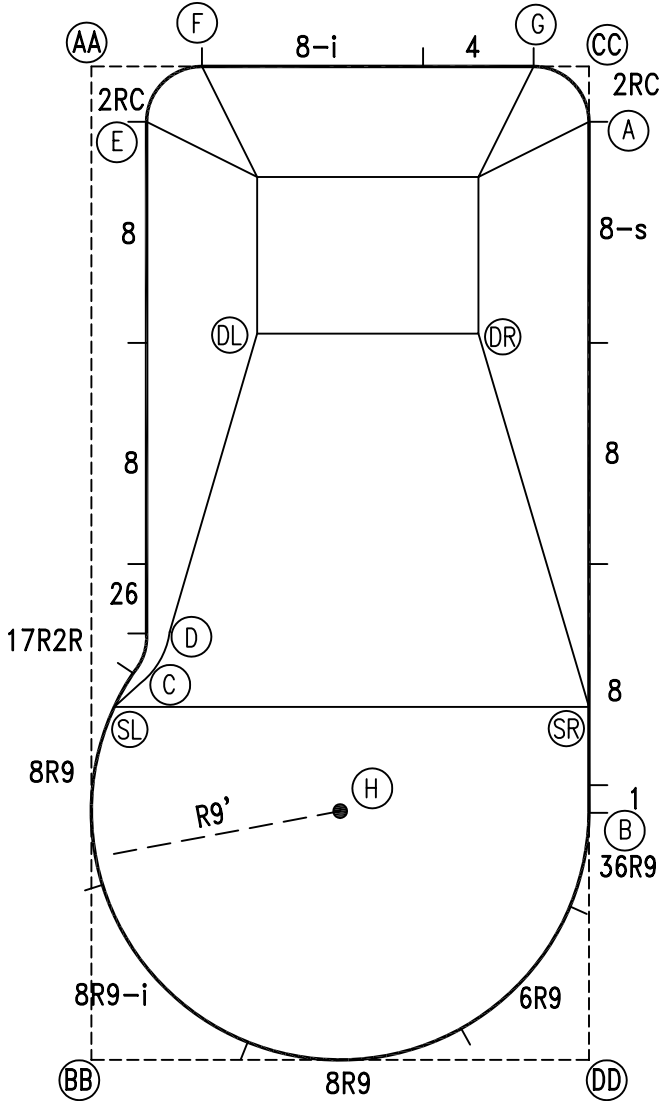
DRAWN BY: JB
REV. 21 NOV 2006
SHEET 1 OF 2

HIGHBURY POOLS LTD

CAPRI - LEFT 18 x 36

EXTERNAL INSTALLATION DATA

AA TO:	BB TO:	CC TO:	DD TO:
AA	AA 35'-11 1/4"	AA 18'-0"	AA 40'-2 3/8"
BB	BB --	BB 40'-2 3/8"	BB 18'-0"
CC	CC --	CC --	CC 35'-11 1/4"
A	A 38'-4 7/8"	A 2'-0"	A 33'-11 1/4"
B	B 20'-1 1/8"	B 27'-0"	B 8'-11 1/4"
C	C 14'-0 7/8"	C 27'-5 3/8"	C 21'-7 1/2"
D	D 15'-6 3/4"	D 26'-0 1/8"	D 22'-2 3/4"
E	E 34'-0"	E 16'-1 1/2"	E 37'-6 1/4"
F	F 36'-1 7/8"	F 14'-0"	F 38'-6 7/8"
G	G 39'-4"	G 2'-0"	G 35'-11 7/8"
H	H 12'-8 3/4"	H 28'-4 3/4"	H 12'-8 3/4"
SL	SL 12'-9 5/8"	SL 28'-10"	SL 21'-4 3/4"
SR	SR 22'-0 7/8"	SR 23'-2"	SR 12'-9 1/4"
DL	DL 26'-11 3/8"	DL 15'-4 7/8"	DL 28'-10 5/8"
DR	DR 29'-9 1/4"	DR 10'-5 1/2"	DR 26'-6 7/8"



NOTICE

SWIMMING POOLS AND ACCESSORIES (INCLUDING DIVING BOARDS) ARE DANGEROUS WHEN IMPROPERLY USED OR INSTALLED. IT IS THE RESPONSIBILITY OF MUNICIPAL OFFICIALS, BUILDERS AND POOL OWNERS TO ADHERE TO ALL SAFETY RECOMMENDATIONS AND STANDARDS ISSUED BY THE POOL & HOT TUB COUNCIL, LOCAL AUTHORITIES AND EQUIPMENT MANUFACTURERS. PLEASE REFER TO DIVING BOARD MANUFACTURERS FOR CORRECT POSITIONING AND INSTALLATION OF DIVING EQUIPMENT.

HIGHBURY POOLS LTD

CAPRI - LEFT 18 x 36

DRAWING REFERENCE #

5-18-36-1

DRAWN BY: JB

REV. 21 NOV 2006

SHEET 2 OF 2