

MISCELLANEOUS INFORMATION

PERIMETER:	104'10"
SURFACE AREA:	628 SQ FT
VOLUME:	17098 IMP GALS 77796 LITER

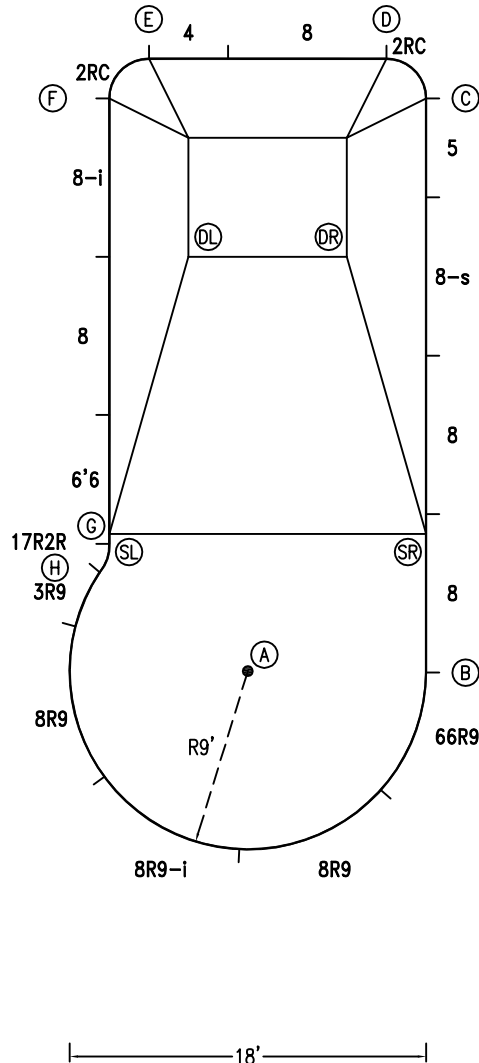
CONCRETE DECK INFO

WIDTH	AREA	NET INCREASES FOR:			
		STEPS	DIVING	SLIDE	ROLLER
2'	223	13	27	24	10
2'6"	343	17	31	20	10
3'	0	20	36	16	10

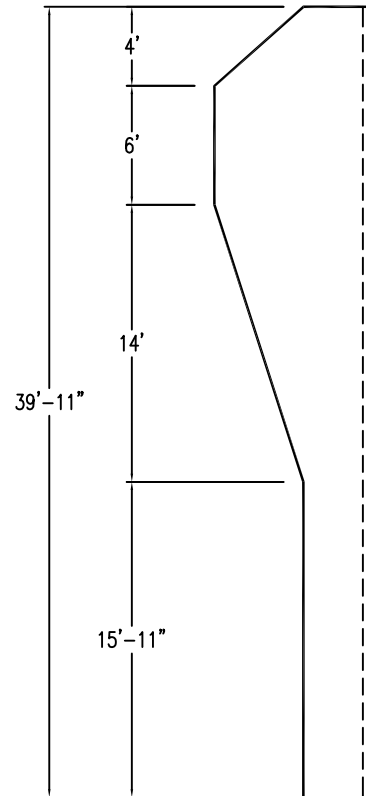
All Figures Represent "Sq Ft"

PARTS LIST

CODE	QTY	DESCRIPTION
3R9	1	3' Plain x 9' Radius
8R9	2	8' Plain x 9' Radius
8R9-i	1	8' Return x 9' Radius
66R9	1	6'6" Plain x 9' Radius
8	4	8' Plain
8-s	1	8' Skimmer
5	1	5' Plain
2RC	2	3'2" Plain x 2' Rad Cnr
4	1	4' Plain
8-i	1	8' Return
6'6	1	6'6" Plain
17R2R	1	1'7" Plain x 2' Reverse Radius
AF	17	A-Frame
S	34	Stakes
NB	102	Nuts & Bolts



6" WATER LINE



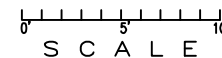
INSTALLATION DATA

From Point "A" to:-		From Point "B" to:-	
B	9'-0"	B	29'-0"
C	30'-3 1/2"	C	31'-0 3/4"
D	31'-8 1/2"	D	34'-0"
E	31'-4"	E	33'-1 1/2"
F	29'-9 1/4"	F	17'-3 1/4"
G	9'-6"	G	17'-2 3/4"
H	9'-0"	H	17'-5 1/2"
SL	9'-10 1/4"	SL	7'-0"
SR	11'-4 1/4"	DL	24'-2 1/4"
DL	21'-1 3/4"	DR	21'-4 1/2"
DR	21'-6 1/4"		

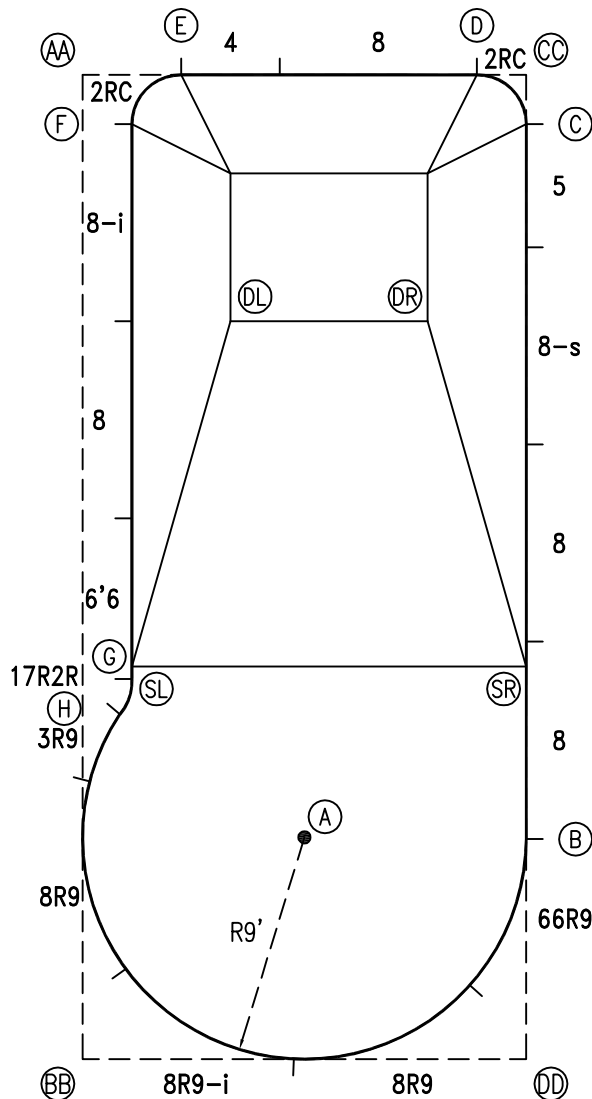
NOTICE

SWIMMING POOLS AND ACCESSORIES (INCLUDING DIVING BOARDS) ARE DANGEROUS WHEN IMPROPERLY USED OR INSTALLED. IT IS THE RESPONSIBILITY OF MUNICIPAL OFFICIALS, BUILDERS AND POOL OWNERS TO ADHERE TO ALL SAFETY RECOMMENDATIONS AND STANDARDS ISSUED BY THE POOL & HOT TUB COUNCIL, LOCAL AUTHORITIES AND EQUIPMENT MANUFACTURERS. PLEASE REFER TO DIVING BOARD MANUFACTURERS FOR CORRECT POSITIONING AND INSTALLATION OF DIVING EQUIPMENT.

*ALL DIMENSIONS ARE FINISHED



PERIMETER: 104'10"



EXTERNAL INSTALLATION DATA

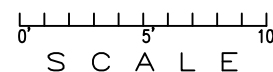
AA TO:	BB TO:	CC TO:	DD TO:
AA --	AA 39'-11 1/4"	AA 18'-0"	AA 43'-9 1/2"
BB --	BB --	BB 43'-9 1/2"	BB 18'-0"
CC --	CC --	CC --	CC 39'-11 1/4"
A 32'-2 1/2"	A 12'-8 3/4"	A 32'-2 1/2"	A 12'-8 3/4"
B 35'-10"	B 20'-1"	B 31'-0"	B 8'-11 1/4"
C 18'-1 1/4"	C 41'-11 3/4"	C 2'-0"	C 37'-11 1/4"
D 16'-0"	D 43'-0 1/4"	D 2'-0"	D 39'-11 3/4"
E 4'-0"	E 40'-1 1/2"	E 14'-0"	E 42'-3 3/4"
F 2'-9 3/4"	F 37'-11 3/4"	F 16'-1 1/2"	F 41'-2"
G 24'-7"	G 15'-6 3/4"	G 29'-3 1/4"	G 22'-2 3/4"
H 25'-11 3/4"	H 14'-0 3/4"	H 30'-8 3/4"	H 21'-7 1/2"
SL 24'-0 3/4"	SL 16'-0 3/4"	SL 28'-10"	SL 22'-6 3/4"
SR 30'-0"	SR 24'-0 1/2"	SR 24'-0"	SR 15'-11 1/4"
DL 11'-7 3/4"	DL 30'-6 1/4"	DL 15'-7 1/2"	DL 32'-3"
DR 17'-2 1/2"	DR 33'-0 1/2"	DR 10'-9 1/4"	DR 30'-2 1/2"

DIAGONALS

From Point "B" to:-		From Point "C" to:-	
C	29'-0"	C	
D	31'-0 3/4"	D	2'-9 7/8"
E	34'-0 1/8"	E	14'-1 3/4"
F	33'-1 1/2"	F	16'-0"
G	17'-3 1/4"	G	27'-7 3/8"
H	17'-2 7/8"	H	29'-0 7/8"

NOTICE

SWIMMING POOLS AND ACCESSORIES (INCLUDING DIVING BOARDS) ARE DANGEROUS WHEN IMPROPERLY USED OR INSTALLED. IT IS THE RESPONSIBILITY OF MUNICIPAL OFFICIALS, BUILDERS AND POOL OWNERS TO ADHERE TO ALL SAFETY RECOMMENDATIONS AND STANDARDS ISSUED BY THE POOL & HOT TUB COUNCIL, LOCAL AUTHORITIES AND EQUIPMENT MANUFACTURERS. PLEASE REFER TO DIVING BOARD MANUFACTURERS FOR CORRECT POSITIONING AND INSTALLATION OF DIVING EQUIPMENT.



HIGHBURY POOLS LTD

CAPRI - LEFT 16 x 18 x 40

DRAWING REFERENCE #
5-18-40-1

DRAWN BY: JK
REV. 14 JUN 13
SHEET 2 OF 2