

**MISCELLANEOUS INFORMATION**

PERIMETER:	107'10"
SURFACE AREA:	684 SQ FT
VOLUME:	18230 IMP GALS 82946 LITER

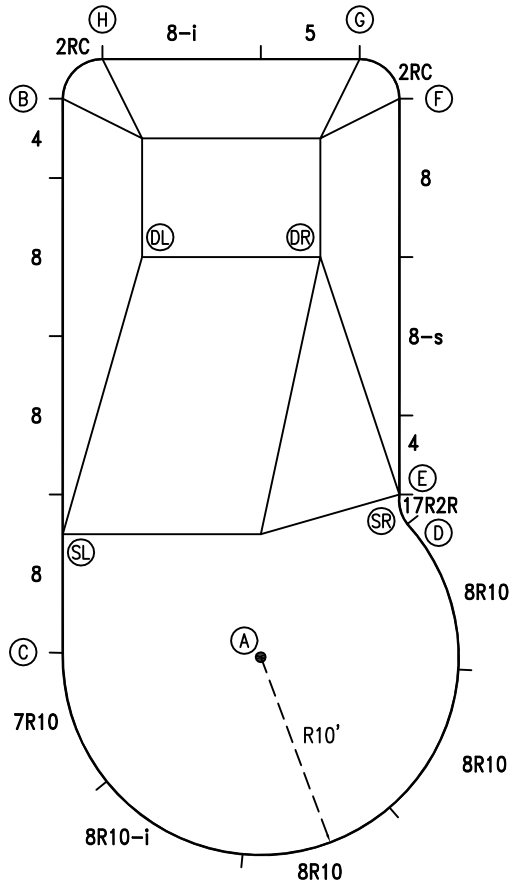
**CONCRETE DECK INFO**

WIDTH	AREA	NET INCREASES FOR:			
		STEPS	DIVING	SLIDE	ROLLER
2'	228	13	27	24	10
2'6"	289	17	31	20	10
3'	352	20	36	16	10

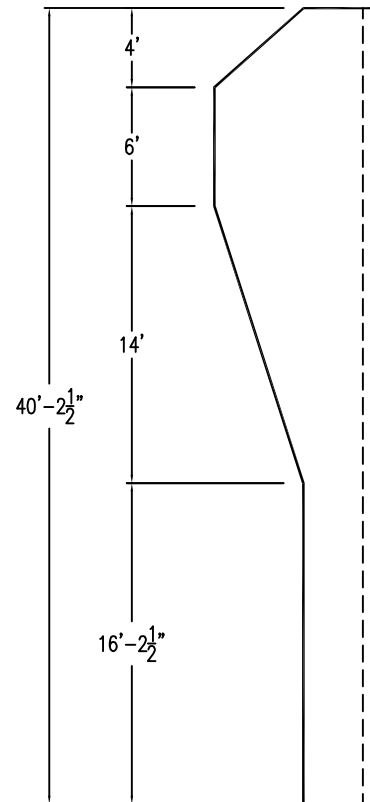
All Figures Represent "Sq Ft"

**PARTS LIST**

CODE	QTY	DESCRIPTION
8R10	3	8' Plain x 10' Radius
8R10-i	1	8' Return x 10' Radius
7R10	1	7' Plain x 10' Radius
8	4	8' Plain
4	2	4' Plain
2RC	2	3'2" Plain x 2' Rad Cnr
8-i	1	8' Return
5	1	5' Plain
8-s	1	8' Skimmer
17R2R	1	1'7" Plain x 2' Reverse Radius
AF	17	A-Frame
S	34	Stakes
NB	102	Nuts & Bolts



6" WATER LINE



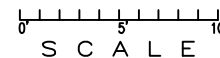
**INSTALLATION DATA**

From Point "A" to:-		From Point "B" to:-	
B	29'-11"	B	28'-0"
C	10'-0"	C	27'-7 3/4"
D	10'-0"	D	27'-7 3/4"
E	10'-9 1/2"	E	26'-2 3/4"
F	29'-0 3/4"	F	17'-0"
G	30'-7 1/4"	G	15'-1 1/2"
H	31'-2 3/4"	H	2'-9 3/4"
J	31'-2 3/4"	J	2'-9 3/4"
SL	11'-9 1/4"	SL	22'-0"
SR	10'-9 1/2"	SR	26'-2 3/4"
DL	21'-0 3/4"	DL	8'-11 1/4"
DR	20'-5"	DR	15'-3"

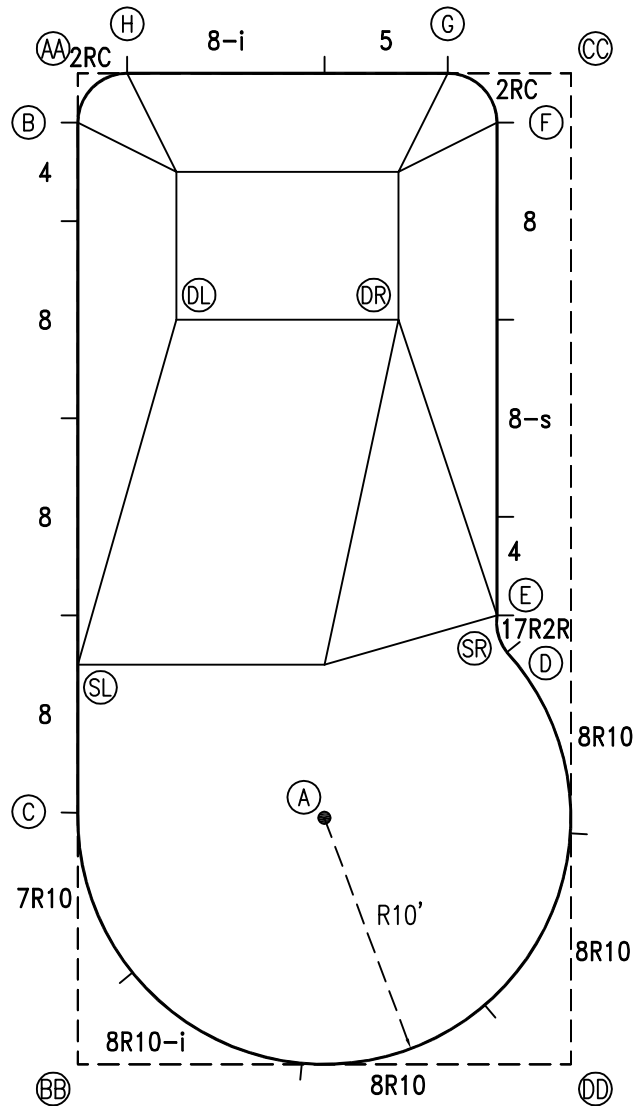
**NOTICE**

SWIMMING POOLS AND ACCESSORIES (INCLUDING DIVING BOARDS) ARE DANGEROUS WHEN IMPROPERLY USED OR INSTALLED. IT IS THE RESPONSIBILITY OF MUNICIPAL OFFICIALS, BUILDERS AND POOL OWNERS TO ADHERE TO ALL SAFETY RECOMMENDATIONS AND STANDARDS ISSUED BY THE POOL & HOT TUB COUNCIL, LOCAL AUTHORITIES AND EQUIPMENT MANUFACTURERS. PLEASE REFER TO DIVING BOARD MANUFACTURERS FOR CORRECT POSITIONING AND INSTALLATION OF DIVING EQUIPMENT.

\*ALL DIMENSIONS ARE FINISHED



PERIMETER: 107'10"



EXTERNAL INSTALLATION DATA

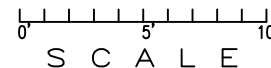
AA TO:	BB TO:	CC TO:	DD TO:
AA ---	AA 40'-2 1/2"	AA 20'-0"	AA 44'-10 3/4"
BB ---	BB ---	BB 44'-10 3/4"	BB 20'-0"
CC ---	CC ---	CC ---	CC 40'-2 1/2"
A 31'-9 3/4"	A 14'-1 3/4"	A 31'-9 3/4"	A 14'-1 3/4"
B 2'-0"	B 38'-2 1/2"	B 20'-1"	B 43'-1 1/2"
C 30'-0"	C 10'-2 1/2"	C 36'-0 1/2"	C 22'-5 1/4"
D 29'-2 3/4"	D 24'-1 1/2"	D 23'-7 1/2"	D 16'-11"
E 27'-9 1/2"	E 24'-10 3/4"	E 22'-2 1/2"	E 18'-5 1/2"
F 17'-1 1/4"	F 41'-9 3/4"	F 3'-7 1/4"	F 38'-3 3/4"
G 15'-0"	G 42'-10 3/4"	G 5'-0"	G 40'-6 1/4"
H 2'-0"	H 40'-3"	H 18'-0"	H 44'-0 1/2"
J 2'-0"	J 40'-3"	J 18'-0"	J 44'-0 1/2"
SL 24'-0"	SL 16'-2 1/2"	SL 31'-2 3/4"	SL 25'-8 3/4"
SR 27'-9 1/2"	SR 24'-10 3/4"	SR 22'-2 1/2"	SR 18'-5 1/2"
DL 10'-9 1/4"	DL 30'-5 1/2"	DL 18'-10 1/4"	DL 34'-2 1/4"
DR 16'-4 3/4"	DR 32'-10 1/2"	DR 12'-2 1/2"	DR 31'-0"

DIAGONALS

From Point "B" to:-	From Point "C" to:-
C 28'-0"	C
D 27'-7 3/4"	D 18'-6 7/8"
E 26'-2 7/8"	E 18'-9 1/2"
F 17'-0"	F 32'-9 1/8"
G 15'-1 5/8"	G 33'-6 1/2"
H 2'-9 7/8"	H 30'-0 3/4"

NOTICE

SWIMMING POOLS AND ACCESSORIES (INCLUDING DIVING BOARDS) ARE DANGEROUS WHEN IMPROPERLY USED OR INSTALLED. IT IS THE RESPONSIBILITY OF MUNICIPAL OFFICIALS, BUILDERS AND POOL OWNERS TO ADHERE TO ALL SAFETY RECOMMENDATIONS AND STANDARDS ISSUED BY THE POOL & HOT TUB COUNCIL, LOCAL AUTHORITIES AND EQUIPMENT MANUFACTURERS. PLEASE REFER TO DIVING BOARD MANUFACTURERS FOR CORRECT POSITIONING AND INSTALLATION OF DIVING EQUIPMENT.



HIGHBURY POOLS LTD

CAPRI - RIGHT 17 x 20 x 40

DRAWING REFERENCE #  
5-20-40-2

DRAWN BY:JK  
REV. 17 JUN 13  
SHEET 2 OF 2