

MISCELLANEOUS INFORMATION

PERIMETER:-	102'5"
SURFACE AREA:	676.8 SQ FT
VOLUME:	19600 IMP GALS 89200 L

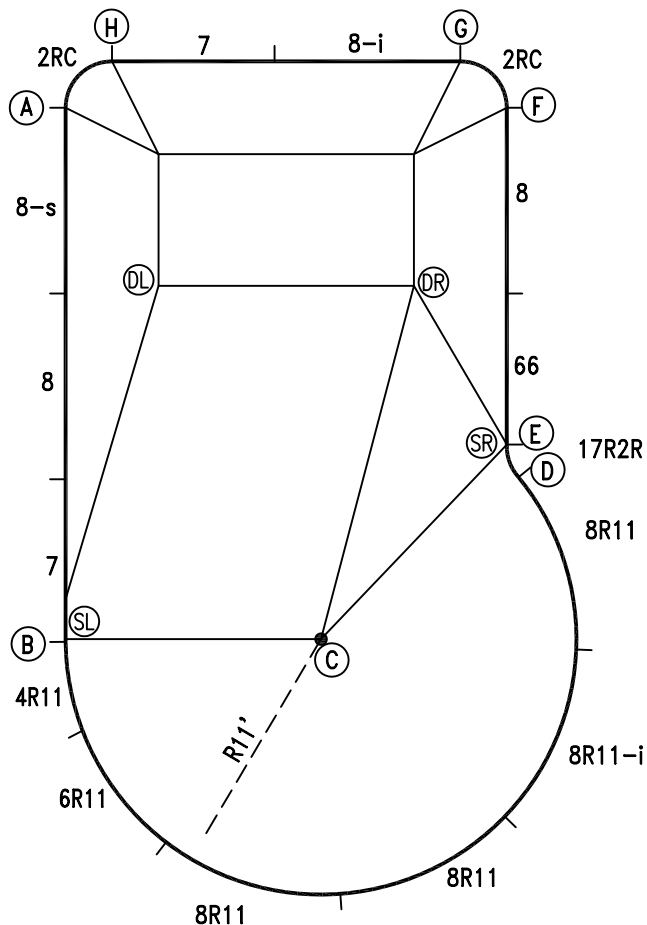
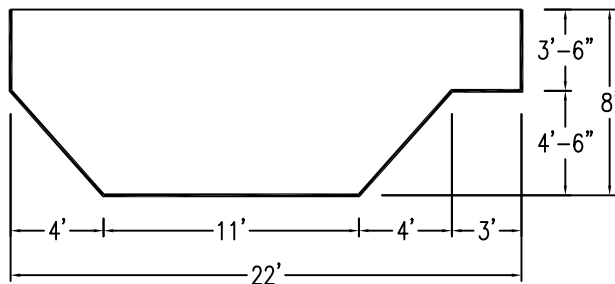
CONCRETE DECK INFO

WIDTH	AREA	NET INCREASES FOR:			
		STEPS	DIVING	SLIDE	ROLLER
2"	217	13	27	24	10
2'6"	275	17	31	20	10
3'	335	20	36	16	10

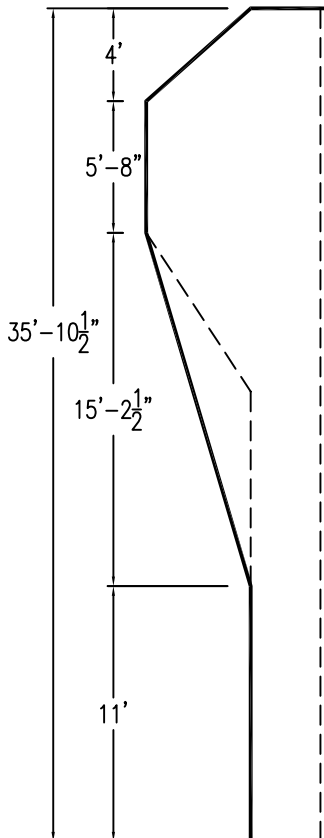
All Figures Represent "Sq Ft"

PARTS LIST

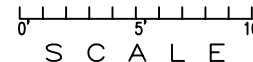
CODE	QTY	DESCRIPTION
8-s	1	8' Skim
8-i	1	8' Return
8R11-i	1	8' Return x 11' Rad
8	2	8' Plain
7	2	7' Plain
66	1	6'6" Plain
8R11	3	8' Plain x 11' Rad
6R11	1	6' Plain x 11' Rad
4R11	1	4' Plain x 11' Rad
2RC	2	3'2 Plain x 2' Rad Cnr
17R2R	1	1'7 Plain x 2' Reverse Rad
AF	16	A-Frame
S	32	Stake
NB	96	Nuts & Bolts



6" WATER LINE - 11-



\*ALL DIMENSIONS ARE FINISHED



INSTALLATION DATA

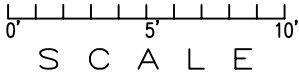
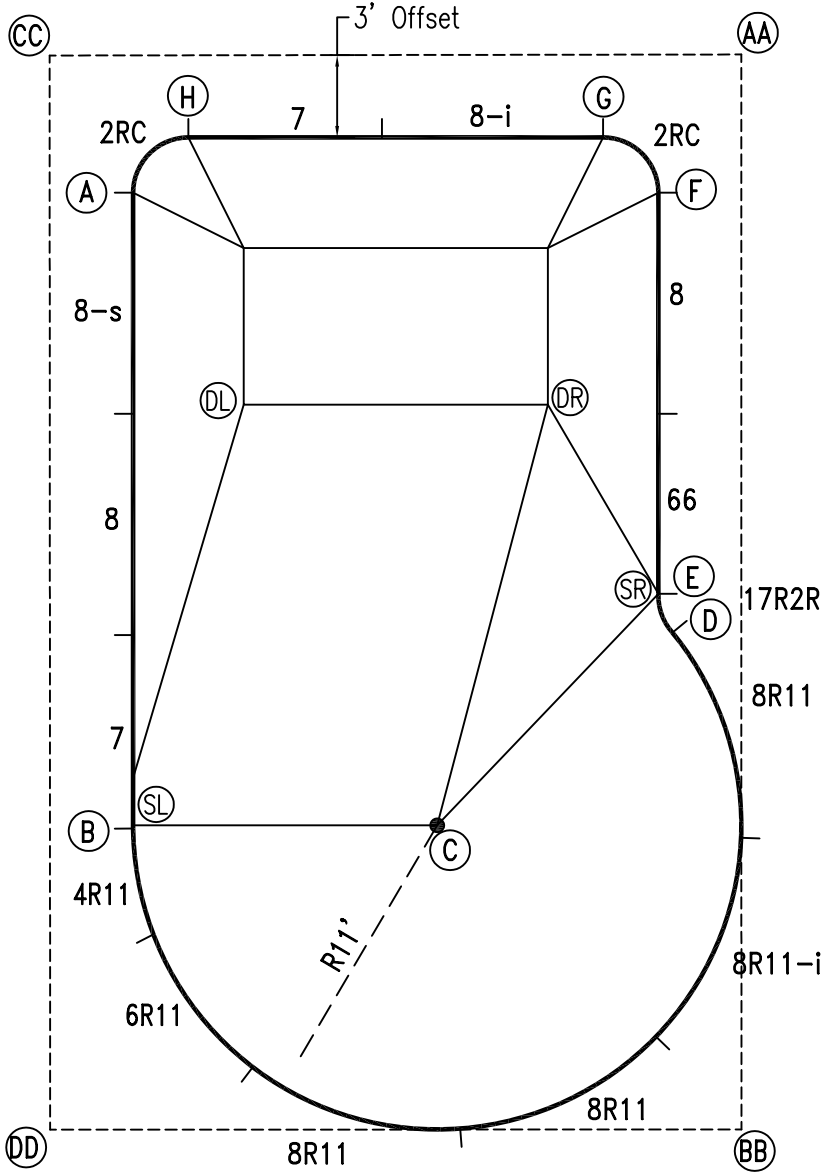
From Point "A" to:-		From Point "B" to:-	
B	23'-0"	B	
C	25'-4 3/4"	C	11'-0"
D	25'-2 1/8"	D	20'-9"
E	23'-10 7/8"	E	20'-9 3/4"
F	19'-0"	F	29'-9 7/8"
G	17'-1 3/8"	G	30'-2 3/4"
H	2'-9 7/8"	H	25'-0 7/8"
SR	23'-10 7/8"	SR	20'-9 3/4"
SL	23'-0"	SL	0'-0"
DR	16'-10 1/8"	DR	21'-5 3/8"
DL	8'-7 3/4"	DL	15'-10 1/8"

NOTICE

SWIMMING POOLS AND ACCESSORIES (INCLUDING DIVING BOARDS) ARE DANGEROUS WHEN IMPROPERLY USED OR INSTALLED. IT IS THE RESPONSIBILITY OF MUNICIPAL OFFICIALS, BUILDERS AND POOL OWNERS TO ADHERE TO ALL SAFETY RECOMMENDATIONS AND STANDARDS ISSUED BY THE POOL & HOT TUB COUNCIL, LOCAL AUTHORITIES AND EQUIPMENT MANUFACTURERS. PLEASE REFER TO DIVING BOARD MANUFACTURERS FOR CORRECT POSITIONING AND INSTALLATION OF DIVING EQUIPMENT.

EXTERNAL INSTALLATION DATA

AA TO:	BB TO:	CC TO:	DD TO:
AA	AA 38'-10 5/8"	AA 25'-0 1/4"	AA 46'-2 7/8"
BB	BB --	BB 46'-2 1/2"	BB 25'-0"
CC	CC --	CC --	CC 38'-10 1/4"
A	A 22'-6 3/4"	A 40'-4 7/8"	A 5'-9 3/4"
B	B 35'-7 1/4"	B 24'-6 5/8"	B 28'-1 1/2"
C	C 29'-11 3/4"	C 15'-6 3/4"	C 31'-2 1/8"
D	D 21'-0 3/4"	D 18'-1 3/4"	D 30'-8 1/2"
E	E 19'-8 7/8"	E 19'-7 3/8"	E 29'-4 3/4"
F	F 5'-9 7/8"	F 34'-0 1/4"	F 22'-6 7/8"
G	G 5'-9 7/8"	G 36'-2 3/4"	G 20'-2 7/8"
H	H 20'-2 5/8"	H 41'-1"	H 5'-9 7/8"
SR	SR 19'-8 7/8"	SR 19'-7 3/8"	SR 29'-4 3/4"
SL	SL 35'-7 1/4"	SL 24'-6 5/8"	SL 28'-1 1/2"
DR	DR 14'-5 5/8"	DR 27'-1 5/8"	DR 22'-0 1/8"
DL	DL 22'-0 1/8"	DL 31'-9 5/8"	DL 14'-5 3/8"



NOTICE

SWIMMING POOLS AND ACCESSORIES (INCLUDING DIVING BOARDS) ARE DANGEROUS WHEN IMPROPERLY USED OR INSTALLED. IT IS THE RESPONSIBILITY OF MUNICIPAL OFFICIALS, BUILDERS AND POOL OWNERS TO ADHERE TO ALL SAFETY RECOMMENDATIONS AND STANDARDS ISSUED BY THE POOL & HOT TUB COUNCIL, LOCAL AUTHORITIES AND EQUIPMENT MANUFACTURERS. PLEASE REFER TO DIVING BOARD MANUFACTURERS FOR CORRECT POSITIONING AND INSTALLATION OF DIVING EQUIPMENT.

HIGHBURY POOLS LTD

CAPRI - RIGHT 22 X 36

DRAWING REFERENCE #  
5-22-36-2

DRAWN BY: JB  
REV. 21 NOV 2006  
SHEET 2 OF 2