

MISCELLANEOUS INFORMATION

PERIMETER:	81'7"
SURFACE AREA:	446 SQ FT
VOLUME:	13691 IMP GALS 62294 LITER

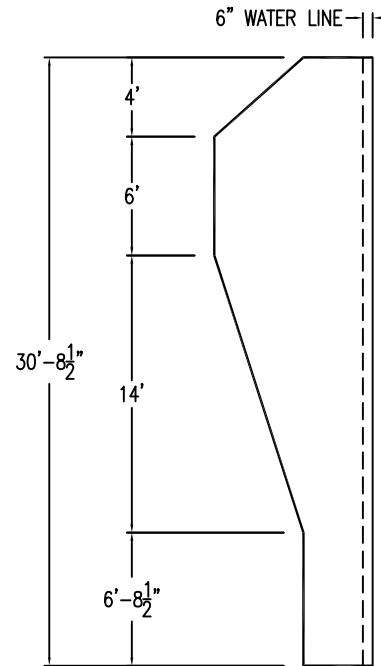
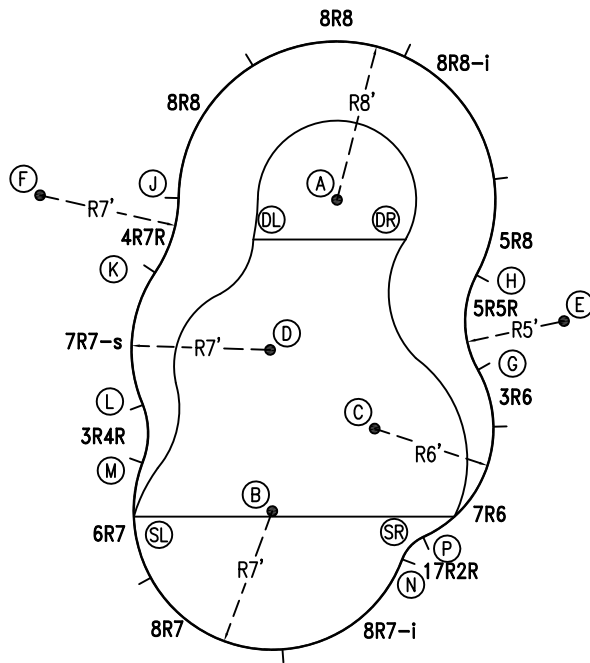
CONCRETE DECK INFO

WIDTH	AREA	NET INCREASES FOR:			
		STEPS	DIVING	SLIDE	ROLLER
2'	175	13	27	24	10
2'6"	223	17	31	20	10
3'	273	20	36	16	10

All Figures Represent "Sq Ft"

PARTS LIST

CODE	QTY	DESCRIPTION
8R8	2	8' Plain x 8' Radius
8R8-i	1	8' Return x 8' Radius
5R8	1	5' Plain x 8' Radius
5R5R	1	5' Plain x 5' Reverse Radius
3R6	1	3' Plain x 6' Radius
7R6	1	7' Plain x 6' Radius
17R2R	1	1'7" Plain x 2' Reverse Radius
8R7-i	1	8' Return x 7' Radius
8R7	1	8' Plain x 7' Radius
6R7	1	6' Plain x 7' Radius
3R4R	1	3' Plain x 4' Reverse Radius
7R7-s	1	7' Skimmer x 7' Radius
4R7R	1	4' Plain x 7' Reverse Radius
AF	14	A-Frame
S	28	Stakes
NB	84	Nuts & Bolts

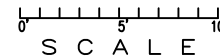


INSTALLATION DATA

From Point "A" to:-		From Point "B" to:-	
B	16'-0 3/4"	B	6'-7 3/4"
C	11'-8 1/2"	C	8'-1 3/4"
D	8'-3 1/2"	D	8'-1 3/4"
E	13'-0"	E	17'-7"
F	15'-0"	F	19'-9 1/2"
G	11'-1 3/4"	G	12'-7 1/4"
H	8'-0"	H	15'-9 1/4"
J	8'-0"	J	16'-6"
K	9'-10 3/4"	K	13'-5"
L	14'-3"	L	8'-5 1/2"
M	16'-6 1/4"	M	7'-0"
N	18'-5 1/4"	N	7'-0"
P	17'-6 3/4"	P	7'-8 3/4"
SL	19'-0"	SL	7'-0"
SR	17'-0 3/4"	SR	9'-2 1/2"
DL	4'-8"	DL	13'-9"
DR	4'-0"	DR	15'-3 1/2"

18'-4 1/2"

*ALL DIMENSIONS ARE FINISHED



NOTICE

SWIMMING POOLS AND ACCESSORIES (INCLUDING DIVING BOARDS) ARE DANGEROUS WHEN IMPROPERLY USED OR INSTALLED. IT IS THE RESPONSIBILITY OF MUNICIPAL OFFICIALS, BUILDERS AND POOL OWNERS TO ADHERE TO ALL SAFETY RECOMMENDATIONS AND STANDARDS ISSUED BY THE POOL & HOT TUB COUNCIL, LOCAL AUTHORITIES AND EQUIPMENT MANUFACTURERS. PLEASE REFER TO DIVING BOARD MANUFACTURERS FOR CORRECT POSITIONING AND INSTALLATION OF DIVING EQUIPMENT.

EXTERNAL INSTALLATION DATA

AA TO:	BB TO:	CC TO:	DD TO:
AA --	AA 30'-8 3/4"	AA 18'-4 1/2"	AA 35'-9 1/2"
BB --	BB --	BB 35'-9 1/2"	BB 18'-4 1/2"
CC --	CC --	CC --	CC 30'-8 3/4"
A 13'-1 1/4"	A 24'-11 3/4"	A 11'-3 3/4"	A 24'-1"
B 24'-9 1/4"	B 9'-11 3/4"	B 26'-3"	B 13'-3 1/4"
C 23'-1"	C 16'-7 1/4"	C 20'-5 3/4"	C 12'-8 3/4"
D 17'-0 3/4"	D 16'-8 1/4"	D 19'-3 1/2"	D 18'-11 1/4"
E 26'-0"	E 27'-5 1/4"	E 14'-6 1/2"	E 16'-11 1/2"
F 9'-0 1/2"	F 23'-4 3/4"	F 24'-3 1/4"	F 32'-5 3/4"
G 24'-1 1/4"	G 22'-5 3/4"	G 16'-7 1/4"	G 14'-1 3/4"
H 21'-0 1/2"	H 25'-8 1/2"	H 11'-10"	H 18'-11 1/4"
J 8'-3"	J 22'-11 1/4"	J 17'-10"	J 27'-10 1/4"
K 11'-8 3/4"	K 19'-1"	K 20'-9 1/4"	K 25'-7 3/4"
L 18'-4 1/4"	L 12'-4 1/2"	L 25'-6 3/4"	L 21'-8"
M 21'-3 1/2"	M 9'-5 1/2"	M 27'-9 1/4"	M 20'-2"
N 29'-6"	N 14'-5"	N 26'-6 3/4"	N 6'-6 3/4"
P 29'-0 1/2"	P 15'-9 1/2"	P 25'-3 1/2"	P 6'-9"
SL 24'-0"	SL 6'-8 3/4"	SL 30'-1 3/4"	SL 19'-5 1/2"
SR 29'-0 1/4"	SR 17'-7 3/4"	SR 24'-1"	SR 7'-0 1/4"
DL 11'-8 3/4"	DL 21'-7 1/4"	DL 15'-9 1/2"	DL 24'-0 3/4"
DR 17'-0 3/4"	DR 24'-11"	DR 10'-11 3/4"	DR 21'-2 1/2"

DIAGONALS

From Point "G" to:-	From Point "H" to:-
H 4'-9 1/2"	H
J 17'-5 1/4"	J 15'-6 3/8"
K 17'-0 3/8"	K 16'-2 3/4"
L 17'-0 1/8"	L 18'-0 7/8"
M 17'-7 1/8"	M 19'-4 1/4"
N 10'-3 5/8"	N 14'-10"
P 8'-10 5/8"	P 13'-6"

NOTICE

SWIMMING POOLS AND ACCESSORIES (INCLUDING DIVING BOARDS) ARE DANGEROUS WHEN IMPROPERLY USED OR INSTALLED. IT IS THE RESPONSIBILITY OF MUNICIPAL OFFICIALS, BUILDERS AND POOL OWNERS TO ADHERE TO ALL SAFETY RECOMMENDATIONS AND STANDARDS ISSUED BY THE POOL & HOT TUB COUNCIL, LOCAL AUTHORITIES AND EQUIPMENT MANUFACTURERS. PLEASE REFER TO DIVING BOARD MANUFACTURERS FOR CORRECT POSITIONING AND INSTALLATION OF DIVING EQUIPMENT.

