

MISCELLANEOUS INFORMATION

PERIMETER:	95'
SURFACE AREA:	600 SQ FT
VOLUME:	17751 IMP GALS 80767 LITER

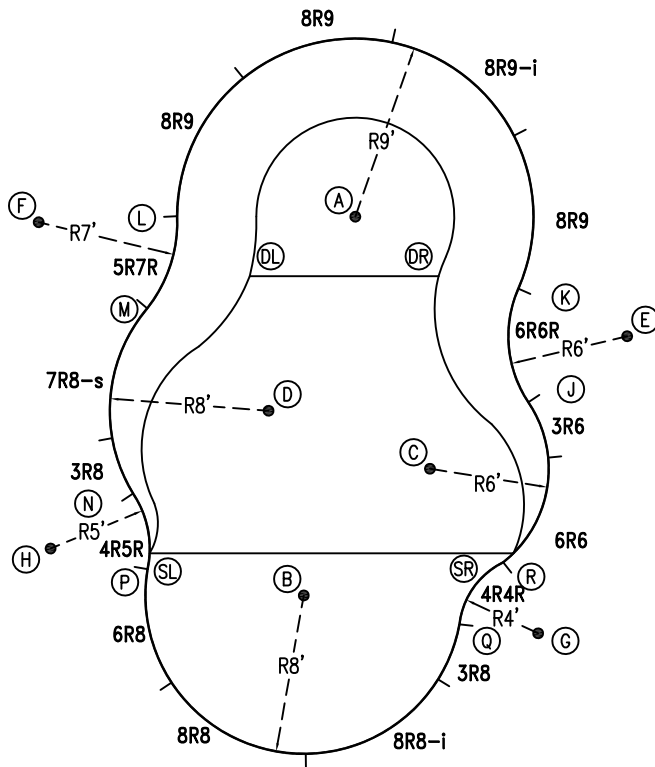
CONCRETE DECK INFO

WIDTH	AREA	NET INCREASES FOR:			
		STEPS	DIVING	SLIDE	ROLLER
2'	203	13	27	24	10
2'6"	257	17	31	20	10
3'	314	20	36	16	10

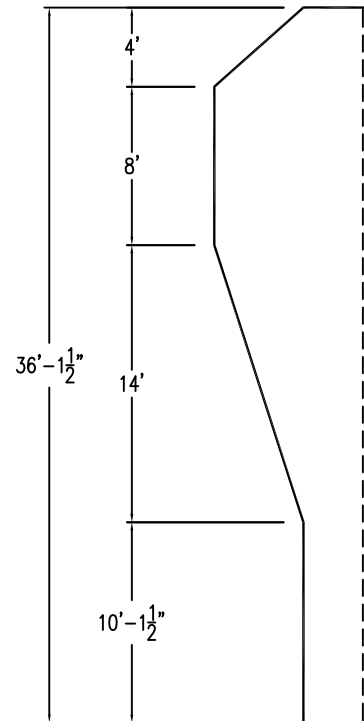
All Figures Represent "Sq Ft"

PARTS LIST

CODE	QTY	DESCRIPTION
8R9	3	8' Plain x 9' Radius
8R9-i	1	8' Return x 9' Radius
6R6R	1	6' Plain x 6' Reverse Radius
3R6	1	3' Plain x 6' Radius
6R6	1	6' Plain x 6' Radius
4R4R	1	4' Plain x 4' Reverse Radius
3R8	2	3' Plain x 8' Radius
8R8-i	1	8' Return x 8' Radius
8R8	1	8' Plain x 8' Radius
6R8	1	6' Plain x 8' Radius
4R5R	1	4' Plain x 5' Reverse Radius
7R8-s	1	7' Skimmer x 8' Radius
5R7R	1	5' Plain x 7' Reverse Radius
AF	16	A-Frame
S	32	Stakes
NB	96	Nuts & Bolts



6" WATER LINE

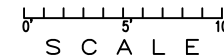


INSTALLATION DATA

From Point "A" to:-		From Point "B" to:-	
B	19'-3 1/2"	B	9'-0 1/4"
C	13'-3 1/4"	C	9'-5 3/4"
D	10'-8 3/4"	D	9'-5 3/4"
E	15'-0"	E	20'-11 1/4"
F	16'-0"	F	23'-1 1/2"
G	22'-11 3/4"	G	11'-11 3/4"
H	22'-9"	H	13'-0"
J	12'-9 3/4"	J	14'-11 1/2"
K	9'-0"	K	18'-10 3/4"
L	9'-0"	L	20'-2 1/4"
M	11'-5 3/4"	M	16'-6"
N	17'-11"	N	10'-0 1/2"
P	20'-7 3/4"	P	8'-0"
Q	21'-2 3/4"	Q	8'-0"
R	18'-11 3/4"	R	10'-2 1/2"
SL	19'-11"	SL	8'-0 3/4"
SR	18'-9 1/4"	SR	10'-9 1/2"
DL	6'-1 1/2"	DL	16'-4 1/4"
DR	5'-1 3/4"	DR	17'-6"

22'-2"

*ALL DIMENSIONS ARE FINISHED



NOTICE

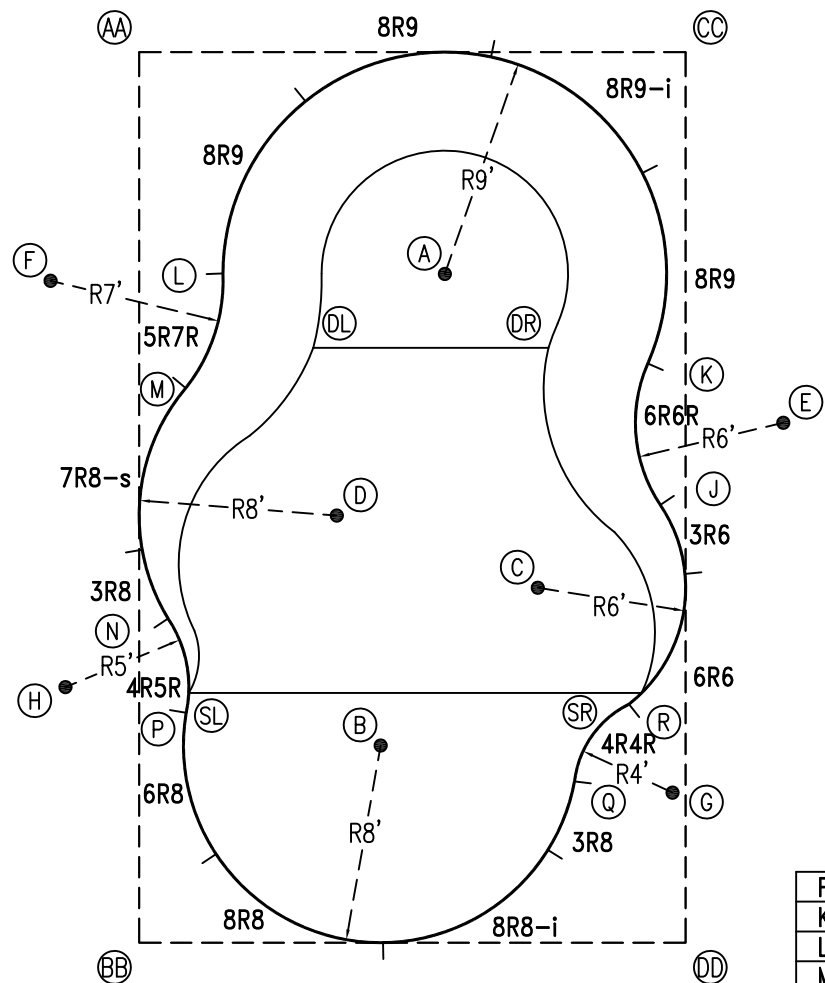
SWIMMING POOLS AND ACCESSORIES (INCLUDING DIVING BOARDS) ARE DANGEROUS WHEN IMPROPERLY USED OR INSTALLED. IT IS THE RESPONSIBILITY OF MUNICIPAL OFFICIALS, BUILDERS AND POOL OWNERS TO ADHERE TO ALL SAFETY RECOMMENDATIONS AND STANDARDS ISSUED BY THE POOL & HOT TUB COUNCIL, LOCAL AUTHORITIES AND EQUIPMENT MANUFACTURERS. PLEASE REFER TO DIVING BOARD MANUFACTURERS FOR CORRECT POSITIONING AND INSTALLATION OF DIVING EQUIPMENT.

HIGHBURY POOLS LTD

CARIBBEAN - RIGHT 18 x 22 x 36

DRAWING REFERENCE #
5A-22-36-2

DRAWN BY: JK
REV. 16 AUG 13
SHEET 1 OF 2

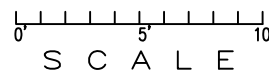


EXTERNAL INSTALLATION DATA

AA TO:	BB TO:	CC TO:	DD TO:
AA ---	AA 36'-1 1/2"	AA 22'-2"	AA 42'-4 1/2"
BB ---	BB ---	BB 42'-4 1/2"	BB 22'-2"
CC ---	CC ---	CC ---	CC 36'-1 1/2"
A 15'-3 3/4"	A 29'-9 3/4"	A 13'-3 1/4"	A 28'-10"
B 29'-9 1/4"	B 12'-7 3/4"	B 30'-8 3/4"	B 14'-8 3/4"
C 27'-1"	C 21'-7 3/4"	C 22'-6 1/2"	C 15'-7"
D 20'-5 1/4"	D 19'-1"	D 23'-6 1/4"	D 22'-4 1/2"
E 30'-1 3/4"	E 33'-6 3/4"	E 15'-6 1/2"	E 21'-5 1/2"
F 9'-11 1/4"	F 27'-1"	F 27'-4 1/2"	F 37'-2 1/2"
G 37'-0 1/4"	G 22'-5 3/4"	G 30'-0 1/2"	G 6'-1 1/4"
H 25'-11 1/4"	H 10'-9 1/2"	H 36'-0"	H 27'-2 1/2"
J 28'-0"	J 27'-7 1/4"	J 18'-4 3/4"	J 17'-9 1/2"
K 24'-2 1/4"	K 31'-3 1/4"	K 12'-8 3/4"	K 23'-6 1/2"
L 9'-7 1/4"	L 27'-4 1/4"	L 20'-9 1/2"	L 33'-0"
M 13'-9"	M 22'-6 3/4"	M 24'-5 1/4"	M 30'-3 1/2"
N 23'-0"	N 13'-2 1/2"	N 31'-1 1/2"	N 24'-9 1/4"
P 26'-10 1/4"	P 9'-6 1/4"	P 33'-7"	P 22'-3 1/2"
Q 34'-5 1/2"	Q 18'-10"	Q 29'-11"	Q 7'-11 1/4"
R 33'-1"	R 22'-1 1/4"	R 26'-6 1/2"	R 9'-11 1/4"
SL 26'-0 3/4"	SL 10'-3 3/4"	SL 32'-10 3/4"	SL 22'-6 3/4"
SR 33'-0 1/2"	SR 22'-9"	SR 26'-0 3/4"	SR 10'-3 1/4"
DL 13'-11"	DL 25'-1 3/4"	DL 19'-3 1/2"	DL 28'-5 1/2"
DR 20'-5 3/4"	DR 29'-3 1/2"	DR 13'-2 3/4"	DR 24'-9"

DIAGONALS

From Point "J" to:-	From Point "K" to:-
K 5'-9 1/8"	K
L 20'-0 7/8"	L 17'-7 3/8"
M 19'-9 7/8"	M 18'-9 1/4"
N 20'-5 7/8"	N 22'-0 1/2"
P 21'-0"	P 23'-5 3/4"
Q 11'-8 7/8"	Q 17'-2 1/2"
R 8'-2 1/8"	R 13'-10 1/8"



NOTICE

SWIMMING POOLS AND ACCESSORIES (INCLUDING DIVING BOARDS) ARE DANGEROUS WHEN IMPROPERLY USED OR INSTALLED. IT IS THE RESPONSIBILITY OF MUNICIPAL OFFICIALS, BUILDERS AND POOL OWNERS TO ADHERE TO ALL SAFETY RECOMMENDATIONS AND STANDARDS ISSUED BY THE POOL & HOT TUB COUNCIL, LOCAL AUTHORITIES AND EQUIPMENT MANUFACTURERS. PLEASE REFER TO DIVING BOARD MANUFACTURERS FOR CORRECT POSITIONING AND INSTALLATION OF DIVING EQUIPMENT.