

MISCELLANEOUS INFORMATION

PERIMETER:	106'
SURFACE AREA:	737 SQ FT
VOLUME:	21595 IMP GALS 98257 LITER

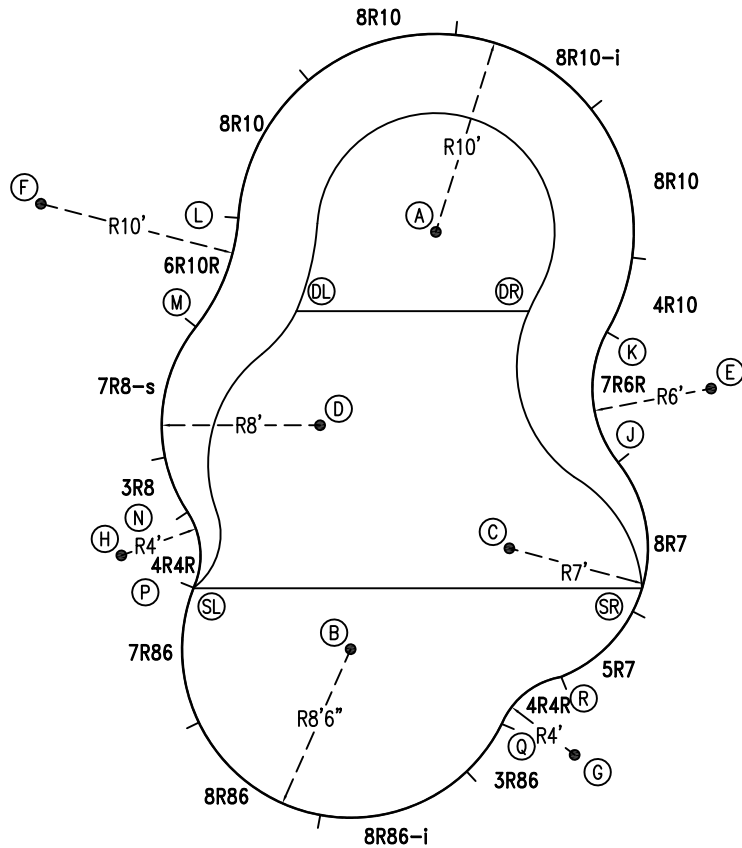
CONCRETE DECK INFO

WIDTH	AREA	NET INCREASES FOR:			
		STEPS	DIVING	SLIDE	ROLLER
2'	225	13	27	24	10
2'6"	285	17	31	20	10
3'	347	20	36	16	10

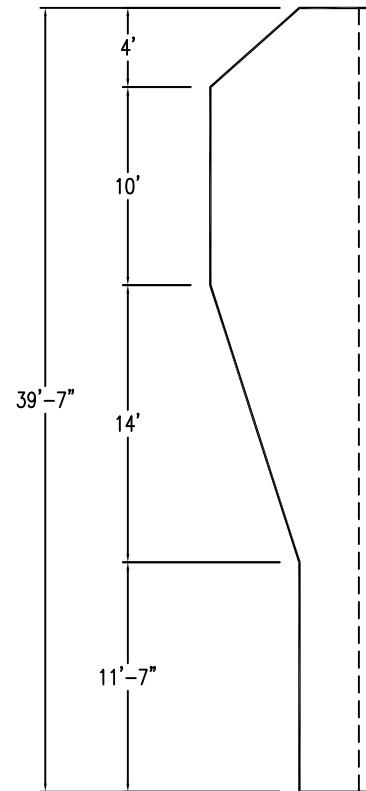
All Figures Represent "Sq Ft"

PARTS LIST

CODE	QTY	DESCRIPTION
8R10	3	8' Plain x 10' Radius
8R10-i	1	8' Return x 10' Radius
4R10	1	4' Plain x 10' Radius
7R6R	1	7' Plain x 6' Reverse Radius
8R7	1	8' Plain x 7' Radius
5R7	1	5' Plain x 7' Radius
4R4R	2	4' Plain x 4' Reverse Radius
3R86	1	3' Plain x 8'6" Radius
8R86-i	1	8' Return x 8'6" Radius
8R86	1	8' Plain x 8'6" Radius
7R86	1	7' Plain x 8'6" Radius
3R8	1	3' Plain x 8' Radius
7R8-s	1	7' Skimmer x 8' Radius
6R10R	1	6' Plain x 10' Reverse Radius
AF	17	A-Frame
S	34	Stakes
NB	102	Nuts & Bolts



6" WATER LINE



INSTALLATION DATA

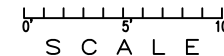
From Point "A" to:-		From Point "B" to:-	
B	21'-6"	B	9'-5 3/4"
C	16'-4 3/4"	C	11'-4 3/4"
D	11'-4 1/2"	D	22'-5 1/2"
E	16'-0"	E	27'-4 3/4"
F	20'-0"	F	12'-6"
G	27'-3 3/4"	G	12'-6"
H	22'-9 1/2"	H	16'-5 3/4"
J	14'-10"	J	20'-7"
K	10'-0"	K	22'-6"
L	10'-0"	L	18'-0 1/2"
M	13'-0 1/4"	M	10'-9"
N	18'-10 3/4"	N	8'-6 1/4"
P	21'-8 3/4"	P	10'-8 3/4"
Q	25'-0 3/4"	Q	8'-6 1/4"
R	23'-4 1/4"	R	15'-0 1/2"
SL	21'-9 1/4"	SL	17'-3 1/2"
SR	20'-9 1/2"	SR	19'-3 1/2"
DL	8'-1"	DL	
DR	6'-2"	DR	

NOTICE

SWIMMING POOLS AND ACCESSORIES (INCLUDING DIVING BOARDS) ARE DANGEROUS WHEN IMPROPERLY USED OR INSTALLED. IT IS THE RESPONSIBILITY OF MUNICIPAL OFFICIALS, BUILDERS AND POOL OWNERS TO ADHERE TO ALL SAFETY RECOMMENDATIONS AND STANDARDS ISSUED BY THE POOL & HOT TUB COUNCIL, LOCAL AUTHORITIES AND EQUIPMENT MANUFACTURERS. PLEASE REFER TO DIVING BOARD MANUFACTURERS FOR CORRECT POSITIONING AND INSTALLATION OF DIVING EQUIPMENT.

24'-6 1/2"

*ALL DIMENSIONS ARE FINISHED

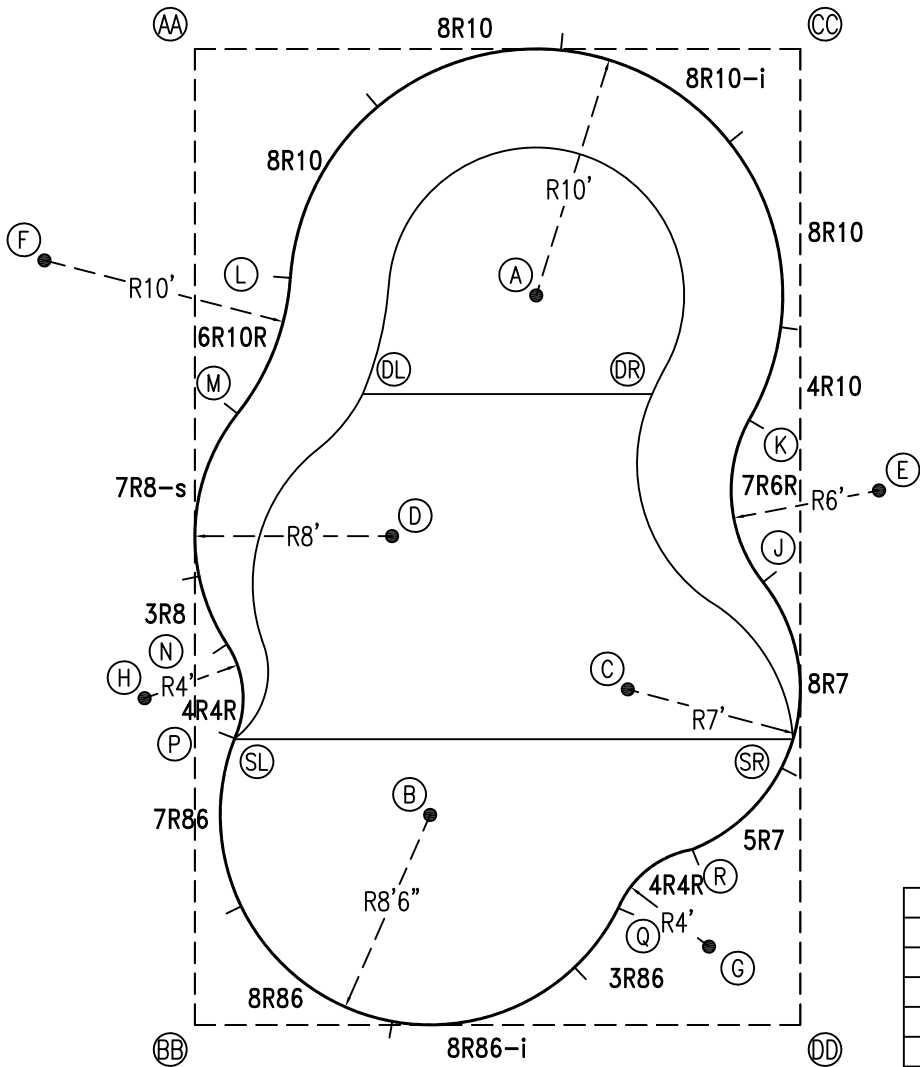


HIGHBURY POOLS LTD

CARIBBEAN - RIGHT 20 x 25 x 40

DRAWING REFERENCE #
5A-24-40-2

DRAWN BY: JK
REV. 16 AUG 13
SHEET 1 OF 2

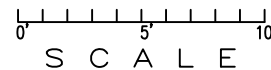


EXTERNAL INSTALLATION DATA

AA TO:	BB TO:	CC TO:	DD TO:
AA ---	AA 39'-7"	AA 24'-6 3/4"	AA 46'-7"
BB ---	BB ---	BB 46'-7"	BB 24'-6 3/4"
CC ---	CC ---	CC ---	CC 39'-7"
A 17'-0 3/4"	A 32'-8"	A 14'-7 3/4"	A 31'-5 1/2"
B 32'-6"	B 12'-9 1/2"	B 34'-6"	B 17'-3"
C 31'-4 1/4"	C 22'-2 1/2"	C 26'-10 3/4"	C 15'-3 1/2"
D 21'-3 3/4"	D 21'-4 1/2"	D 25'-9 1/2"	D 25'-10"
E 33'-0 1/4"	E 35'-2 1/2"	E 18'-2 1/4"	E 21'-10 3/4"
F 10'-6 1/4"	F 31'-7 1/4"	F 31'-10"	F 43'-7 1/4"
G 41'-11 1/2"	G 21'-1"	G 36'-7 1/4"	G 4'-10 1/2"
H 26'-5"	H 13'-4 3/4"	H 37'-5 1/4"	H 29'-8 1/2"
J 31'-7 1/4"	J 29'-2 1/2"	J 21'-8 1/4"	J 18'-0 1/4"
K 27'-0 1/2"	K 33'-3 1/4"	K 15'-2 1/4"	K 24'-7 1/2"
L 10'-0 3/4"	L 30'-6 1/2"	L 22'-8"	L 36'-8 1/4"
M 14'-10 3/4"	M 24'-10 1/4"	M 27'-2 1/2"	M 33'-8 1/2"
N 24'-2 1/4"	N 15'-5 3/4"	N 33'-6 1/4"	N 27'-10 3/4"
P 28'-0 1/4"	P 11'-8 3/4"	P 36'-2"	P 25'-8 1/2"
Q 38'-10 1/4"	Q 17'-9 3/4"	Q 35'-7 1/2"	Q 8'-9 1/4"
R 38'-2 3/4"	R 21'-4 3/4"	R 32'-9 1/4"	R 8'-4 1/4"
SL 28'-0 1/2"	SL 11'-8 1/4"	SL 36'-2 1/2"	SL 25'-8 1/2"
SR 37'-0 1/2"	SR 26'-10 3/4"	SR 28'-0"	SR 11'-7"
DL 15'-6 3/4"	DL 26'-5 3/4"	DL 22'-7 1/4"	DL 31'-1 3/4"
DR 23'-2 3/4"	DR 31'-7 1/4"	DR 15'-2 3/4"	DR 26'-3 1/2"

DIAGONALS

From Point "J" to:-	From Point "K" to:-
K 6'-7 3/8"	K
L 22'-9 3/4"	L 19'-5 3/4"
M 22'-4 5/8"	M 20'-8 7/8"
N 21'-10 5/8"	N 23'-0 1/2"
P 22'-4 1/4"	P 24'-6 1/2"
Q 14'-5 5/8"	Q 20'-6"
R 11'-2 1/2"	R 17'-6 7/8"



NOTICE

SWIMMING POOLS AND ACCESSORIES (INCLUDING DIVING BOARDS) ARE DANGEROUS WHEN IMPROPERLY USED OR INSTALLED. IT IS THE RESPONSIBILITY OF MUNICIPAL OFFICIALS, BUILDERS AND POOL OWNERS TO ADHERE TO ALL SAFETY RECOMMENDATIONS AND STANDARDS ISSUED BY THE POOL & HOT TUB COUNCIL, LOCAL AUTHORITIES AND EQUIPMENT MANUFACTURERS. PLEASE REFER TO DIVING BOARD MANUFACTURERS FOR CORRECT POSITIONING AND INSTALLATION OF DIVING EQUIPMENT.