

MISCELLANEOUS INFORMATION

PERIMETER:-	78'
SURFACE AREA:	376 SQ FT
VOLUME:	46984 IMP GALS 46984L

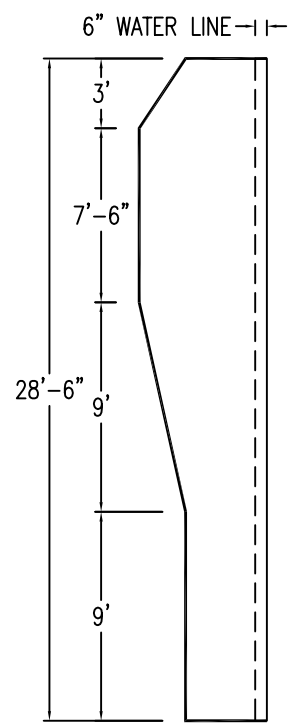
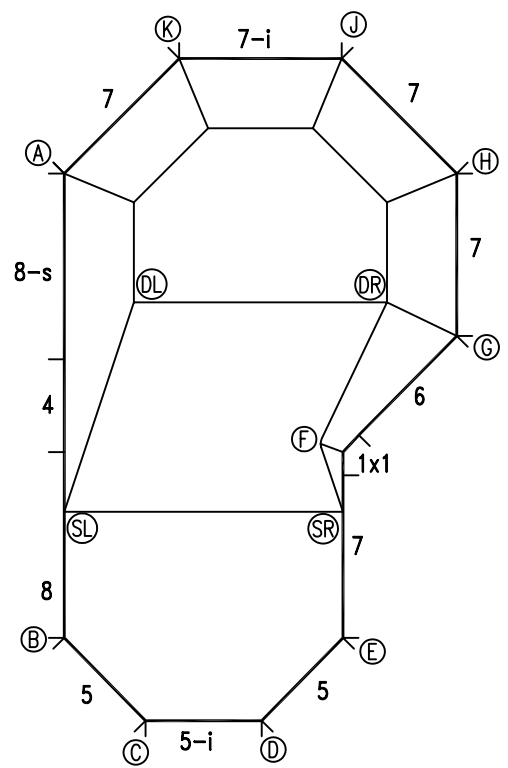
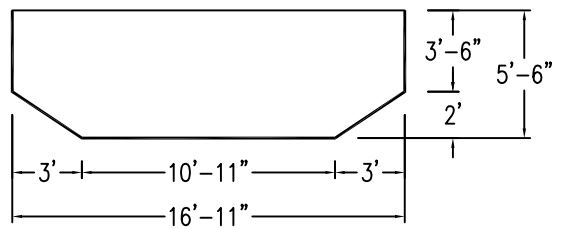
PARTS LIST

CODE	QTY	DESCRIPTION
8-s	1	8' Skimmer
7-i	1	7' Return
5-i	1	5' Return
8	1	8' Plain
7	4	7' Plain
6	1	6' Plain
5	2	5' Plain
4	1	4' Plain
1x1	1	1' x 1' 135 Degree Rev Corner
	9	45 Degree Corner Angles
AF	13	"A" Frames
S	26	Stakes
NB	78	Nuts & Bolts

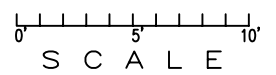
CONCRETE DECK INFO

WIDTH	AREA	NET INCREASES FOR:			
		STEPS	DIVING	SLIDE	ROLLER
2'	170	13	27	24	10
2'6"	216	17	31	20	10
3'	264	20	36	16	10

All Figures Represent "Sq Ft"



*ALL DIMENSIONS ARE FINISHED



INSTALLATION DATA

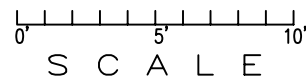
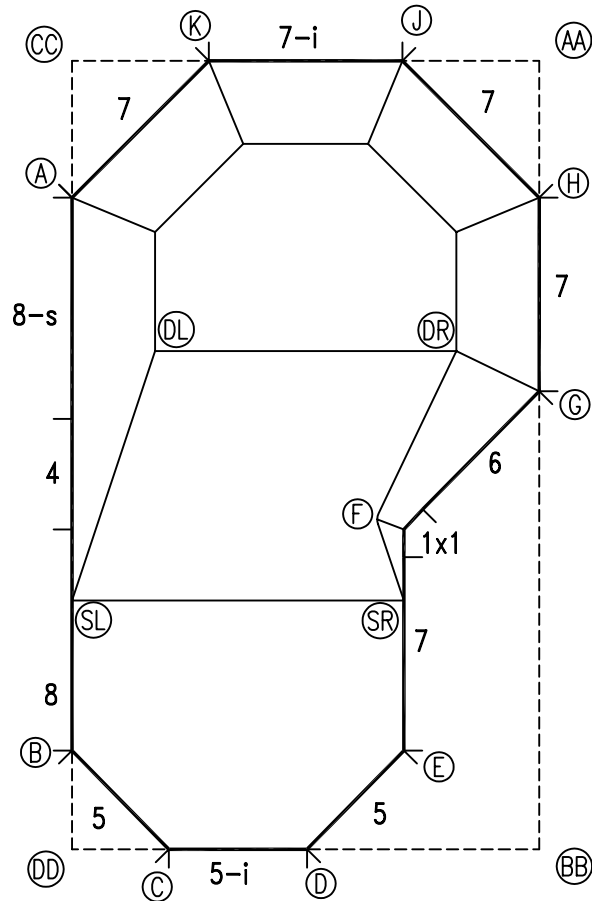
From Point "A" to:-		From Point "B" to:-	
B	20'-0"	B	5'-0"
C	23'-9 7/8"	C	9'-2 5/8"
D	25'-0 5/8"	D	12'-0"
E	23'-3 7/8"	E	14'-5 1/8"
F	16'-11 5/8"	F	21'-3 7/8"
G	18'-3 1/2"	G	26'-2 1/4"
H	16'-10 3/4"	H	27'-7 7/8"
J	12'-11 1/4"	J	25'-5 1/4"
K	7'-0"	SL	5'-5 1/8"
SL	14'-6 7/8"	SR	13'-2 1/8"
SR	18'-10 1/2"	DL	14'-9 1/8"
DL	6'-3 3/4"	DR	20'-0 5/8"
DR	14'-11 5/8"		

NOTICE

SWIMMING POOLS AND ACCESSORIES (INCLUDING DIVING BOARDS) ARE DANGEROUS WHEN IMPROPERLY USED OR INSTALLED. IT IS THE RESPONSIBILITY OF MUNICIPAL OFFICIALS, BUILDERS AND POOL OWNERS TO ADHERE TO ALL SAFETY RECOMMENDATIONS AND STANDARDS ISSUED BY THE POOL & HOT TUB COUNCIL, LOCAL AUTHORITIES AND EQUIPMENT MANUFACTURERS. PLEASE REFER TO DIVING BOARD MANUFACTURERS FOR CORRECT POSITIONING AND INSTALLATION OF DIVING EQUIPMENT.

EXTERNAL INSTALLATION DATA

AA TO:		BB TO:		CC TO:		DD TO:	
AA	--	AA	28'-6 1/4"	AA	16'-10 3/4"	AA	33'-1 3/4"
BB	--	BB	--	BB	33'-1 3/4"	BB	16'-10 3/4"
CC	--	CC	--	CC	--	CC	28'-6 1/4"
A	17'-7 3/8"	A	29'-0"	A	4'-11 3/8"	A	23'-6 7/8"
B	30'-1 5/8"	B	17'-3 1/4"	B	24'-11 3/8"	B	3'-6 7/8"
C	31'-6 1/8"	C	13'-4 3/4"	C	28'-8 3/4"	C	3'-6"
D	29'-8 3/4"	D	8'-4 3/4"	D	29'-9 1/8"	D	8'-6"
E	25'-5 1/8"	E	6'-0 3/4"	E	27'-8 1/4"	E	12'-6 1/4"
F	17'-7 3/4"	F	12'-6 3/4"	F	20'-9 1/4"	F	16'-8"
G	11'-11 3/8"	G	16'-6 7/8"	G	20'-8 3/8"	G	23'-8"
H	4'-11 3/8"	H	23'-6 7/8"	H	17'-7 3/8"	H	29'-0"
J	4'-11 3/8"	J	28'-11 3/8"	J	11'-11 3/8"	J	30'-11 1/8"
K	11'-11 3/8"	K	30'-11 1/8"	K	4'-11 3/8"	K	28'-11 3/8"
SL	25'-9 7/8"	SL	19'-1 3/4"	SL	19'-6 1/4"	SL	9'-0"
SR	20'-1 1/2"	SR	10'-2 7/8"	SR	22'-10 7/8"	SR	15'-0"
DL	17'-5"	DL	22'-9 1/8"	DL	10'-11"	DL	18'-3 1/4"
DR	10'-11"	DR	18'-3 1/4"	DR	17'-5"	DR	22'-9 1/8"



NOTICE

SWIMMING POOLS AND ACCESSORIES (INCLUDING DIVING BOARDS) ARE DANGEROUS WHEN IMPROPERLY USED OR INSTALLED. IT IS THE RESPONSIBILITY OF MUNICIPAL OFFICIALS, BUILDERS AND POOL OWNERS TO ADHERE TO ALL SAFETY RECOMMENDATIONS AND STANDARDS ISSUED BY THE POOL & HOT TUB COUNCIL, LOCAL AUTHORITIES AND EQUIPMENT MANUFACTURERS. PLEASE REFER TO DIVING BOARD MANUFACTURERS FOR CORRECT POSITIONING AND INSTALLATION OF DIVING EQUIPMENT.

HIGHBURY POOLS LTD

CAYMAN-RIGHT 17 x 29

DRAWING REFERENCE #
6-17-29-2

DRAWN BY: JB
REV. 21 NOV 2006
SHEET 2 OF 2