

MISCELLANEOUS INFORMATION

PERIMETER:	88'
SURFACE AREA:	489 SQ FT
VOLUME:	15514 IMP GALS 70589 LITER

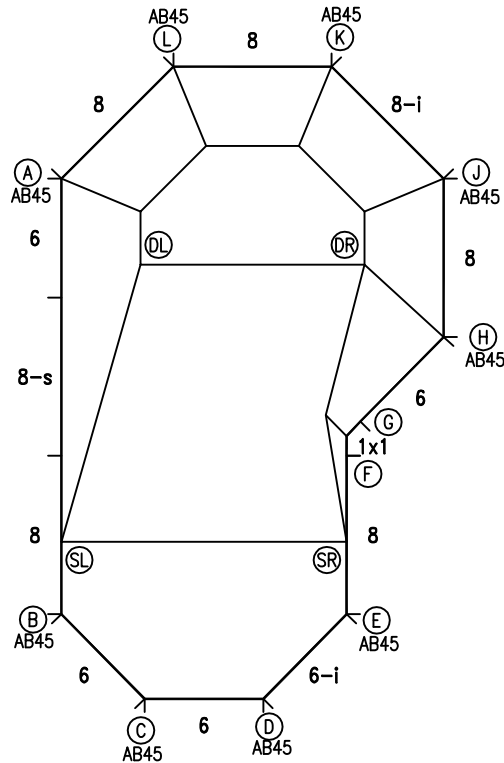
CONCRETE DECK INFO

WIDTH	AREA	NET INCREASES FOR:			
		STEPS	DIVING	SLIDE	ROLLER
2'	190	13	27	24	10
2'6"	241	17	31	20	10
3'	294	20	36	16	10

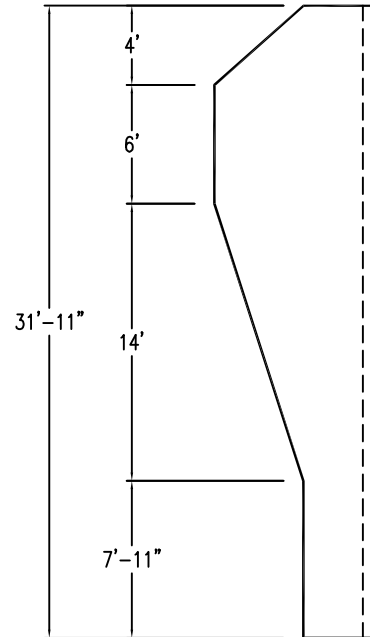
All Figures Represent "Sq Ft"

PARTS LIST

CODE	QTY	DESCRIPTION
6	4	6' Plain
AB45	9	45 Degree Angle Bracket
8	5	8' Plain
8-s	1	8' Skimmer
8-i	1	8' Return
1x1	1	1'x1' 135 Degree Rev Corner
6-i	1	6' Return
AF	13	A-Frame
S	26	Stakes
NB	78	Nuts & Bolts



6" WATER LINE

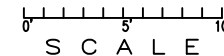


INSTALLATION DATA

From Point "A" to:-		From Point "B" to:-	
B	22'-0"	B	6'-0"
C	26'-7 1/4"	C	6'-0"
D	28'-2 1/4"	D	11'-0 3/4"
E	26'-3 1/2"	E	14'-4 3/4"
F	20'-1"	F	16'-5 3/4"
G	19'-5 1/2"	G	17'-11 1/2"
H	20'-10 3/4"	H	23'-10 1/4"
J	19'-3 3/4"	J	29'-3 1/4"
K	14'-9 1/4"	K	30'-10"
L	8'-0"	L	28'-2 3/4"
SL	18'-4"	SL	3'-7 3/4"
SR	23'-3 3/4"	SR	14'-10 1/2"
DL	5'-10 3/4"	DL	18'-1 1/4"
DR	15'-11"	DR	23'-4 1/2"

19'-4"

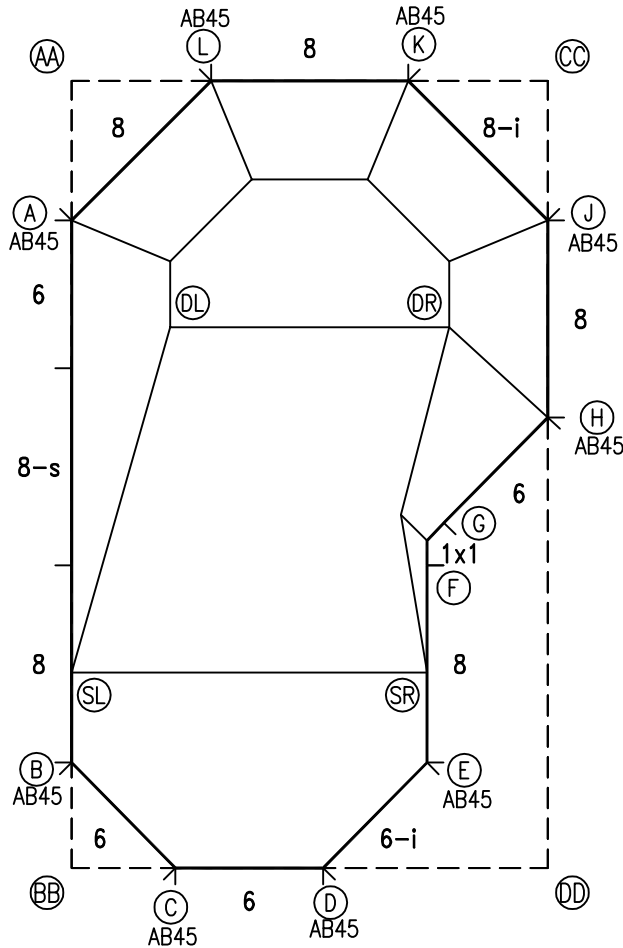
*ALL DIMENSIONS ARE FINISHED



NOTICE

SWIMMING POOLS AND ACCESSORIES (INCLUDING DIVING BOARDS) ARE DANGEROUS WHEN IMPROPERLY USED OR INSTALLED. IT IS THE RESPONSIBILITY OF MUNICIPAL OFFICIALS, BUILDERS AND POOL OWNERS TO ADHERE TO ALL SAFETY RECOMMENDATIONS AND STANDARDS ISSUED BY THE POOL & HOT TUB COUNCIL, LOCAL AUTHORITIES AND EQUIPMENT MANUFACTURERS. PLEASE REFER TO DIVING BOARD MANUFACTURERS FOR CORRECT POSITIONING AND INSTALLATION OF DIVING EQUIPMENT.

PERIMETER: 88'

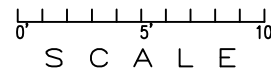


EXTERNAL INSTALLATION DATA

AA TO:	BB TO:	CC TO:	DD TO:
AA --	AA 31'-11 1/4"	AA 19'-3 3/4"	AA 37'-3 3/4"
BB --	BB --	BB 37'-3 3/4"	BB 19'-3 3/4"
CC --	CC --	CC --	CC 31'-11 1/4"
A 5'-7 3/4"	A 26'-3 1/4"	A 20'-1 1/2"	A 32'-7 1/4"
B 27'-7 3/4"	B 4'-3 1/4"	B 33'-8 3/4"	B 19'-9 1/4"
C 32'-2 1/2"	C 4'-2 1/2"	C 35'-3 3/4"	C 15'-1 1/4"
D 33'-6 1/4"	D 10'-2 1/2"	D 33'-2 1/2"	D 9'-1 1/4"
E 31'-2 1/4"	E 15'-0 1/4"	E 28'-1"	E 6'-6"
F 24'-4 1/2"	F 18'-11 1/4"	F 20'-3"	F 13'-2 1/2"
G 23'-5 1/4"	G 20'-7"	G 18'-4 3/4"	G 14'-7 1/2"
H 23'-7 3/4"	H 26'-7"	H 13'-7 3/4"	H 18'-3 1/4"
J 20'-1 1/2"	J 32'-7 1/4"	J 5'-7 3/4"	J 26'-3 1/4"
K 13'-7 3/4"	K 34'-8 3/4"	K 5'-7 3/4"	K 32'-5"
L 5'-7 3/4"	L 32'-5"	L 13'-7 3/4"	L 34'-8 3/4"
SL 24'-0"	SL 7'-11 1/4"	SL 30'-9 1/2"	SL 20'-10 1/2"
SR 28'-0"	SR 16'-5 1/2"	SR 24'-5 3/4"	SR 9'-3 3/4"
DL 10'-9 1/4"	DL 22'-3 1/2"	DL 18'-3 1/2"	DL 26'-9"
DR 18'-3 1/2"	DR 26'-9"	DR 10'-9 1/4"	DR 22'-3 1/2"

NOTICE

SWIMMING POOLS AND ACCESSORIES (INCLUDING DIVING BOARDS) ARE DANGEROUS WHEN IMPROPERLY USED OR INSTALLED. IT IS THE RESPONSIBILITY OF MUNICIPAL OFFICIALS, BUILDERS AND POOL OWNERS TO ADHERE TO ALL SAFETY RECOMMENDATIONS AND STANDARDS ISSUED BY THE POOL & HOT TUB COUNCIL, LOCAL AUTHORITIES AND EQUIPMENT MANUFACTURERS. PLEASE REFER TO DIVING BOARD MANUFACTURERS FOR CORRECT POSITIONING AND INSTALLATION OF DIVING EQUIPMENT.



HIGHBURY POOLS LTD

CAYMAN - RIGHT 19 x 19 x 32

DRAWING REFERENCE #
6-19-32-2

DRAWN BY: JK
REV. 19 JUN 13
SHEET 2 OF 2