

**MISCELLANEOUS INFORMATION**

|               |                            |
|---------------|----------------------------|
| PERIMETER:    | 96'                        |
| SURFACE AREA: | 547 SQ FT                  |
| VOLUME:       | 16590 IMP GALS 75484 LITER |

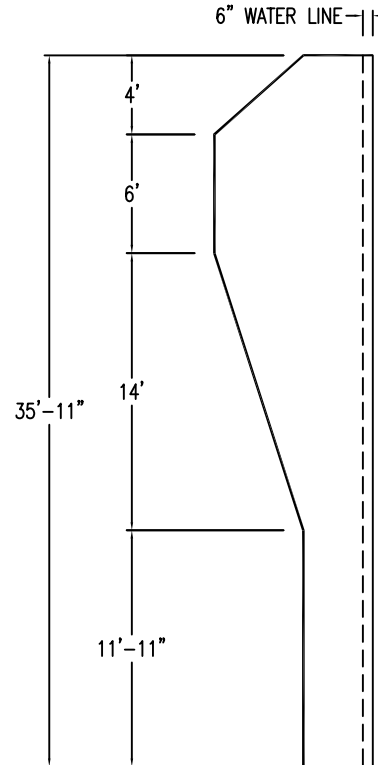
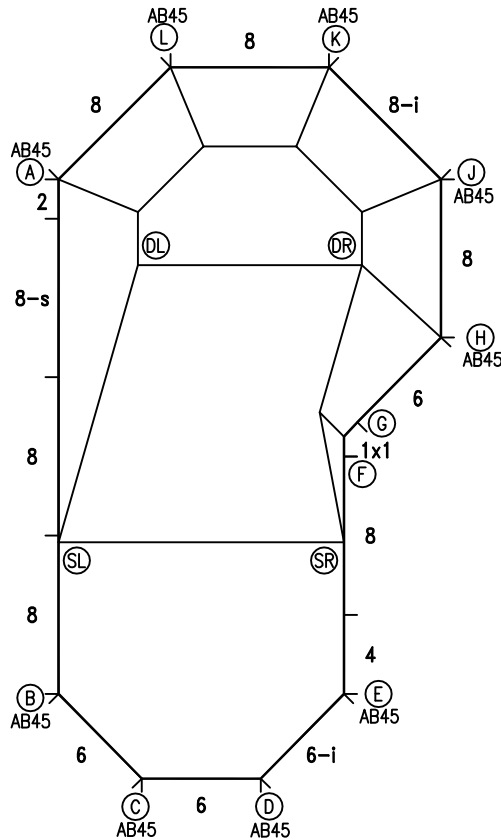
**CONCRETE DECK INFO**

| WIDTH | AREA | NET INCREASES FOR: |        |       |        |
|-------|------|--------------------|--------|-------|--------|
|       |      | STEPS              | DIVING | SLIDE | ROLLER |
| 2'    | 205  | 13                 | 27     | 24    | 10     |
| 2'6"  | 261  | 17                 | 31     | 20    | 10     |
| 3'    | 318  | 20                 | 36     | 16    | 10     |

All Figures Represent "Sq Ft"

**PARTS LIST**

| CODE | QTY | DESCRIPTION                 |
|------|-----|-----------------------------|
| 6    | 3   | 6' Plain                    |
| AB45 | 9   | 45 Degree Angle Bracket     |
| 8    | 6   | 8' Plain                    |
| 8-s  | 1   | 8' Skimmer                  |
| 2    | 1   | 2' Plain                    |
| 8-i  | 1   | 8' Return                   |
| 1x1  | 1   | 1'x1' 135 Degree Rev Corner |
| 4    | 1   | 4' Plain                    |
| 6-i  | 1   | 6' Return                   |
| AF   | 15  | A-Frame                     |
| S    | 30  | Stakes                      |
| NB   | 90  | Nuts & Bolts                |

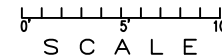


**INSTALLATION DATA**

| From Point "A" to:- |             | From Point "B" to:- |            |
|---------------------|-------------|---------------------|------------|
| B                   | 26'-0"      | B                   | 6'-0"      |
| C                   | 30'-6 3/4"  | C                   | 11'-0 3/4" |
| D                   | 31'-11 1/4" | D                   | 14'-4 3/4" |
| E                   | 29'-8 3/4"  | E                   | 18'-9"     |
| F                   | 20'-1"      | F                   | 20'-4 3/4" |
| G                   | 19'-5 1/2"  | G                   | 26'-4 3/4" |
| H                   | 20'-10 3/4" | H                   | 32'-4 1/2" |
| J                   | 19'-3 3/4"  | J                   | 34'-5 3/4" |
| K                   | 14'-9 1/4"  | K                   | 32'-1 3/4" |
| L                   | 8'-0"       | L                   | 7'-7 3/4"  |
| SL                  | 23'-3 3/4"  | SL                  | 16'-3 3/4" |
| SR                  | 5'-10 3/4"  | SR                  | 22'-0 1/4" |
| DL                  | 15'-11"     | DL                  | 26'-6 1/4" |

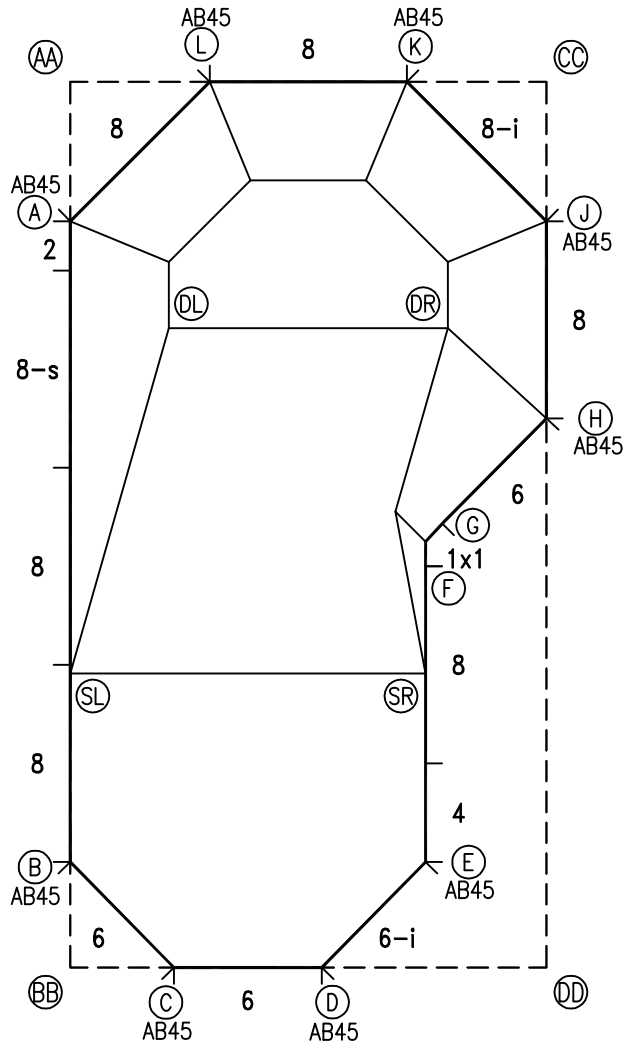
19'-4"

\*ALL DIMENSIONS ARE FINISHED



**NOTICE**

SWIMMING POOLS AND ACCESSORIES (INCLUDING DIVING BOARDS) ARE DANGEROUS WHEN IMPROPERLY USED OR INSTALLED. IT IS THE RESPONSIBILITY OF MUNICIPAL OFFICIALS, BUILDERS AND POOL OWNERS TO ADHERE TO ALL SAFETY RECOMMENDATIONS AND STANDARDS ISSUED BY THE POOL & HOT TUB COUNCIL, LOCAL AUTHORITIES AND EQUIPMENT MANUFACTURERS. PLEASE REFER TO DIVING BOARD MANUFACTURERS FOR CORRECT POSITIONING AND INSTALLATION OF DIVING EQUIPMENT.



EXTERNAL INSTALLATION DATA

| AA TO:        | BB TO:         | CC TO:        | DD TO:         |
|---------------|----------------|---------------|----------------|
| AA --         | AA 35'-11 1/4" | AA 19'-3 3/4" | AA 40'-9 1/2"  |
| BB --         | BB --          | BB 40'-9 1/2" | BB 19'-3 3/4"  |
| CC --         | CC --          | CC --         | CC 35'-11 1/4" |
| A 5'-7 3/4"   | A 30'-3 1/4"   | A 20'-1 1/2"  | A 35'-10 3/4"  |
| B 31'-7 3/4"  | B 4'-3 1/4"    | B 37'-1"      | B 19'-9 1/4"   |
| C 36'-2"      | C 4'-2 1/2"    | C 38'-11 3/4" | C 15'-1 1/4"   |
| D 37'-4 1/4"  | D 10'-2 1/2"   | D 37'-0 3/4"  | D 9'-1 1/4"    |
| E 34'-9 1/4"  | E 15'-0 1/4"   | E 32'-0 1/4"  | E 6'-6"        |
| F 24'-4 1/2"  | F 21'-8 3/4"   | F 20'-3"      | F 17'-0"       |
| G 23'-5 1/4"  | G 23'-5 3/4"   | G 18'-4 3/4"  | G 18'-5 3/4"   |
| H 23'-7 3/4"  | H 29'-5 3/4"   | H 13'-7 3/4"  | H 22'-3 1/4"   |
| J 20'-1 1/2"  | J 35'-10 3/4"  | J 5'-7 3/4"   | J 30'-3 1/4"   |
| K 13'-7 3/4"  | K 38'-5 1/4"   | K 5'-7 3/4"   | K 36'-4 1/2"   |
| L 5'-7 3/4"   | L 36'-4 1/2"   | L 13'-7 3/4"  | L 38'-5 1/4"   |
| SL 24'-0"     | SL 11'-11 1/4" | SL 30'-9 1/2" | SL 22'-8 1/2"  |
| SR 28'-0"     | SR 18'-8 1/2"  | SR 24'-5 3/4" | SR 12'-10 3/4" |
| DL 10'-9 1/4" | DL 26'-2 3/4"  | DL 18'-3 1/2" | DL 30'-1 1/4"  |
| DR 18'-3 1/2" | DR 30'-1 1/4"  | DR 10'-9 1/4" | DR 26'-2 3/4"  |

NOTICE

SWIMMING POOLS AND ACCESSORIES (INCLUDING DIVING BOARDS) ARE DANGEROUS WHEN IMPROPERLY USED OR INSTALLED. IT IS THE RESPONSIBILITY OF MUNICIPAL OFFICIALS, BUILDERS AND POOL OWNERS TO ADHERE TO ALL SAFETY RECOMMENDATIONS AND STANDARDS ISSUED BY THE POOL & HOT TUB COUNCIL, LOCAL AUTHORITIES AND EQUIPMENT MANUFACTURERS. PLEASE REFER TO DIVING BOARD MANUFACTURERS FOR CORRECT POSITIONING AND INSTALLATION OF DIVING EQUIPMENT.

