

MISCELLANEOUS INFORMATION

PERIMETER:-	114'10-1/4
SURFACE AREA:	779.1 SQ FT
VOLUME:	21670 IMP GALS 91451 L

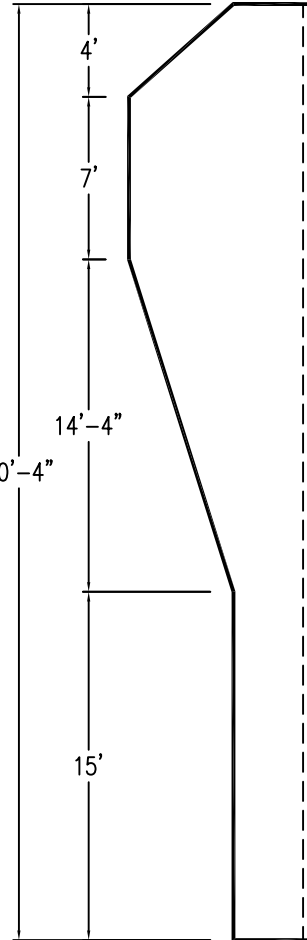
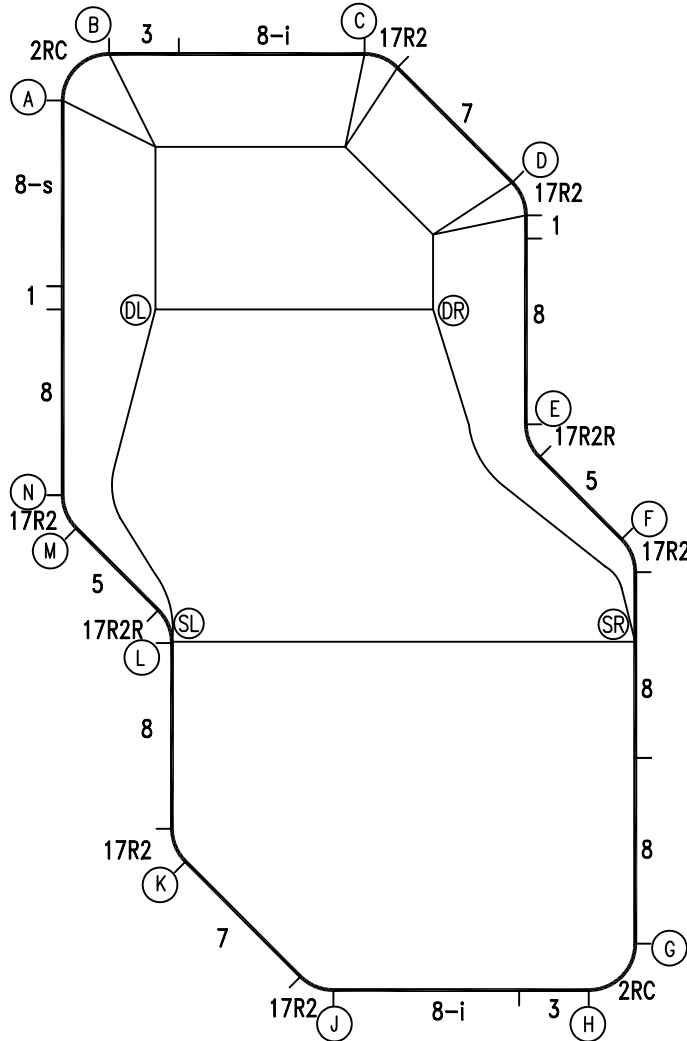
CONCRETE DECK INFO

WIDTH	AREA	NET INCREASES FOR:			
		STEPS	DIVING	SLIDE	ROLLER
2"	243	13	27	24	10
2'6"	307	17	31	20	10
3'	373	20	36	16	10

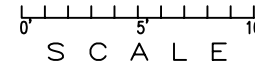
All Figures Represent "Sq Ft"

PARTS LIST

CODE	QTY	DESCRIPTION
8-s	1	8' Skimmer
8-i	2	8' Return
8	5	8' Plain
7	2	7' Plain
5	2	5' Plain
3	2	3' Plain
1	2	1' Plain
2RC	2	3'2" Plain x 2' Radius Corner
17R2	6	1'7" Plain x 2' Radius
17R2R	2	1'7" Plain x 2' Reverse Cnr
AF	26	A-Frame
S	52	Stake
NB	156	Nuts & Bolts



*ALL DIMENSIONS ARE FINISHED



INSTALLATION DATA

From Point "A" to:-		From Point "B" to:-	
B	2'-9 7/8"	B	
C	13'-1 7/8"	C	11'-0"
D	19'-8 1/4"	D	18'-2 3/4"
E	24'-4 1/8"	E	24'-0 1/8"
F	30'-7 1/4"	F	30'-4 3/4"
G	43'-10 3/4"	G	44'-6 1/8"
H	44'-6 1/8"	H	45'-3 5/8"
J	40'-0 5/8"	J	41'-5 1/2"
K	33'-2 3/8"	K	34'-11 1/4"
L	23'-9 3/8"	L	25'-5 1/2"
M	18'-5 1/8"	M	20'-5 1/2"
N	17'-0"	N	19'-1 1/4"
SL	23'-10"	SL	25'-6 1/8"
SR	33'-11 1/4"	SR	33'-11 5/8"
DL	9'-10 1/8"	DL	11'-2 1/8"
DR	18'-3 3/4"	DR	17'-9 1/8"

NOTICE

SWIMMING POOLS AND ACCESSORIES (INCLUDING DIVING BOARDS) ARE DANGEROUS WHEN IMPROPERLY USED OR INSTALLED. IT IS THE RESPONSIBILITY OF MUNICIPAL OFFICIALS, BUILDERS AND POOL OWNERS TO ADHERE TO ALL SAFETY RECOMMENDATIONS AND STANDARDS ISSUED BY THE POOL & HOT TUB COUNCIL, LOCAL AUTHORITIES AND EQUIPMENT MANUFACTURERS. PLEASE REFER TO DIVING BOARD MANUFACTURERS FOR CORRECT POSITIONING AND INSTALLATION OF DIVING EQUIPMENT.

