

MISCELLANEOUS INFORMATION

PERIMETER:	90'10"
SURFACE AREA:	429 SQ FT
VOLUME:	9490 IMP GALS 43180 LITER

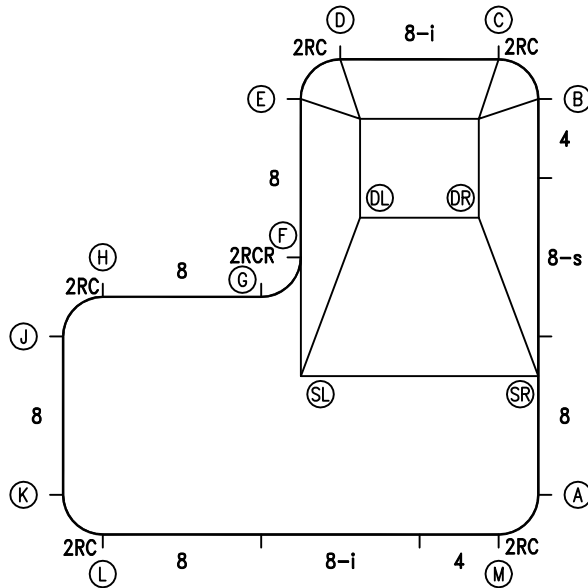
CONCRETE DECK INFO

WIDTH	AREA	NET INCREASES FOR:			
		STEPS	DIVING	SLIDE	ROLLER
2'	194	13	27	24	10
2'6"	246	17	31	20	10
3'	300	20	36	16	10

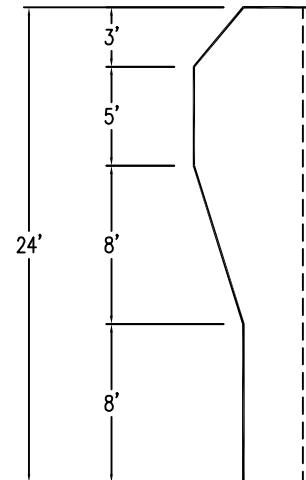
All Figures Represent "Sq Ft"

PARTS LIST

CODE	QTY	DESCRIPTION
2RC	5	3'2" Plain x 2' Rad Cnr
8	5	8' Plain
8-s	1	8' Skimmer
4	2	4' Plain
8-i	2	8' Return
2RCR	1	3'2" Plain x 2' Rev Rad Cnr
AF	16	A-Frame
S	32	Stakes
NB	96	Nuts & Bolts



6" WATER LINE



INSTALLATION DATA

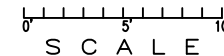
From Point "A" to:-		From Point "B" to:-	
B	20'-0"	B	2'-9 3/4"
C	22'-1"	C	2'-9 3/4"
D	24'-1 3/4"	D	10'-2 1/4"
E	23'-3 3/4"	E	12'-0"
F	16'-11 1/2"	F	14'-5"
G	17'-2 1/2"	G	17'-2 1/2"
H	24'-1 3/4"	H	24'-1 3/4"
J	25'-3 1/2"	J	26'-9 3/4"
K	24'-0"	K	31'-2 3/4"
L	22'-1"	L	31'-1 1/4"
M	2'-9 3/4"	M	22'-1"
SL	13'-4 3/4"	SL	18'-5 1/4"
SR	6'-0"	SR	14'-0"
DL	16'-7 3/4"	DL	10'-9 3/4"
DR	14'-3 3/4"	DR	6'-8 1/2"

NOTICE

SWIMMING POOLS AND ACCESSORIES (INCLUDING DIVING BOARDS) ARE DANGEROUS WHEN IMPROPERLY USED OR INSTALLED. IT IS THE RESPONSIBILITY OF MUNICIPAL OFFICIALS, BUILDERS AND POOL OWNERS TO ADHERE TO ALL SAFETY RECOMMENDATIONS AND STANDARDS ISSUED BY THE POOL & HOT TUB COUNCIL, LOCAL AUTHORITIES AND EQUIPMENT MANUFACTURERS. PLEASE REFER TO DIVING BOARD MANUFACTURERS FOR CORRECT POSITIONING AND INSTALLATION OF DIVING EQUIPMENT.

24'

*ALL DIMENSIONS ARE FINISHED



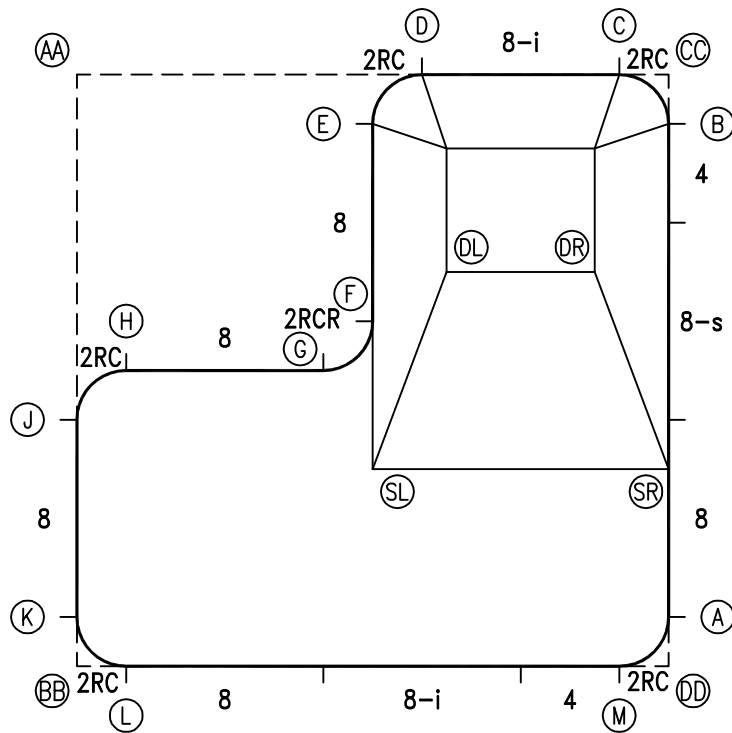
HIGHBURY POOLS LTD

FULL L - LEFT 12 x 24 x 24

DRAWING REFERENCE #
10-12-24-1

DRAWN BY: JK
REV. 4 JUL 13
SHEET 1 OF 2

PERIMETER: 90'10"

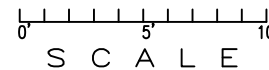


EXTERNAL INSTALLATION DATA

AA TO:	BB TO:	CC TO:	DD TO:
AA ---	AA 24'-0"	AA 24'-0"	AA 33'-11 1/4"
BB ---	BB ---	BB 33'-11 1/4"	BB 24'-0"
CC ---	CC ---	CC ---	CC 24'-0"
A 32'-6 3/4"	A 24'-0 3/4"	A 22'-0"	A 2'-0"
B 24'-0 3/4"	B 32'-6 3/4"	B 2'-0"	B 22'-0"
C 22'-0"	C 32'-6 3/4"	C 2'-0"	C 24'-0 3/4"
D 14'-0"	D 27'-9 1/4"	D 10'-0"	D 26'-0"
E 12'-1 3/4"	E 25'-0 3/4"	E 12'-1 3/4"	E 25'-0 3/4"
F 15'-7 1/2"	F 18'-5 1/4"	F 15'-7 1/2"	F 18'-5 1/4"
G 15'-7 1/2"	G 15'-7 1/2"	G 18'-5 1/4"	G 18'-5 1/4"
H 12'-1 3/4"	H 12'-1 3/4"	H 25'-0 3/4"	H 25'-0 3/4"
J 14'-0"	J 10'-0"	J 27'-9 1/4"	J 26'-0"
K 22'-0"	K 2'-0"	K 32'-6 3/4"	K 24'-0 3/4"
L 24'-0 3/4"	L 2'-0"	L 32'-6 3/4"	L 22'-0"
M 32'-6 3/4"	M 22'-0"	M 24'-0 3/4"	M 2'-0"
SL 20'-0"	SL 14'-5"	SL 20'-0"	SL 14'-5"
SR 28'-10"	SR 25'-3 1/2"	SR 16'-0"	SR 8'-0"
DL 17'-0"	DL 21'-11"	DL 12'-0 1/2"	DL 18'-4 1/4"
DR 22'-5 1/2"	DR 26'-4 3/4"	DR 8'-6 1/2"	DR 16'-3 1/4"

NOTICE

SWIMMING POOLS AND ACCESSORIES (INCLUDING DIVING BOARDS) ARE DANGEROUS WHEN IMPROPERLY USED OR INSTALLED. IT IS THE RESPONSIBILITY OF MUNICIPAL OFFICIALS, BUILDERS AND POOL OWNERS TO ADHERE TO ALL SAFETY RECOMMENDATIONS AND STANDARDS ISSUED BY THE POOL & HOT TUB COUNCIL, LOCAL AUTHORITIES AND EQUIPMENT MANUFACTURERS. PLEASE REFER TO DIVING BOARD MANUFACTURERS FOR CORRECT POSITIONING AND INSTALLATION OF DIVING EQUIPMENT.



HIGHBURY POOLS LTD

FULL L - LEFT 12 x 24 x 24

DRAWING REFERENCE #
10-12-24-1

DRAWN BY: JK
REV. 4 JUL 13
SHEET 2 OF 2