

MISCELLANEOUS INFORMATION

PERIMETER:	98'10"
SURFACE AREA:	529 SQ FT
VOLUME:	11605 IMP GALS 52803 LITER

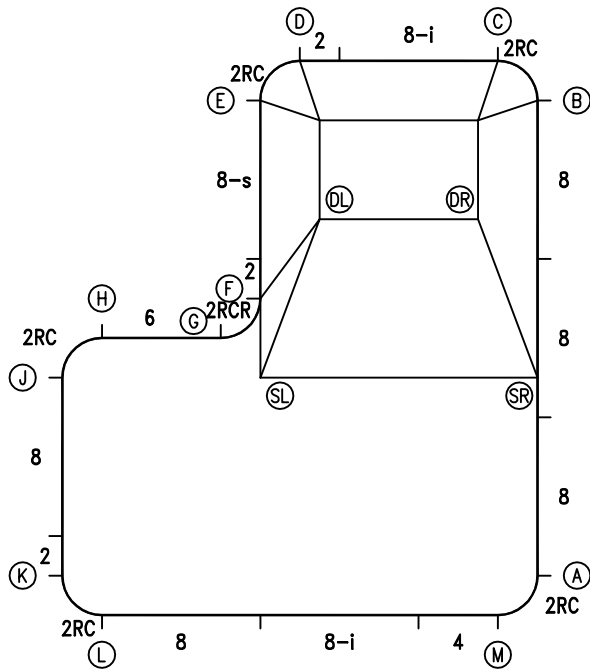
CONCRETE DECK INFO

WIDTH	AREA	NET INCREASES FOR:			
		STEPS	DIVING	SLIDE	ROLLER
2'	210	13	27	24	10
2'6"	266	17	31	20	10
3'	324	20	36	16	10

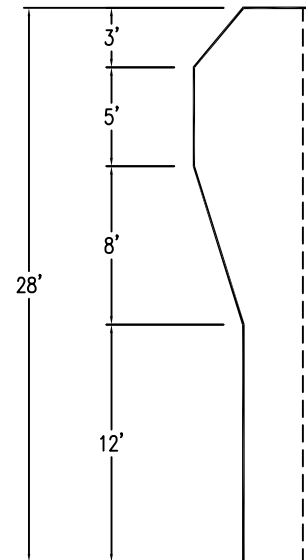
All Figures Represent "Sq Ft"

PARTS LIST

CODE	QTY	DESCRIPTION
2RC	5	3'2" Plain x 2' Rad Cnr
8	5	8' Plain
8-i	2	8' Return
2	3	2' Plain
8-s	1	8' Skimmer
2RCR	1	3'2" Plain x 2' Rev Rad Cnr
6	1	6' Plain
4	1	4' Plain
AF	19	A-Frame
S	38	Stakes
NB	114	Nuts & Bolts



6" WATER LINE



INSTALLATION DATA

From Point "A" to:-		From Point "B" to:-	
B	24'-0"	B	2'-9 3/4"
C	26'-0 3/4"	C	2'-1 3/4"
D	28'-7 1/2"	D	12'-1 3/4"
E	27'-9 1/4"	E	14'-0"
F	19'-9 1/2"	F	17'-2 1/2"
G	20'-0"	G	20'-0"
H	25'-0 3/4"	H	25'-0 3/4"
J	26'-0"	J	27'-9 1/4"
K	24'-0"	K	33'-11 1/4"
L	22'-1"	L	34'-0 3/4"
M	2'-9 3/4"	M	26'-0 3/4"
SL	17'-2 1/2"	SL	19'-9 1/2"
SR	10'-0"	SR	14'-0"
DL	21'-1"	DL	12'-6 1/4"
DR	18'-2 3/4"	DR	6'-8 1/2"

NOTICE

SWIMMING POOLS AND ACCESSORIES (INCLUDING DIVING BOARDS) ARE DANGEROUS WHEN IMPROPERLY USED OR INSTALLED. IT IS THE RESPONSIBILITY OF MUNICIPAL OFFICIALS, BUILDERS AND POOL OWNERS TO ADHERE TO ALL SAFETY RECOMMENDATIONS AND STANDARDS ISSUED BY THE POOL & HOT TUB COUNCIL, LOCAL AUTHORITIES AND EQUIPMENT MANUFACTURERS. PLEASE REFER TO DIVING BOARD MANUFACTURERS FOR CORRECT POSITIONING AND INSTALLATION OF DIVING EQUIPMENT.

*ALL DIMENSIONS ARE FINISHED

