

MISCELLANEOUS INFORMATION

PERIMETER:-	98'10-1/4"
SURFACE AREA:	528.6 SQ FT
VOLUME:	11,083 IMP GALS 50,427 L

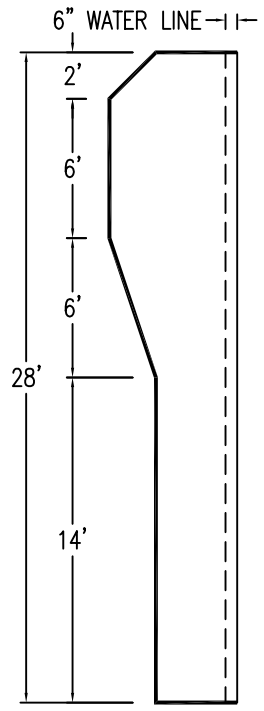
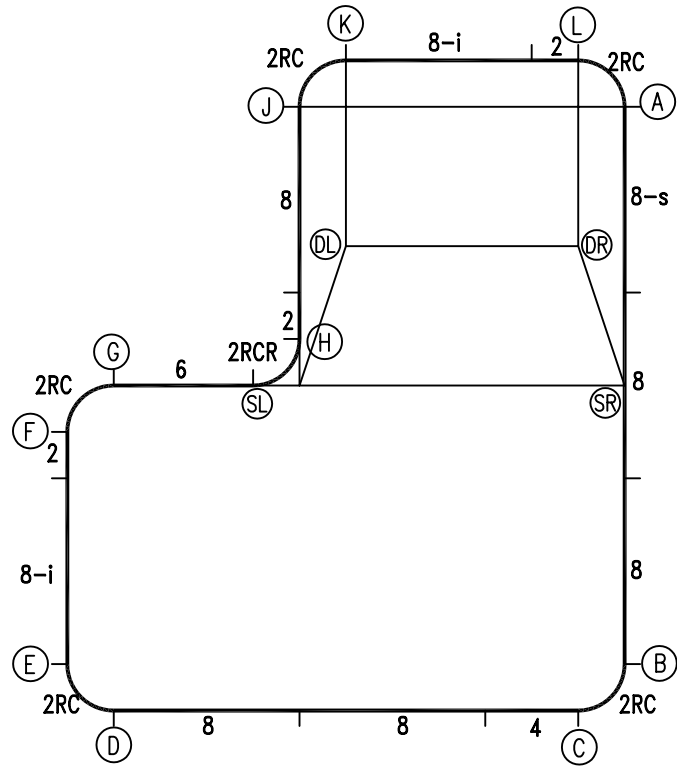
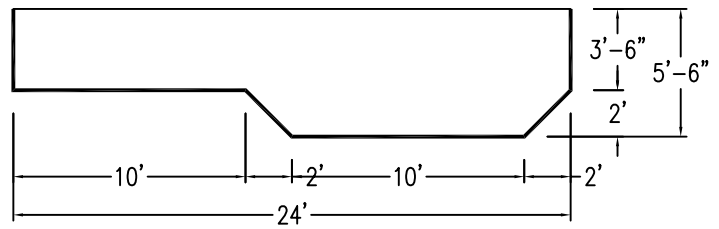
PARTS LIST

CODE	QTY	DESCRIPTION
8-s	1	8' Skimmer
8-i	2	8' Return
8	5	8' Plain
6	1	6' Plain
4	1	4' Plain
2	3	2' Plain
2RC	5	3/2" Plain x 2' Radius Corner
2RCR	1	3/2" Plain x 2' Rev Rad Cnr
AF	19	A-Frame
S	38	Stake
NB	114	Nuts & Bolts

CONCRETE DECK INFO

WIDTH	AREA	NET INCREASES FOR:			
		STEPS	DIVING	SLIDE	ROLLER
2'	211	13	27	24	10
2'6"	267	17	31	20	10
3'	325	20	36	16	10

All Figures Represent "Sq Ft"



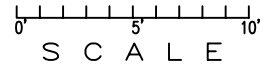
INSTALLATION DATA

From Point "A" to:-		From Point "B" to:-	
B	24'-0"	B	
C	26'-0 7/8"	C	2'-9 7/8"
D	34'-0 3/4"	D	22'-1 1/8"
E	33'-11 1/4"	E	24'-0"
F	27'-9 3/8"	F	26'-0"
G	25'-0 3/4"	G	25'-0 3/4"
H	17'-2 1/2"	H	19'-9 5/8"
J	14'-0"	J	27'-9 3/8"
K	12'-1 7/8"	K	28'-7 5/8"
L	2'-9 7/8"	L	26'-0 7/8"
SL	20'-0"	SL	20'-0"
SR	12'-0"	SR	12'-0"
DL	13'-4 7/8"	DL	21'-7 5/8"
DR	6'-3 7/8"	DR	18'-1 3/8"

NOTICE

SWIMMING POOLS AND ACCESSORIES (INCLUDING DIVING BOARDS) ARE DANGEROUS WHEN IMPROPERLY USED OR INSTALLED. IT IS THE RESPONSIBILITY OF MUNICIPAL OFFICIALS, BUILDERS AND POOL OWNERS TO ADHERE TO ALL SAFETY RECOMMENDATIONS AND STANDARDS ISSUED BY THE POOL & HOT TUB COUNCIL, LOCAL AUTHORITIES AND EQUIPMENT MANUFACTURERS. PLEASE REFER TO DIVING BOARD MANUFACTURERS FOR CORRECT POSITIONING AND INSTALLATION OF DIVING EQUIPMENT.

*ALL DIMENSIONS ARE FINISHED



HIGHBURY POOLS LTD

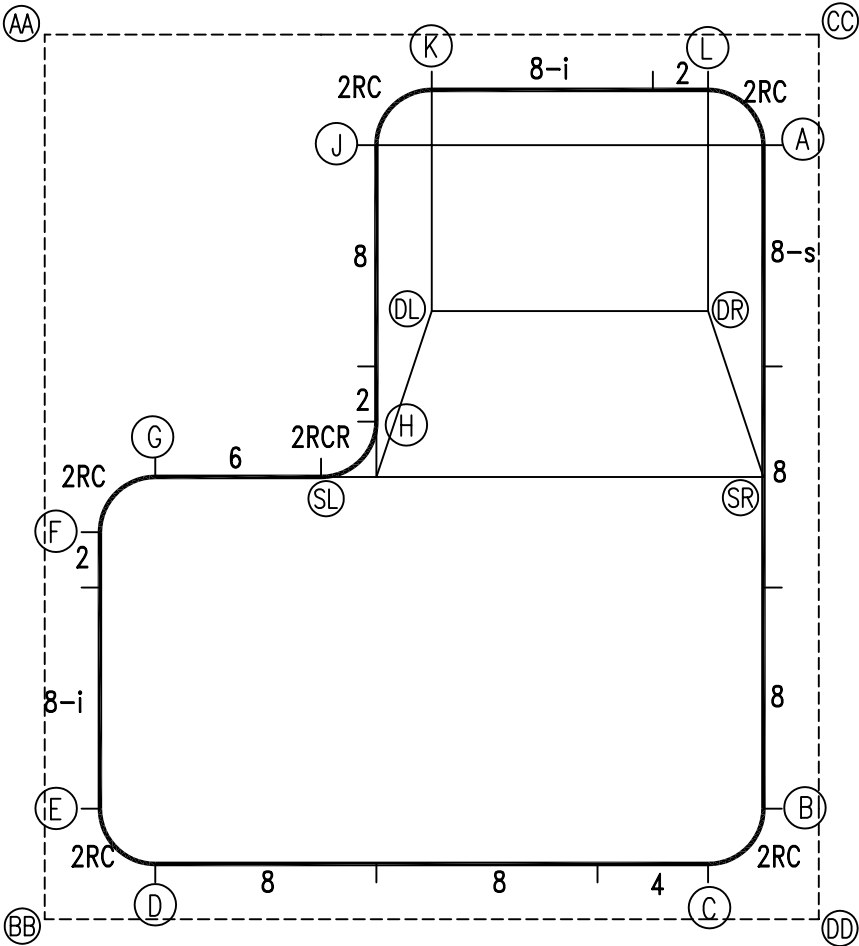
FULL-L STANDARD HOPPER TYPE LEFT 14 x 28

DRAWING REFERENCE #
10-14-28-3

DRAWN BY: JB
REV. 28 NOV 2006
SHEET 1 OF 2

EXTERNAL INSTALLATION DATA

AA TO:	BB TO:	CC TO:	DD TO:
AA ---	AA 32'-0"	AA 28'-0"	AA 42'-6 1/4"
BB ---	BB ---	BB 42'-6 1/4"	BB 28'-0"
CC ---	CC ---	CC ---	CC 32'-0"
A 26'-3 5/8"	A 38'-2 1/2"	A 4'-5 5/8"	A 28'-0 7/8"
B 38'-2 1/2"	B 26'-3 5/8"	B 28'-0 7/8"	B 4'-5 5/8"
C 38'-5"	C 24'-0 7/8"	C 30'-3 1/8"	C 4'-5 5/8"
D 30'-3 1/8"	D 4'-5 5/8"	D 38'-5"	D 24'-0 7/8"
E 28'-0 7/8"	E 4'-5 5/8"	E 38'-2 1/2"	E 26'-3 5/8"
F 18'-1 3/8"	F 14'-1 3/4"	F 31'-7 1/2"	F 29'-6 3/8"
G 16'-5 7/8"	G 16'-5 7/8"	G 28'-10 1/8"	G 28'-10 1/8"
H 18'-5 1/4"	H 21'-7 5/8"	H 21'-3 1/8"	H 24'-0 7/8"
J 12'-7 3/4"	J 30'-5 1/2"	J 16'-5 7/8"	J 32'-2 7/8"
K 14'-1 3/4"	K 33'-1 1/4"	K 14'-1 3/4"	K 33'-1 1/4"
L 24'-0 7/8"	L 38'-5"	L 4'-5 5/8"	L 30'-3 1/8"
SL 18'-10 3/8"	SL 18'-10 3/8"	SL 24'-0 7/8"	SL 24'-0 7/8"
SR 30'-6 3/8"	SR 30'-6 3/8"	SR 16'-1 1/2"	SR 16'-1 1/2"
DL 17'-2 1/2"	DL 26'-0 7/8"	DL 17'-2 1/2"	DL 26'-0 7/8"
DR 26'-0"	DR 32'-6 3/4"	DR 10'-9 1/4"	DR 22'-4 3/8"



NOTICE

SWIMMING POOLS AND ACCESSORIES (INCLUDING DIVING BOARDS) ARE DANGEROUS WHEN IMPROPERLY USED OR INSTALLED. IT IS THE RESPONSIBILITY OF MUNICIPAL OFFICIALS, BUILDERS AND POOL OWNERS TO ADHERE TO ALL SAFETY RECOMMENDATIONS AND STANDARDS ISSUED BY THE POOL & HOT TUB COUNCIL, LOCAL AUTHORITIES AND EQUIPMENT MANUFACTURERS. PLEASE REFER TO DIVING BOARD MANUFACTURERS FOR CORRECT POSITIONING AND INSTALLATION OF DIVING EQUIPMENT.

HIGHBURY POOLS LTD

FULL-L STANDARD HOPPER TYPE LEFT 14x28

DRAWING REFERENCE #
10-14-28-3

DRAWN BY: JB
REV. 28 NOV 2006
SHEET 2 OF 2