

MISCELLANEOUS INFORMATION

PERIMETER:	122'10"
SURFACE AREA:	785 SQ FT
VOLUME:	20686 IMP GALS 94121 LITER

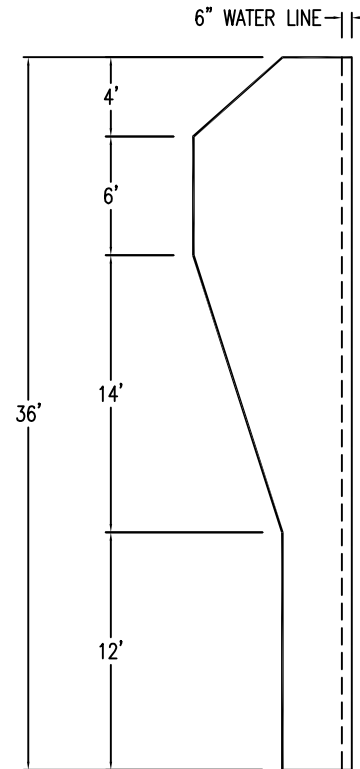
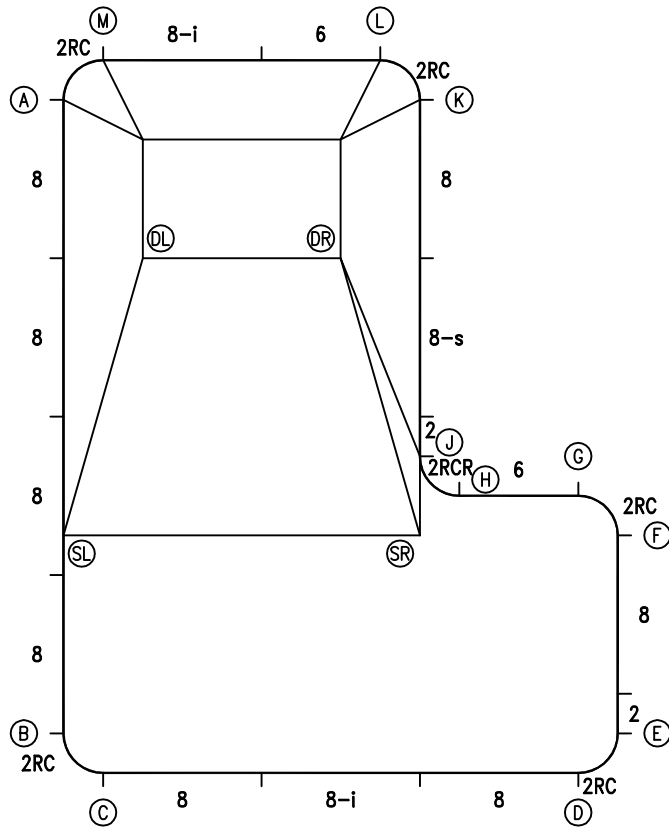
CONCRETE DECK INFO

WIDTH	AREA	NET INCREASES FOR:			
		STEPS	DIVING	SLIDE	ROLLER
2'	258	13	27	24	10
2'6"	326	17	31	20	10
3'	396	20	36	16	10

All Figures Represent "Sq Ft"

PARTS LIST

CODE	QTY	DESCRIPTION
2RC	5	3'2" Plain x 2' Rad Cnr
8	8	8' Plain
8-i	2	8' Return
6	2	6' Plain
8-s	1	8' Skimmer
2	2	2' Plain
2RCR	1	3'2" Plain x 2' Rev Rad Cnr
AF	21	A-Frame
S	42	Stakes
NB	126	Nuts & Bolts



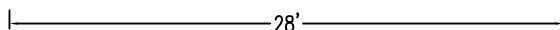
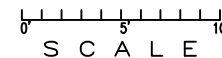
INSTALLATION DATA

From Point "A" to:-		From Point "B" to:-	
B	32'-0"	B	2'-9 3/4"
C	34'-0 3/4"	C	26'-0 3/4"
D	42'-9 1/2"	D	28'-0"
E	42'-6 1/4"	E	29'-8 3/4"
F	35'-7 1/4"	F	28'-7 1/2"
G	32'-9 1/2"	G	23'-3 3/4"
H	28'-3 1/4"	H	22'-9 1/2"
J	25'-5 1/2"	J	36'-8 1/2"
K	18'-0"	K	37'-6 3/4"
L	16'-1 1/2"	L	34'-0 3/4"
M	2'-9 3/4"	M	10'-0"
SL	22'-0"	SL	20'-7"
SR	28'-5"	SR	24'-3 3/4"
DL	8'-11 1/4"	DL	27'-9 1/4"
DR	16'-1 1/2"		

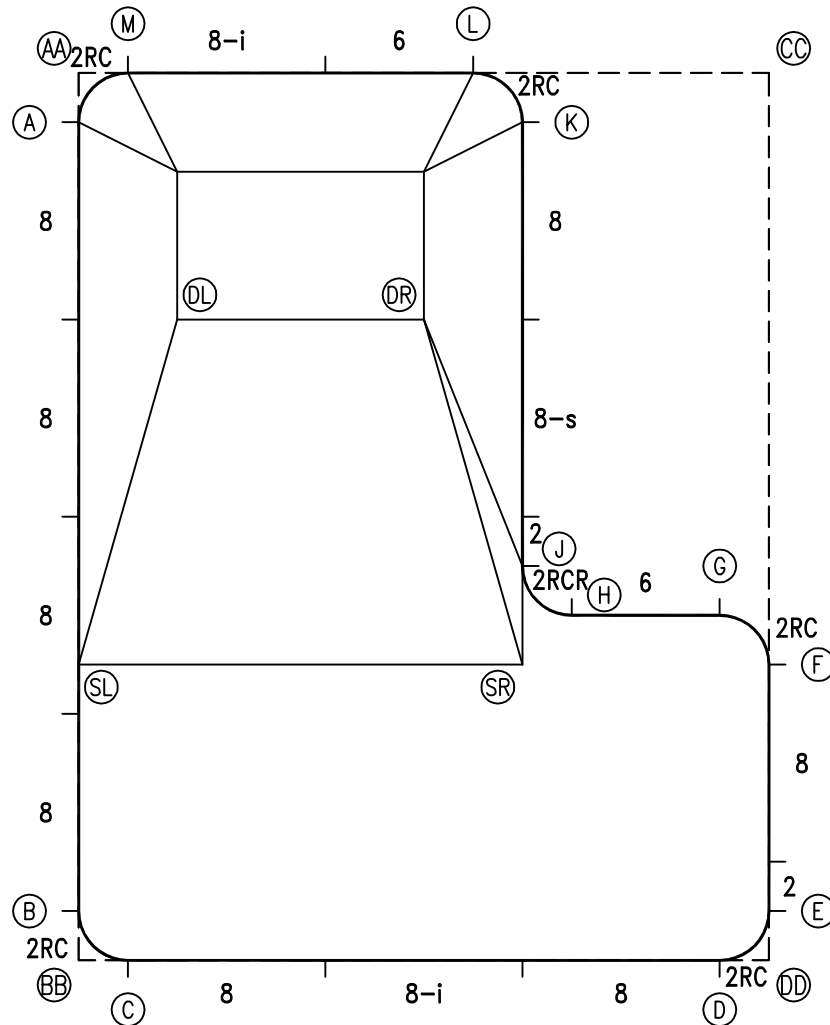
NOTICE

SWIMMING POOLS AND ACCESSORIES (INCLUDING DIVING BOARDS) ARE DANGEROUS WHEN IMPROPERLY USED OR INSTALLED. IT IS THE RESPONSIBILITY OF MUNICIPAL OFFICIALS, BUILDERS AND POOL OWNERS TO ADHERE TO ALL SAFETY RECOMMENDATIONS AND STANDARDS ISSUED BY THE POOL & HOT TUB COUNCIL, LOCAL AUTHORITIES AND EQUIPMENT MANUFACTURERS. PLEASE REFER TO DIVING BOARD MANUFACTURERS FOR CORRECT POSITIONING AND INSTALLATION OF DIVING EQUIPMENT.

*ALL DIMENSIONS ARE FINISHED



PERIMETER: 122'10"

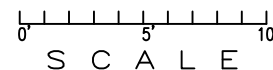


EXTERNAL INSTALLATION DATA

AA TO:	BB TO:	CC TO:	DD TO:
AA ---	AA 36'-0"	AA 28'-0"	AA 45'-7 1/4"
BB ---	BB ---	BB 45'-7 1/4"	BB 28'-0"
CC ---	CC ---	CC ---	CC 36'-0"
A 2'-0"	A 34'-0"	A 28'-0 3/4"	A 44'-0 1/2"
B 34'-0"	B 2'-0"	B 44'-0 1/2"	B 28'-0 3/4"
C 36'-0 1/2"	C 2'-0"	C 44'-4 3/4"	C 26'-0"
D 44'-4 3/4"	D 26'-0"	D 36'-0 1/2"	D 2'-0"
E 44'-0 1/2"	E 28'-0 3/4"	E 34'-0"	E 2'-0"
F 36'-10 1/2"	F 30'-5 1/2"	F 24'-0"	F 12'-0"
G 34'-0 3/4"	G 29'-6 1/4"	G 22'-1"	G 14'-1 3/4"
H 29'-8 3/4"	H 24'-4 3/4"	H 23'-4 3/4"	H 16'-1 1/2"
J 26'-10 3/4"	J 24'-0 3/4"	J 22'-4 1/4"	J 18'-10 1/4"
K 18'-1 1/4"	K 38'-5 1/2"	K 10'-2 1/4"	K 35'-5 1/4"
L 16'-0"	L 39'-4 3/4"	L 12'-0"	L 37'-11 1/4"
M 2'-0"	M 36'-0 1/2"	M 26'-0"	M 44'-4 3/4"
SL 24'-0"	SL 12'-0"	SL 36'-10 1/2"	SL 30'-5 1/2"
SR 30'-0"	SR 21'-7 1/2"	SR 26'-0"	SR 15'-7 1/2"
DL 10'-9 1/4"	DL 26'-3 1/2"	DL 26'-0"	DL 35'-4 1/2"
DR 17'-2 1/2"	DR 29'-6 1/4"	DR 17'-2 1/2"	DR 29'-6 1/4"

NOTICE

SWIMMING POOLS AND ACCESSORIES (INCLUDING DIVING BOARDS) ARE DANGEROUS WHEN IMPROPERLY USED OR INSTALLED. IT IS THE RESPONSIBILITY OF MUNICIPAL OFFICIALS, BUILDERS AND POOL OWNERS TO ADHERE TO ALL SAFETY RECOMMENDATIONS AND STANDARDS ISSUED BY THE POOL & HOT TUB COUNCIL, LOCAL AUTHORITIES AND EQUIPMENT MANUFACTURERS. PLEASE REFER TO DIVING BOARD MANUFACTURERS FOR CORRECT POSITIONING AND INSTALLATION OF DIVING EQUIPMENT.



HIGHBURY POOLS LTD

FULL L - RIGHT 18 x 28 x 36

DRAWING REFERENCE #
10-18-36-2

DRAWN BY: JK
REV. 21 JUN 13
SHEET 2 OF 2