

**MISCELLANEOUS INFORMATION**

PERIMETER:	134'10"
SURFACE AREA:	937 SQ FT
VOLUME:	24194 IMP GALS 110083 LITER

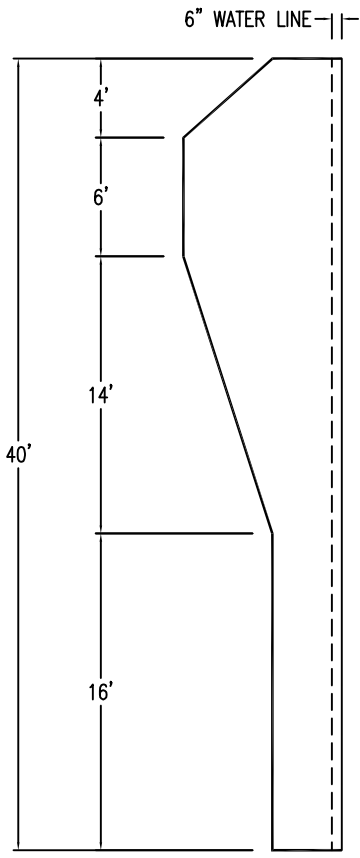
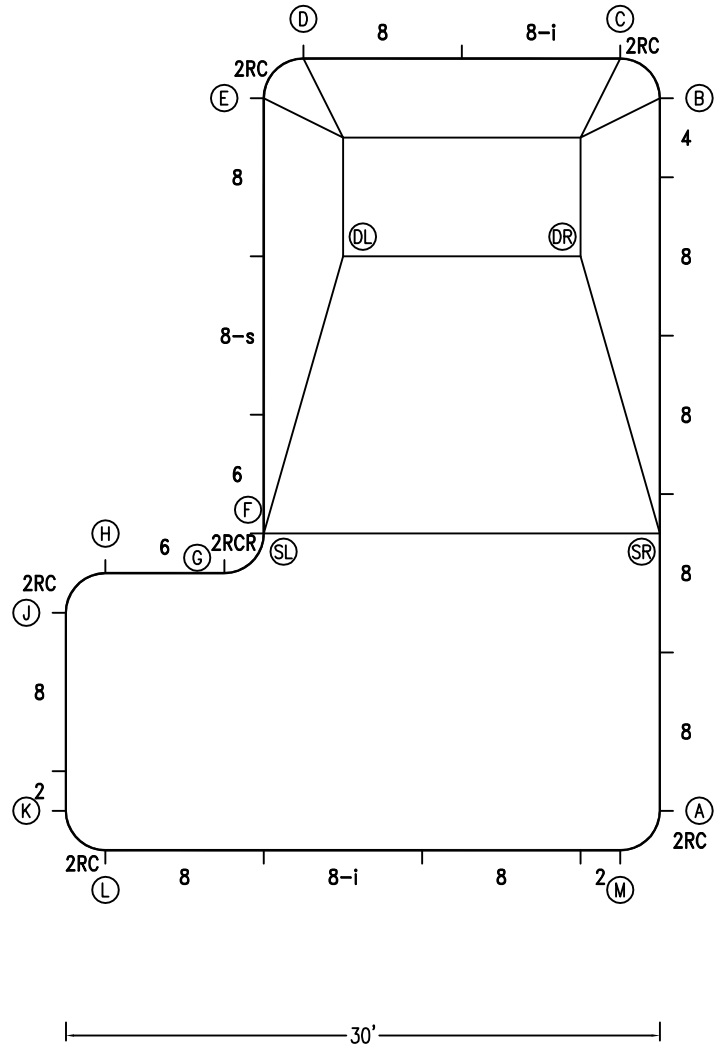
**CONCRETE DECK INFO**

WIDTH	AREA	NET INCREASES FOR:			
		STEPS	DIVING	SLIDE	ROLLER
2'	282	13	27	24	10
2'6"	356	17	31	20	10
3'	432	20	36	16	10

All Figures Represent "Sq Ft"

**PARTS LIST**

CODE	QTY	DESCRIPTION
2RC	5	3'2" Plain x 2' Rad Cnr
8	9	8' Plain
4	1	4' Plain
8-i	2	8' Return
8-s	1	8' Skimmer
6	2	6' Plain
2RCR	1	3'2" Plain x 2' Rev Rad Cnr
2	2	2' Plain
AF	23	A-Frame
S	46	Stakes
NB	138	Nuts & Bolts



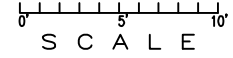
**INSTALLATION DATA**

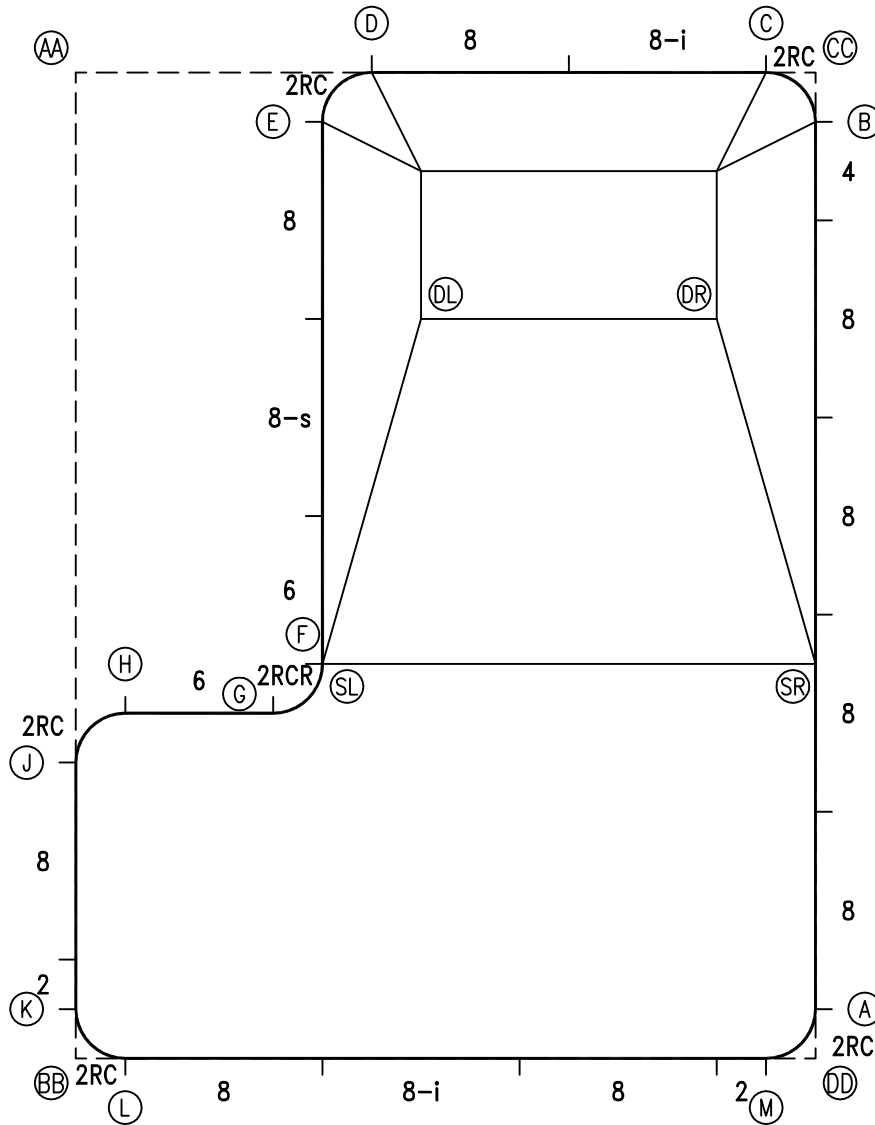
From Point "A" to:-		From Point "B" to:-	
B	36'-0"	B	2'-9 3/4"
C	38'-0 1/2"	C	2'-9 3/4"
D	42'-0 1/2"	D	18'-1 1/4"
E	41'-2 1/4"	E	20'-0"
F	24'-4 3/4"	F	29'-8 3/4"
G	25'-0 3/4"	G	32'-6 3/4"
H	30'-5 1/2"	H	36'-10 1/2"
J	31'-7 1/2"	J	39'-8 1/4"
K	30'-0"	K	46'-10 1/4"
L	28'-0 3/4"	L	47'-2 1/4"
M	2'-9 3/4"	M	38'-0 1/2"
SL	24'-4 3/4"	SL	29'-8 3/4"
SR	14'-0"	SR	22'-0"
DL	32'-2 3/4"	DL	17'-10 1/2"
DR	28'-3 1/4"	DR	8'-11 1/4"

**NOTICE**

SWIMMING POOLS AND ACCESSORIES (INCLUDING DIVING BOARDS) ARE DANGEROUS WHEN IMPROPERLY USED OR INSTALLED. IT IS THE RESPONSIBILITY OF MUNICIPAL OFFICIALS, BUILDERS AND POOL OWNERS TO ADHERE TO ALL SAFETY RECOMMENDATIONS AND STANDARDS ISSUED BY THE POOL & HOT TUB COUNCIL, LOCAL AUTHORITIES AND EQUIPMENT MANUFACTURERS. PLEASE REFER TO DIVING BOARD MANUFACTURERS FOR CORRECT POSITIONING AND INSTALLATION OF DIVING EQUIPMENT.

\*ALL DIMENSIONS ARE FINISHED





### EXTERNAL INSTALLATION DATA

AA TO:	BB TO:	CC TO:	DD TO:
AA ---	AA 40'-0"	AA 30'-0"	AA 50'-0"
BB ---	BB ---	BB 50'-0"	BB 30'-0"
CC ---	CC ---	CC ---	CC 40'-0"
A 48'-4 3/4"	A 30'-0 3/4"	A 38'-0"	A 2'-0"
B 30'-0 3/4"	B 48'-4 3/4"	B 2'-0"	B 38'-0"
C 28'-0"	C 48'-9 3/4"	C 2'-0"	C 40'-0 1/2"
D 12'-0"	D 41'-9"	D 18'-0"	D 43'-10 1/4"
E 10'-2 1/4"	E 39'-3 1/2"	E 20'-1 1/4"	E 42'-11 1/4"
F 26'-0"	F 18'-10 1/4"	F 31'-2 3/4"	F 25'-7 1/4"
G 27'-2 1/4"	G 16'-1 1/2"	G 34'-0 3/4"	G 26'-0 3/4"
H 26'-0 3/4"	H 14'-1 3/4"	H 38'-2 1/2"	H 31'-3 1/2"
J 28'-0"	J 12'-0"	J 41'-0 1/2"	J 32'-3 3/4"
K 38'-0"	K 2'-0"	K 48'-4 3/4"	K 30'-0 3/4"
L 40'-0 1/2"	L 2'-0"	L 48'-9 3/4"	L 28'-0"
M 48'-9 3/4"	M 28'-0"	M 40'-0 1/2"	M 2'-0"
SL 26'-0"	SL 18'-10 1/4"	SL 31'-2 3/4"	SL 25'-7 1/4"
SR 38'-5"	SR 34'-0"	SR 24'-0"	SR 16'-0"
DL 17'-2 1/2"	DL 33'-1 1/4"	DL 18'-10 1/4"	DL 34'-0"
DR 27'-10 1/4"	DR 39'-8 1/4"	DR 10'-9 1/4"	DR 30'-3"

### NOTICE

SWIMMING POOLS AND ACCESSORIES (INCLUDING DIVING BOARDS) ARE DANGEROUS WHEN IMPROPERLY USED OR INSTALLED. IT IS THE RESPONSIBILITY OF MUNICIPAL OFFICIALS, BUILDERS AND POOL OWNERS TO ADHERE TO ALL SAFETY RECOMMENDATIONS AND STANDARDS ISSUED BY THE POOL & HOT TUB COUNCIL, LOCAL AUTHORITIES AND EQUIPMENT MANUFACTURERS. PLEASE REFER TO DIVING BOARD MANUFACTURERS FOR CORRECT POSITIONING AND INSTALLATION OF DIVING EQUIPMENT.