

MISCELLANEOUS INFORMATION

PERIMETER:-	134'10-1/4
SURFACE AREA:	936.6 SQ FT
VOLUME:	24756 IMP GALS 112637 L

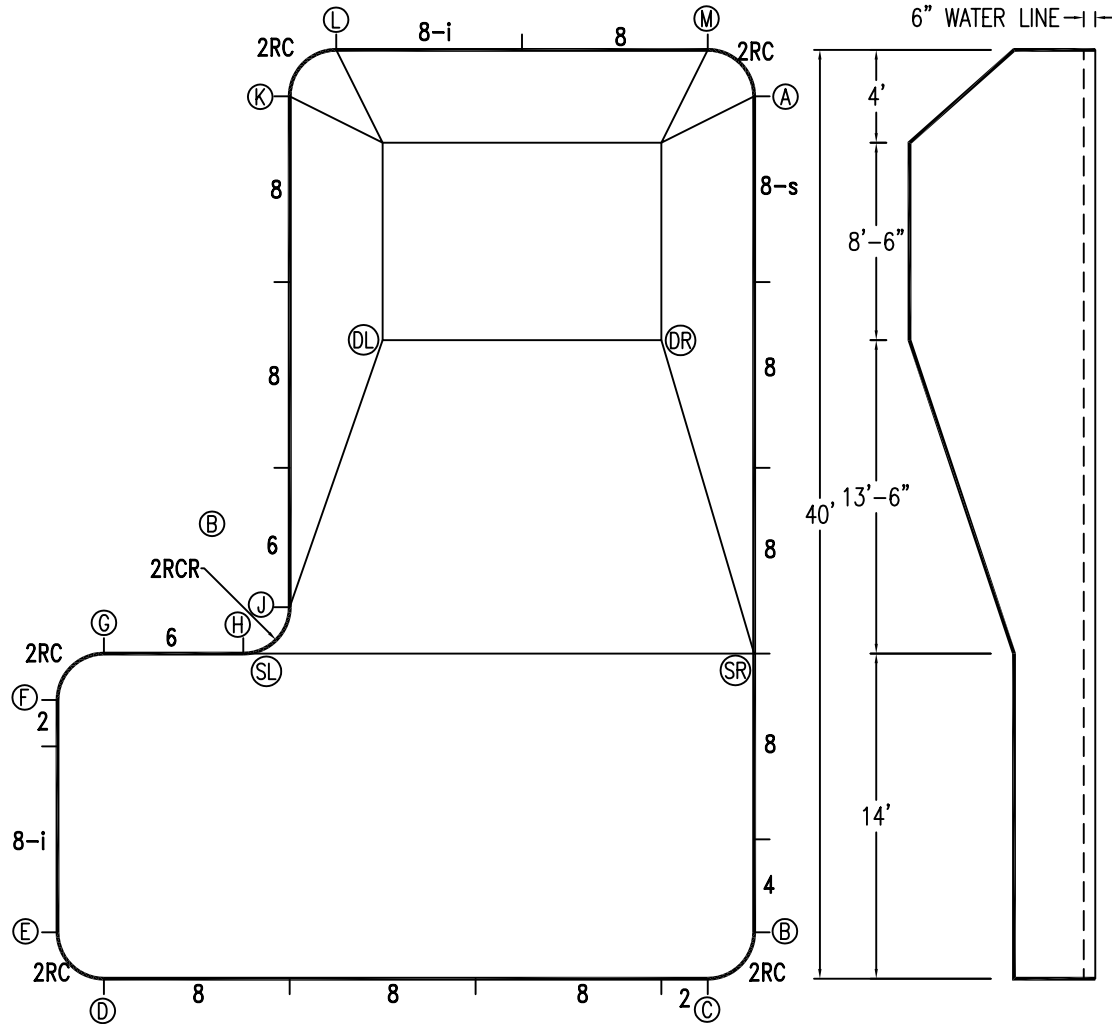
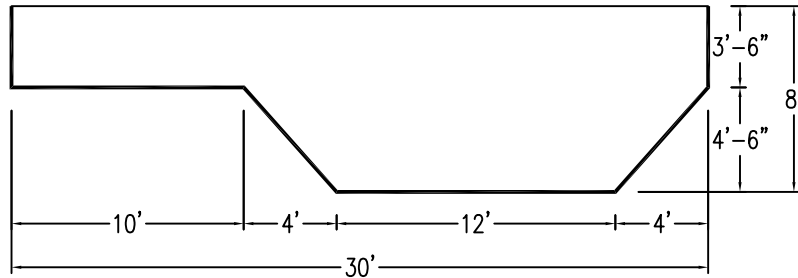
PARTS LIST

CODE	QTY	DESCRIPTION
8-s	1	8' Skimmer
8-i	2	8' Return
8	9	8' Plain
6	2	6' Plain
4	1	4' Plain
2	2	2' Plain
2RC	5	3'2" Plain x 2' Radius Corner
2RCR	1	3'2" Plain x 2' Rev Rad Cnr
AF	23	A-Frame
S	46	Stake
NB	138	Nuts & Bolts

CONCRETE DECK INFO

WIDTH	AREA	NET INCREASES FOR:			
		STEPS	DIVING	SLIDE	ROLLER
2'	283	13	27	24	10
2'6"	357	17	31	20	10
3'	433	20	36	16	10

All Figures Represent "Sq Ft"



\*ALL DIMENSIONS ARE FINISHED

INSTALLATION DATA

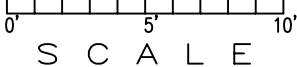
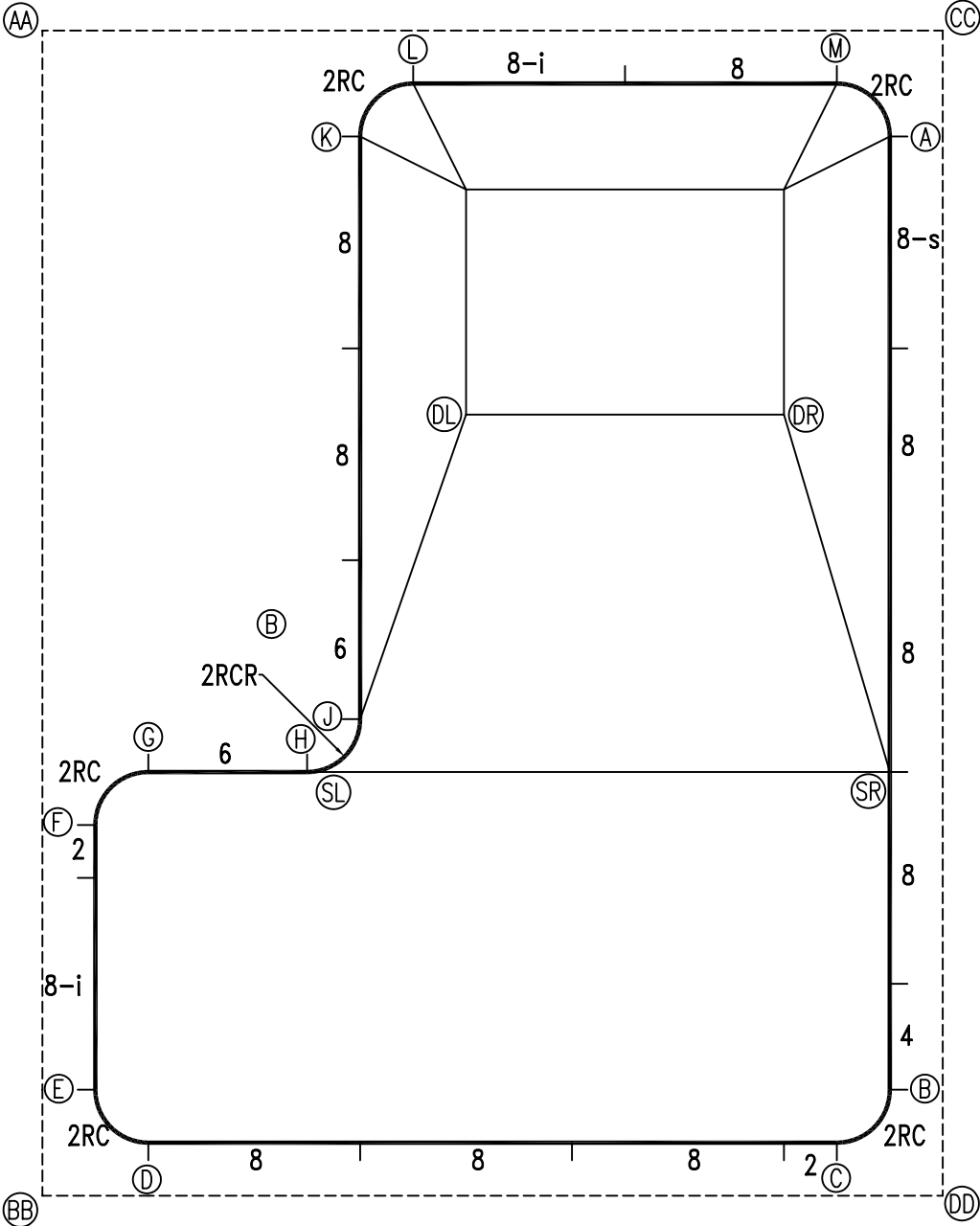
From Point "A" to:-		From Point "B" to:-	
B	36'-0"	B	2'-9 7/8"
C	38'-0 5/8"	C	28'-0 7/8"
D	47'-2 3/8"	D	30'-0"
E	46'-10 3/8"	E	31'-7 1/2"
F	39'-8 3/8"	F	30'-5 1/2"
G	36'-10 1/2"	G	25'-0 3/4"
H	32'-6 3/4"	H	24'-4 7/8"
J	29'-8 3/4"	J	41'-2 1/4"
K	20'-0"	K	42'-0 5/8"
L	18'-1 3/8"	L	38'-0 5/8"
M	2'-9 7/8"	M	25'-0 3/4"
SL	32'-6 3/4"	SL	12'-0"
SR	24'-0"	SR	30'-1 1/4"
DL	19'-1 5/8"	DL	25'-9 3/4"
DR	11'-2 7/8"	DR	

NOTICE

SWIMMING POOLS AND ACCESSORIES (INCLUDING DIVING BOARDS) ARE DANGEROUS WHEN IMPROPERLY USED OR INSTALLED. IT IS THE RESPONSIBILITY OF MUNICIPAL OFFICIALS, BUILDERS AND POOL OWNERS TO ADHERE TO ALL SAFETY RECOMMENDATIONS AND STANDARDS ISSUED BY THE POOL & HOT TUB COUNCIL, LOCAL AUTHORITIES AND EQUIPMENT MANUFACTURERS. PLEASE REFER TO DIVING BOARD MANUFACTURERS FOR CORRECT POSITIONING AND INSTALLATION OF DIVING EQUIPMENT.

EXTERNAL INSTALLATION DATA

AA TO:	BB TO:	CC TO:	DD TO:
AA	AA 44'-0"	AA 34'-0"	AA 55'-7 1/4"
BB	BB ---	BB 55'-7 1/4"	BB 34'-0"
CC	CC ---	CC ---	CC 44'-0"
A	A 32'-2 7/8"	A 51'-2 3/4"	A 4'-5 5/8"
B	B 51'-2 3/4"	B 32'-2 7/8"	B 40'-0 5/8"
C	C 51'-7 3/8"	C 30'-0 3/4"	C 42'-2 1/4"
D	D 42'-2 1/4"	D 4'-5 5/8"	D 51'-7 3/8"
E	E 40'-0 5/8"	E 4'-5 5/8"	E 51'-2 3/4"
F	F 30'-0 3/4"	F 14'-1 3/4"	F 43'-10 3/8"
G	G 28'-3 3/8"	G 16'-5 7/8"	G 41'-0 1/2"
H	H 29'-8 3/4"	H 18'-10 3/8"	H 36'-10 1/2"
J	J 28'-7 5/8"	J 21'-7 5/8"	J 34'-0 3/4"
K	K 12'-7 3/4"	K 41'-9 1/8"	K 22'-4 3/8"
L	L 14'-1 3/4"	L 44'-3 1/4"	L 20'-1 1/4"
M	M 30'-0 3/4"	M 51'-7 3/8"	M 4'-5 5/8"
SL	SL 29'-9 3/8"	SL 18'-11 3/8"	SL 36'-9 3/8"
SR	SR 42'-6 1/4"	SR 35'-9 3/8"	SR 28'-0 7/8"
DL	DL 21'-7 1/8"	DL 33'-6 3/4"	DL 23'-1 3/8"
DR	DR 31'-6 3/8"	DR 40'-8 1/8"	DR 15'-8 1/4"



NOTICE

SWIMMING POOLS AND ACCESSORIES (INCLUDING DIVING BOARDS) ARE DANGEROUS WHEN IMPROPERLY USED OR INSTALLED. IT IS THE RESPONSIBILITY OF MUNICIPAL OFFICIALS, BUILDERS AND POOL OWNERS TO ADHERE TO ALL SAFETY RECOMMENDATIONS AND STANDARDS ISSUED BY THE POOL & HOT TUB COUNCIL, LOCAL AUTHORITIES AND EQUIPMENT MANUFACTURERS. PLEASE REFER TO DIVING BOARD MANUFACTURERS FOR CORRECT POSITIONING AND INSTALLATION OF DIVING EQUIPMENT.

HIGHBURY POOLS LTD

FULL- L- HR - LEFT 20x40

DRAWING REFERENCE #  
10-20-40-3

DRAWN BY: JB  
REV. 28 NOV 2006  
SHEET 2 OF 2