

MISCELLANEOUS INFORMATION

PERIMETER:	93'4"
SURFACE AREA:	472 SQ FT
VOLUME:	14182 IMP GALS 64528 LITER

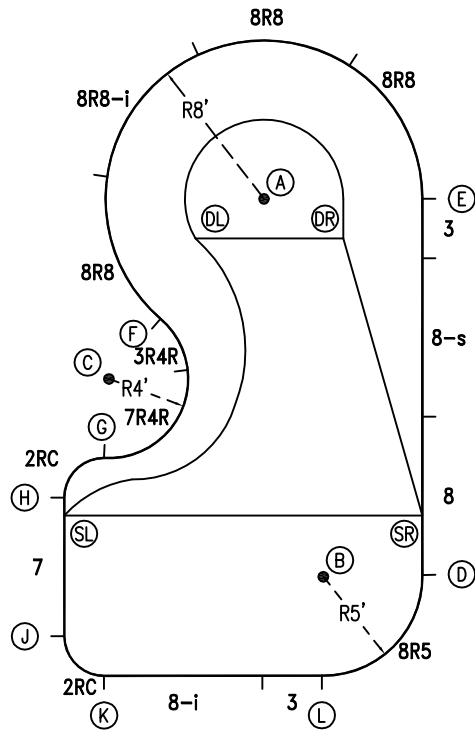
CONCRETE DECK INFO

WIDTH	AREA	NET INCREASES FOR:			
		STEPS	DIVING	SLIDE	ROLLER
2'	199	13	27	24	10
2'6"	253	17	31	20	10
3'	308	20	36	16	10

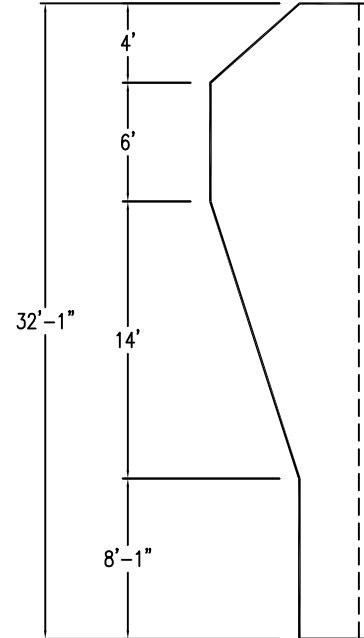
All Figures Represent "Sq Ft"

PARTS LIST

CODE	QTY	DESCRIPTION
8R5	1	8' Plain x 5' Radius
8	1	8' Plain
8-s	1	8' Skimmer
3	2	3' Plain
8R8	3	8' Plain x 8' Radius
8R8-i	1	8' Return x 8' Radius
3R4R	1	3' Plain x 4' Reverse Radius
7R4R	1	7' Plain x 4' Reverse Radius
2RC	2	3'2" Plain x 2' Rad Cnr
7	1	7' Plain
8-i	1	8' Return
AF	15	A-Frame
S	30	Stakes
NB	90	Nuts & Bolts



6" WATER LINE



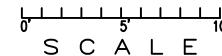
INSTALLATION DATA

From Point "A" to:-		From Point "B" to:-	
B	19'-3 3/4"	B	14'-8 3/4"
C	12'-0"	C	14'-8 3/4"
D	20'-7 1/4"	D	5'-0"
E	8'-0"	E	19'-8 3/4"
F	8'-0"	F	15'-4 3/4"
G	15'-4 1/2"	G	12'-7 1/4"
H	18'-1 3/4"	H	13'-8 1/4"
J	24'-3 1/2"	J	13'-5"
K	25'-4 3/4"	K	12'-1 3/4"
L	24'-3"	L	5'-0"
SL	18'-10 3/4"	SL	13'-5 1/4"
SR	17'-10 1/2"	SR	5'-10 1/2"
DL	4'-0"	DL	18'-3 1/4"
DR	4'-5 1/2"	DR	17'-1 1/4"

NOTICE

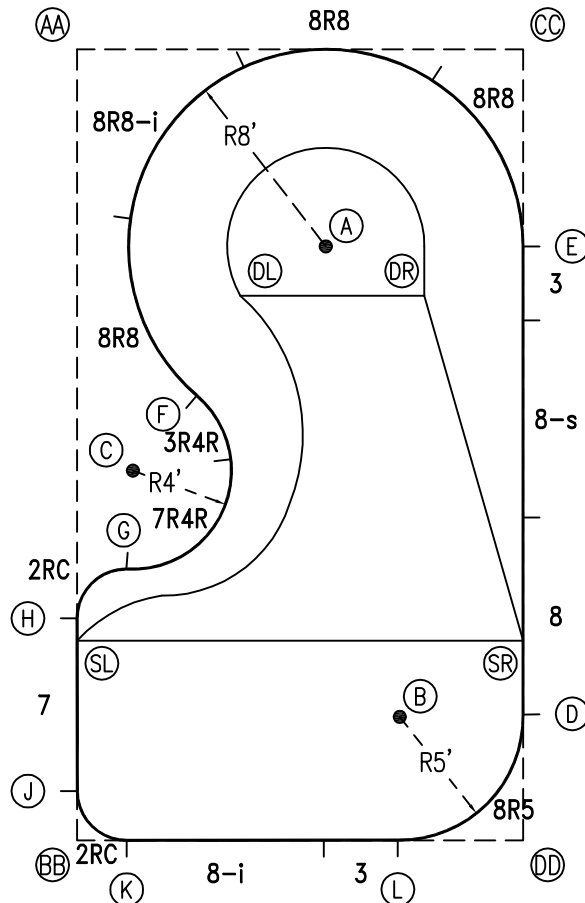
SWIMMING POOLS AND ACCESSORIES (INCLUDING DIVING BOARDS) ARE DANGEROUS WHEN IMPROPERLY USED OR INSTALLED. IT IS THE RESPONSIBILITY OF MUNICIPAL OFFICIALS, BUILDERS AND POOL OWNERS TO ADHERE TO ALL SAFETY RECOMMENDATIONS AND STANDARDS ISSUED BY THE POOL & HOT TUB COUNCIL, LOCAL AUTHORITIES AND EQUIPMENT MANUFACTURERS. PLEASE REFER TO DIVING BOARD MANUFACTURERS FOR CORRECT POSITIONING AND INSTALLATION OF DIVING EQUIPMENT.

*ALL DIMENSIONS ARE FINISHED



EXTERNAL INSTALLATION DATA

AA TO:	BB TO:	CC TO:	DD TO:
AA --	AA 32'-1"	AA 18'-1"	AA 36'-10"
BB --	BB --	BB 36'-10"	BB 18'-1"
CC --	CC --	CC --	CC 32'-1"
A 12'-10 1/2"	A 26'-1 1/2"	A 11'-3 3/4"	A 25'-4 1/2"
B 30'-0 3/4"	B 14'-0"	B 27'-6 1/2"	B 7'-0 3/4"
C 17'-2 3/4"	C 15'-2"	C 23'-3 1/2"	C 21'-9 1/2"
D 32'-5 3/4"	D 18'-9 1/2"	D 27'-0"	D 5'-1"
E 19'-9 1/4"	E 30'-1 1/2"	E 8'-0"	E 24'-1"
F 14'-10 1/2"	F 18'-8 1/4"	F 19'-3 1/2"	F 22'-4 1/2"
G 21'-2"	G 11'-2 1/4"	G 26'-6 1/4"	G 19'-5 3/4"
H 23'-1"	H 9'-0"	H 29'-3 3/4"	H 20'-2 1/2"
J 30'-1"	J 2'-0"	J 35'-1 1/4"	J 18'-2 1/4"
K 32'-1 3/4"	K 2'-0"	K 35'-10 3/4"	K 16'-0 3/4"
L 34'-7 1/2"	L 13'-0"	L 32'-5 3/4"	L 5'-0 3/4"
SL 24'-0"	SL 8'-1"	SL 30'-0 1/2"	SL 19'-9 3/4"
SR 30'-0 1/2"	SR 19'-9 3/4"	SR 24'-0"	SR 8'-1"
DL 11'-11 3/4"	DL 23'-0 3/4"	DL 15'-2 1/2"	DL 24'-10 3/4"
DR 17'-3 1/4"	DR 26'-2 1/2"	DR 10'-9 1/4"	DR 22'-5 1/2"



DIAGONALS

From Point "D" to:-	From Point "E" to:-
E 19'-0"	E
F 18'-6 1/8"	F 14'-6 5/8"
G 17'-1 5/8"	G 20'-8 7/8"
H 18'-6"	H 23'-6 5/8"
J 18'-4 1/4"	J 28'-6 5/8"
K 16'-10 3/8"	K 28'-11 5/8"
L 7'-2 3/8"	L 24'-7 1/2"

NOTICE

SWIMMING POOLS AND ACCESSORIES (INCLUDING DIVING BOARDS) ARE DANGEROUS WHEN IMPROPERLY USED OR INSTALLED. IT IS THE RESPONSIBILITY OF MUNICIPAL OFFICIALS, BUILDERS AND POOL OWNERS TO ADHERE TO ALL SAFETY RECOMMENDATIONS AND STANDARDS ISSUED BY THE POOL & HOT TUB COUNCIL, LOCAL AUTHORITIES AND EQUIPMENT MANUFACTURERS. PLEASE REFER TO DIVING BOARD MANUFACTURERS FOR CORRECT POSITIONING AND INSTALLATION OF DIVING EQUIPMENT.