

### MISCELLANEOUS INFORMATION

PERIMETER:-	93'4"
SURFACE AREA:	472 SQ FT
VOLUME:	13528 IMP GALS 61555 L

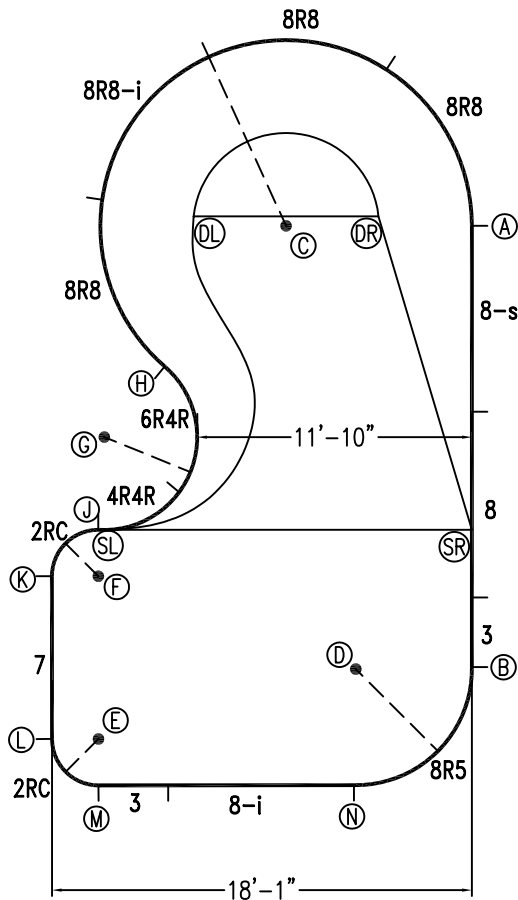
### CONCRETE DECK INFO

WIDTH	AREA	NET INCREASES FOR:			
		STEPS	DIVING	SLIDE	ROLLER
2'	199	13	27	24	10
2'6"	253	17	31	20	10
3'	308	20	36	16	10

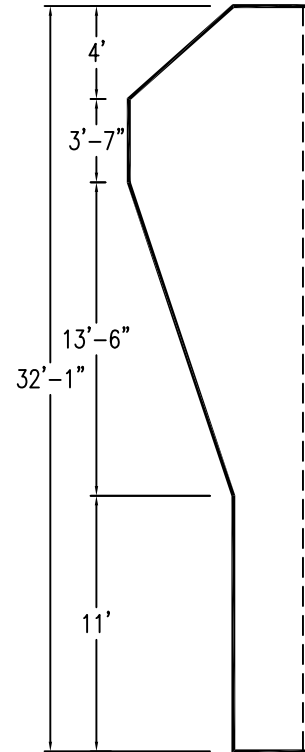
All Figures Represent "Sq Ft"

### PARTS LIST

CODE	QTY	DESCRIPTION
8-s	1	8' Skimmer
8R8-i	1	8' Return x 8' Rad
8R8	3	8' Plain x 8' Rad
8R5	1	8' Plain x 5' Rad
6R4R	1	6' Plain x 4 Reverse Rad
4R4R	1	4' Plain x 4' Reverse Rad
2RC	2	3'2" Plain x 2 Rad
8-i	1	8' Return
8	1	8' Plain
7	1	7' Plain
3	2	3' Plain
AF	15	A-Frame
S	30	Stake
NB	90	Nuts & Bolts



6" WATER LINE—|—|—



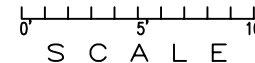
\*ALL DIMENSIONS ARE FINISHED

### INSTALLATION DATA

From Point "A" to:-		From Point "B" to:-	
B	19'-0"	B	
C	8'-0"	C	20'-7 3/8"
D	19'-8 3/4"	D	5'-0"
E	27'-3 7/8"	E	16'-4 1/2"
F	22'-0 5/8"	F	16'-6 5/8"
G	18'-3"	G	18'-8"
H	14'-6 5/8"	H	18'-6 1/8"
J	20'-8 7/8"	J	17'-1 5/8"
K	23'-6 5/8"	K	18'-6"
L	28'-6 5/8"	L	18'-4 1/8"
M	28'-11 5/8"	M	16'-10 3/8"
N	24'-7 3/8"	N	7'-2 1/4"
SL	20'-8 7/8"	SL	17'-1 5/8"
SR	13'-1"	SR	5'-10 7/8"
DL	11'-11 7/8"	DL	22'-9 3/4"
DR	4'-0 1/2"	DR	19'-9 7/8"

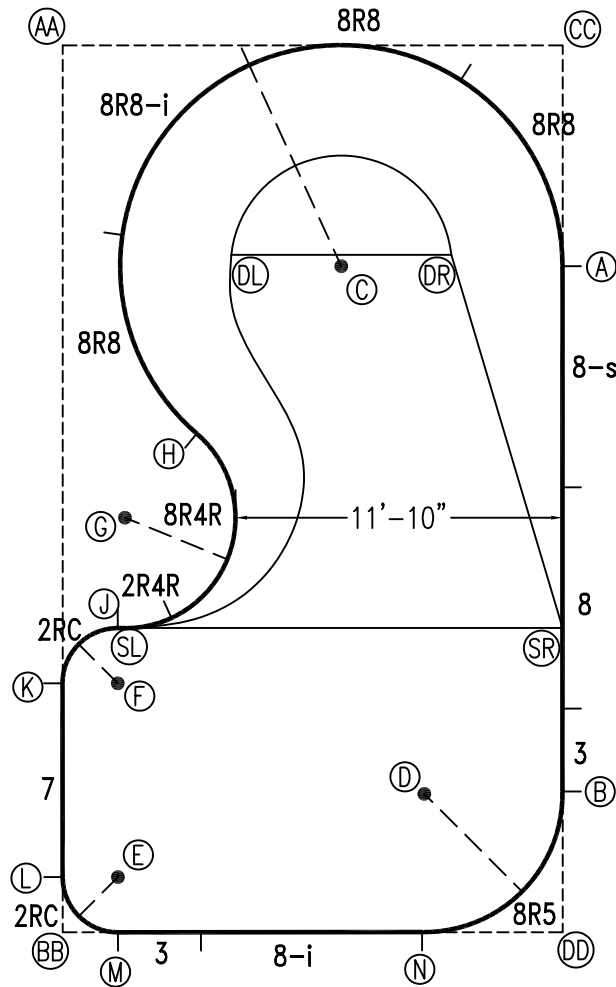
### NOTICE

SWIMMING POOLS AND ACCESSORIES (INCLUDING DIVING BOARDS) ARE DANGEROUS WHEN IMPROPERLY USED OR INSTALLED. IT IS THE RESPONSIBILITY OF MUNICIPAL OFFICIALS, BUILDERS AND POOL OWNERS TO ADHERE TO ALL SAFETY RECOMMENDATIONS AND STANDARDS ISSUED BY THE POOL & HOT TUB COUNCIL, LOCAL AUTHORITIES AND EQUIPMENT MANUFACTURERS. PLEASE REFER TO DIVING BOARD MANUFACTURERS FOR CORRECT POSITIONING AND INSTALLATION OF DIVING EQUIPMENT.



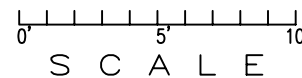
### EXTERNAL INSTALLATION DATA

AA TO:	BB TO:	CC TO:	DD TO:
AA ---	AA 32'-1"	AA 18'-1"	AA 36'-9 7/8"
BB ---	BB ---	BB 36'-9 7/8"	BB 18'-1"
CC ---	CC ---	CC ---	CC 32'-1"
A 19'-9 1/8"	A 30'-1 1/2"	A 7'-11 7/8"	A 24'-1 1/8"
B 32'-5 7/8"	B 18'-9 1/2"	B 26'-11 7/8"	B 5'-1 1/8"
C 12'-10 1/4"	C 26'-1 3/8"	C 11'-3 3/4"	C 25'-4 5/8"
D 30'-0 7/8"	D 14'-0"	D 27'-6 3/8"	D 7'-0 7/8"
E 30'-1 7/8"	E 2'-9 7/8"	E 34'-1 3/8"	E 16'-2 1/2"
F 23'-1 7/8"	F 9'-2 5/8"	F 28'-1 5/8"	F 18'-5 1/4"
G 17'-2 3/4"	G 15'-1 7/8"	G 23'-3 1/2"	G 21'-9 3/4"
H 14'-10 1/4"	H 18'-8 1/8"	H 19'-3 5/8"	H 22'-4 1/2"
J 21'-2"	J 11'-2 1/4"	J 26'-6 1/4"	J 19'-5 7/8"
K 23'-0 7/8"	K 9'-0"	K 29'-3 7/8"	K 20'-2 1/2"
L 30'-1"	L 2'-0"	L 35'-1 1/4"	L 18'-2 3/8"
M 32'-1 3/4"	M 2'-0"	M 35'-10 3/4"	M 16'-1"
N 34'-7 1/4"	N 13'-0"	N 32'-5 3/4"	N 5'-1"
SL 21'-2"	SL 11'-2 1/4"	SL 26'-6 1/4"	SL 19'-5 7/8"
SR 27'-9 1/4"	SR 21'-1 7/8"	SR 21'-0 7/8"	SR 11'-0 1/8"
DL 9'-8 3/4"	DL 25'-3"	DL 14'-2 1/8"	DL 27'-3 3/8"
DR 15'-11 5/8"	DR 28'-3"	DR 8'-6 7/8"	DR 24'-10"



### NOTICE

SWIMMING POOLS AND ACCESSORIES (INCLUDING DIVING BOARDS) ARE DANGEROUS WHEN IMPROPERLY USED OR INSTALLED. IT IS THE RESPONSIBILITY OF MUNICIPAL OFFICIALS, BUILDERS AND POOL OWNERS TO ADHERE TO ALL SAFETY RECOMMENDATIONS AND STANDARDS ISSUED BY THE POOL & HOT TUB COUNCIL, LOCAL AUTHORITIES AND EQUIPMENT MANUFACTURERS. PLEASE REFER TO DIVING BOARD MANUFACTURERS FOR CORRECT POSITIONING AND INSTALLATION OF DIVING EQUIPMENT.



HIGHBURY POOLS LTD

GRAND BEND-LEFT 18 x 32

DRAWING REFERENCE #  
10A-18-32-1

DRAWN BY: GB  
REV. 08 FEB 2008  
SHEET 2 OF 2