

MISCELLANEOUS INFORMATION

PERIMETER:-	99'7
SURFACE AREA:	549.1 SQ FT
VOLUME:	16019 IMP GALS 72887 L

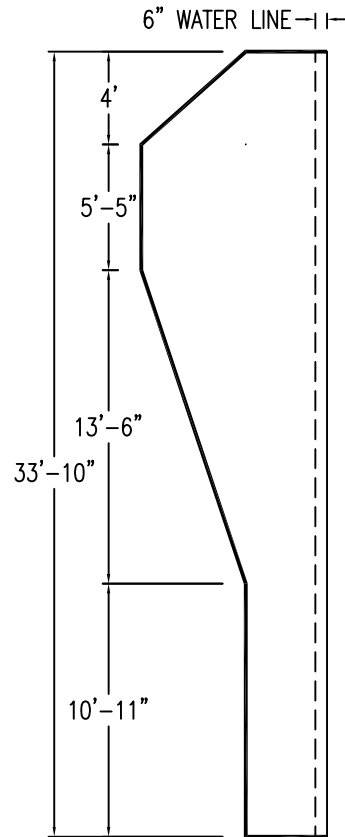
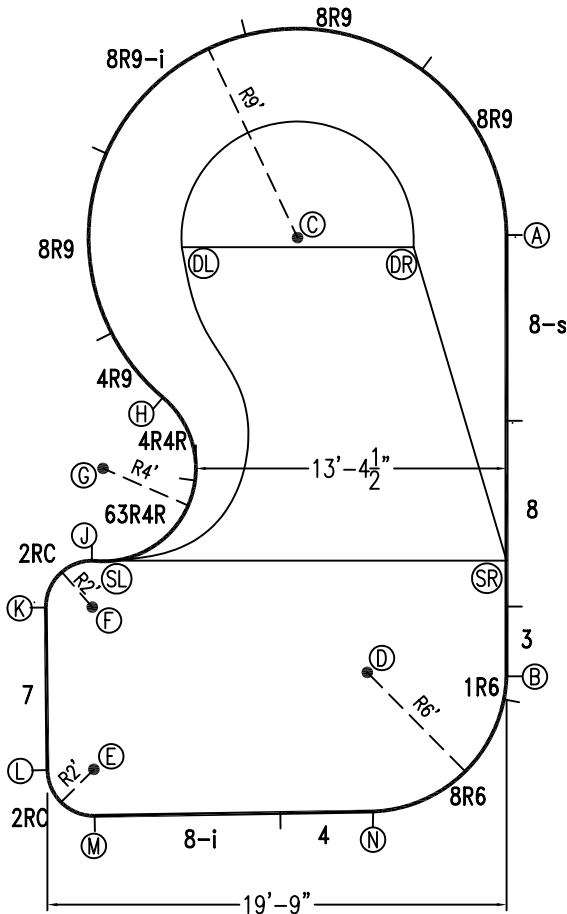
CONCRETE DECK INFO

WIDTH	AREA	NET INCREASES FOR:			
		STEPS	DIVING	SLIDE	ROLLER
2'	212	13	27	24	10
2'6"	269	17	31	20	10
3'	327	20	36	16	10

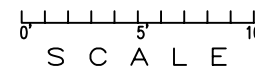
All Figures Represent "Sq Ft"

PARTS LIST

CODE	QTY	DESCRIPTION
8R9-i	1	8' Return x 9' Rad
8R9	3	8' Plain x 9' Rad
4R9	1	4' Plain x 9' Rad
8R6	1	8' Plain x 6' Rad
1R6	1	1' Plain x 6' Rad
4R4R	1	4' Plain x 4' Reverse Rad
63R4R	1	6'3 Plain x 4' Reverse Rad
2RC	2	3'2" Plain x 2' Rad Cnr
8-s	1	8' Skimmer
8-i	1	8' Return
8	1	8' Plain
7	1	7' Plain
4	1	4' Plain
3	1	3' Plain
AF	17	A-Frame
S	34	Stake
NB	102	Nuts & Bolts



*ALL DIMENSIONS ARE FINISHED



INSTALLATION DATA

From Point "A" to:-		From Point "B" to:-	
B	19'-0"	B	
C	9'-0"	C	20'-11 1/8"
D	19'-9 1/8"	D	6'-0"
E	29'-0 7/8"	E	18'-2 5/8"
F	23'-11 3/4"	F	18'-1"
G	20'-0 7/8"	G	19'-6 1/2"
H	16'-4 3/8"	H	19'-0 3/4"
J	22'-8 1/2"	J	18'-6 1/2"
K	25'-6 1/8"	K	20'-0 3/4"
L	30'-4 3/8"	L	20'-2 1/8"
M	30'-7 7/8"	M	18'-8 3/4"
N	25'-5 3/4"	N	8'-2 1/8"
SL	21'-11 1/2"	SL	17'-7 3/8"
SR	14'-0 1/4"	SR	4'-11 3/4"
DL	13'-11 7/8"	DL	23'-2 1/8"
DR	4'-0 3/8"	DR	18'-10 7/8"

NOTICE

SWIMMING POOLS AND ACCESSORIES (INCLUDING DIVING BOARDS) ARE DANGEROUS WHEN IMPROPERLY USED OR INSTALLED. IT IS THE RESPONSIBILITY OF MUNICIPAL OFFICIALS, BUILDERS AND POOL OWNERS TO ADHERE TO ALL SAFETY RECOMMENDATIONS AND STANDARDS ISSUED BY THE POOL & HOT TUB COUNCIL, LOCAL AUTHORITIES AND EQUIPMENT MANUFACTURERS. PLEASE REFER TO DIVING BOARD MANUFACTURERS FOR CORRECT POSITIONING AND INSTALLATION OF DIVING EQUIPMENT.

