

**MISCELLANEOUS INFORMATION**

PERIMETER:	109'9"
SURFACE AREA:	672 SQ FT
VOLUME:	19808 IMP GALS 90126 LITER

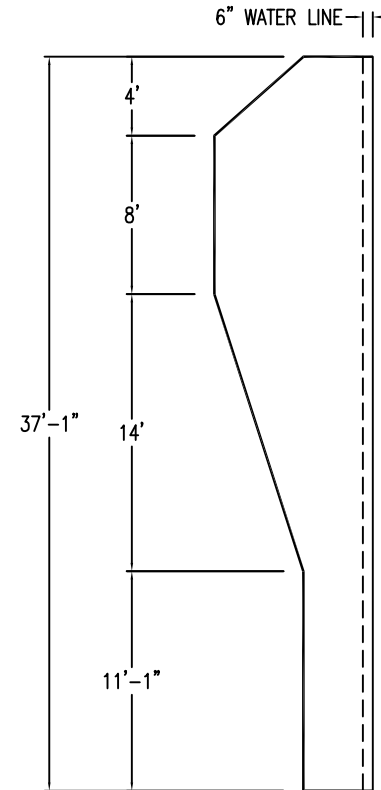
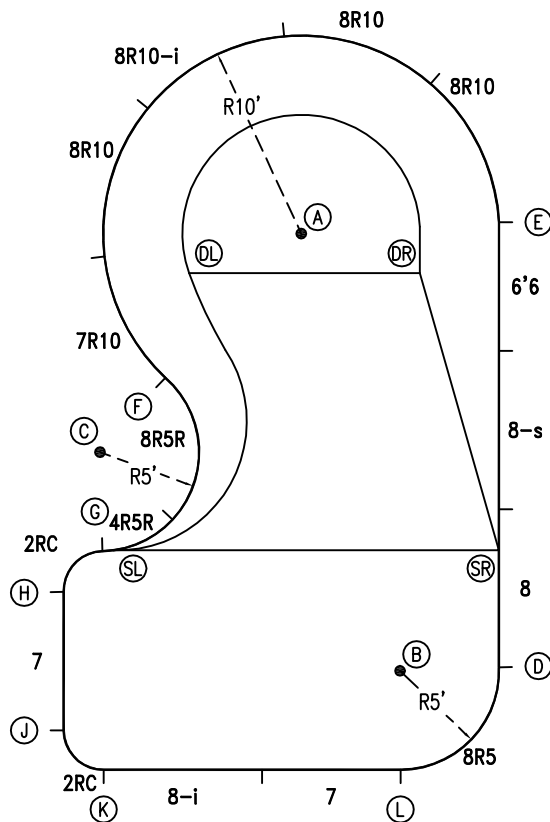
**CONCRETE DECK INFO**

WIDTH	AREA	NET INCREASES FOR:			
		STEPS	DIVING	SLIDE	ROLLER
2'	232	13	27	24	10
2'6"	294	17	31	20	10
3'	357	20	36	16	10

All Figures Represent "Sq Ft"

**PARTS LIST**

CODE	QTY	DESCRIPTION
8R5	1	8' Plain x 5' Radius
8	1	8' Plain
8-s	1	8' Skimmer
6'6	1	6'6" Plain
8R10	3	8' Plain x 10' Radius
8R10-i	1	8' Return x 10' Radius
7R10	1	7' Plain x 10' Radius
8R5R	1	8' Plain x 5' Reverse Radius
4R5R	1	4' Plain x 5' Reverse Radius
2RC	2	3'2" Plain x 2' Rad Cnr
7	2	7' Plain
8-i	1	8' Return
AF	16	A-Frame
S	32	Stakes
NB	96	Nuts & Bolts

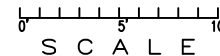


**INSTALLATION DATA**

From Point "A" to:-		From Point "B" to:-	
B	22'-7 3/4"	B	18'-8 3/4"
C	15'-0"	C	18'-8 3/4"
D	24'-0 3/4"	D	5'-0"
E	10'-0"	E	23'-2 1/2"
F	10'-0"	F	18'-11 1/2"
G	18'-11"	G	16'-2 1/2"
H	21'-8 1/2"	H	17'-5 1/4"
J	27'-9 3/4"	J	17'-2 3/4"
K	28'-10 1/4"	K	15'-9 1/2"
L	27'-6 1/2"	L	5'-0"
SL	18'-7"	SL	15'-8 1/2"
SR	18'-10 1/4"	SR	7'-10 1/2"
DL	6'-0"	DL	22'-8 3/4"
DR	6'-3 3/4"	DR	20'-1 1/4"

22'

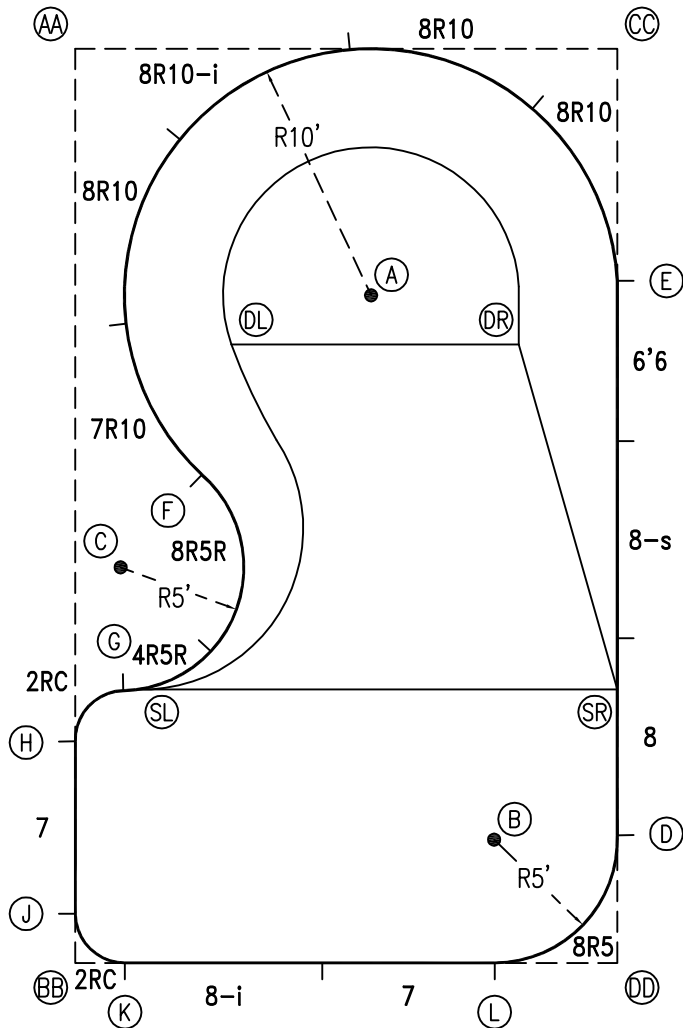
\*ALL DIMENSIONS ARE FINISHED



**NOTICE**

SWIMMING POOLS AND ACCESSORIES (INCLUDING DIVING BOARDS) ARE DANGEROUS WHEN IMPROPERLY USED OR INSTALLED. IT IS THE RESPONSIBILITY OF MUNICIPAL OFFICIALS, BUILDERS AND POOL OWNERS TO ADHERE TO ALL SAFETY RECOMMENDATIONS AND STANDARDS ISSUED BY THE POOL & HOT TUB COUNCIL, LOCAL AUTHORITIES AND EQUIPMENT MANUFACTURERS. PLEASE REFER TO DIVING BOARD MANUFACTURERS FOR CORRECT POSITIONING AND INSTALLATION OF DIVING EQUIPMENT.

PERIMETER: 109'9"



EXTERNAL INSTALLATION DATA

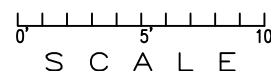
AA TO:	BB TO:	CC TO:	DD TO:
AA	AA 37'-1"	AA 21'-11 3/4"	AA 43'-1 1/4"
BB	BB	BB 43'-1 1/4"	BB 21'-11 3/4"
CC	CC	CC	CC 37'-1"
A	A 29'-7 1/2"	A 14'-1 1/2"	A 28'-10 1/4"
B	B 17'-8 1/2"	B 32'-5 3/4"	B 7'-0 3/4"
C	C 16'-1 3/4"	C 29'-1 1/2"	C 25'-9"
D	D 22'-6 3/4"	D 31'-11"	D 5'-2"
E	E 35'-4"	E 9'-5"	E 27'-8"
F	F 20'-5 1/2"	F 24'-1 3/4"	F 26'-0"
G	G 11'-2 1/2"	G 32'-10 1/4"	G 22'-10 1/2"
H	H 8'-11 3/4"	H 35'-8"	H 23'-9"
J	J 1'-11 3/4"	J 41'-4 3/4"	J 22'-0 3/4"
K	K 2'-0"	K 42'-1 1/2"	K 19'-11 3/4"
L	L 17'-0"	L 37'-5"	L 4'-11 3/4"
SL	SL 11'-4 1/2"	SL 32'-5 3/4"	SL 22'-4 3/4"
SR	SR 24'-7 1/2"	SR 26'-0"	SR 11'-1"
DL	DL 25'-10 1/2"	DL 19'-8 3/4"	DL 29'-6 3/4"
DR	DR 30'-10 1/2"	DR 12'-7 3/4"	DR 25'-4 3/4"

DIAGONALS

From Point "D" to:-	From Point "E" to:-
E 22'-5 7/8"	E
F 22'-3 7/8"	F 18'-7 1/8"
G 20'-10 5/8"	G 26'-0 1/2"
H 22'-3 3/4"	H 28'-10 1/8"
J 22'-2 5/8"	J 33'-9 5/8"
K 20'-7 5/8"	K 34'-1 1/2"
L 7'-2 1/8"	L 28'-1 3/8"

NOTICE

SWIMMING POOLS AND ACCESSORIES (INCLUDING DIVING BOARDS) ARE DANGEROUS WHEN IMPROPERLY USED OR INSTALLED. IT IS THE RESPONSIBILITY OF MUNICIPAL OFFICIALS, BUILDERS AND POOL OWNERS TO ADHERE TO ALL SAFETY RECOMMENDATIONS AND STANDARDS ISSUED BY THE POOL & HOT TUB COUNCIL, LOCAL AUTHORITIES AND EQUIPMENT MANUFACTURERS. PLEASE REFER TO DIVING BOARD MANUFACTURERS FOR CORRECT POSITIONING AND INSTALLATION OF DIVING EQUIPMENT.



HIGHBURY POOLS LTD

GRAND BEND - LEFT 20 x 22 x 37

DRAWING REFERENCE #  
10A-20-37-1

DRAWN BY: JK  
REV. 16 AUG 13  
SHEET 2 OF 2