

MISCELLANEOUS INFORMATION

PERIMETER:-	87'-10 1/4"
SURFACE AREA:	509.6 SQ FT
VOLUME:	14736.55 IMP GALS 67049 L

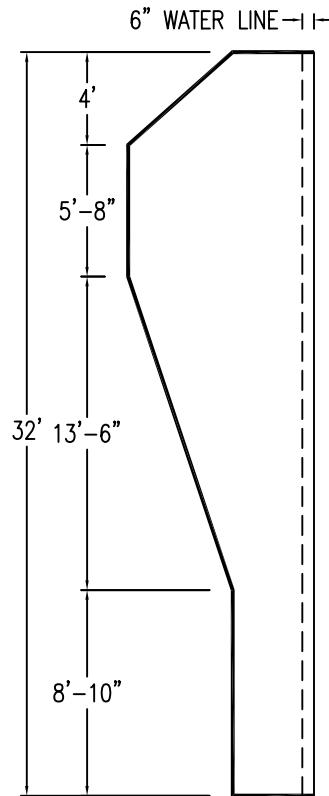
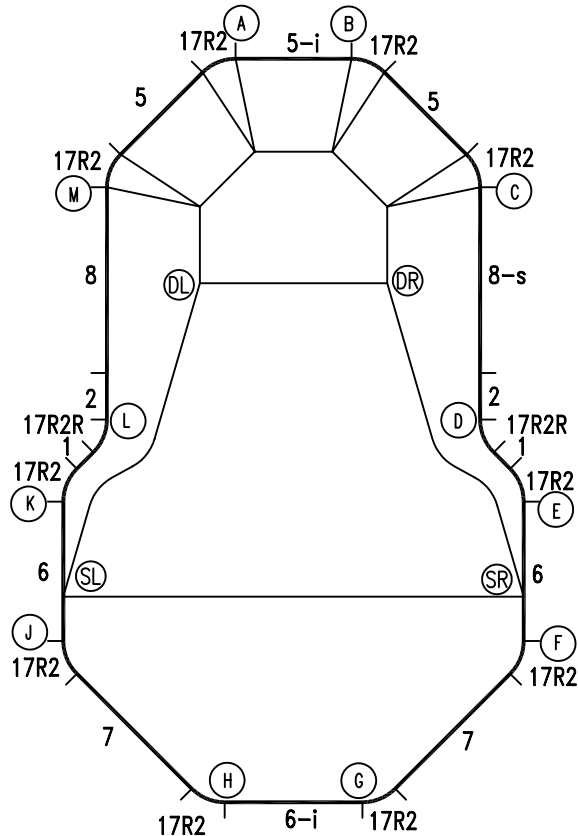
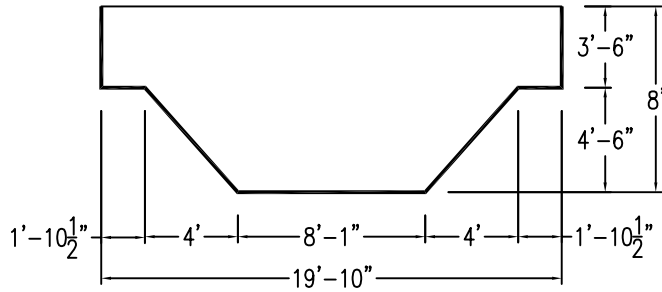
CONCRETE DECK INFO

WIDTH	AREA	NET INCREASES FOR:			
		STEPS	DIVING	SLIDE	ROLLER
2'	189	13	27	24	10
2'6"	240	17	31	20	10
3'	292	20	36	16	10

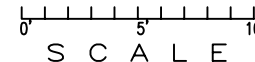
All Figures Represent "Sq Ft"

PARTS LIST

CODE	QTY	DESCRIPTION
8-s	1	8' Skimmer
6-i	1	6' Return
5-i	1	5' Return
8	1	8' Plain
7	2	7' Plain
6	2	6' Plain
5	2	5' Plain
2	2	2' Plain
1	2	1' Plain
17R2	10	1'7" Plain x 2' Radius
17R2R	2	1'7" Plain x 2' Reverse Radius
AF	26	A-Frame
S	52	Stake
NB	156	Nuts & Bolts



*ALL DIMENSIONS ARE FINISHED



INSTALLATION DATA

From Point "A" to:-		From Point "B" to:-	
B	5'-0"	B	7'-9 7/8"
C	11'-10 7/8"	C	7'-9 7/8"
D	18'-9 1/4"	D	16'-5 7/8"
E	22'-9 1/8"	E	20'-5 1/2"
F	27'-11 3/4"	F	26'-1 3/4"
G	32'-5 3/4"	G	32'-0 1/4"
H	32'-0 1/4"	H	32'-5 3/4"
J	26'-1 3/4"	J	27'-11 3/4"
K	20'-5 1/2"	K	22'-9 1/8"
L	16'-5 7/8"	L	18'-9 1/4"
M	7'-9 7/8"	M	11'-10 7/8"
SL	24'-3 7/8"	SL	26'-3 3/8"
SR	26'-3 3/8"	SR	24'-3 7/8"
DL	9'-9 1/2"	DL	11'-8"
DR	11'-8"	DR	9'-9 1/2"

NOTICE

SWIMMING POOLS AND ACCESSORIES (INCLUDING DIVING BOARDS) ARE DANGEROUS WHEN IMPROPERLY USED OR INSTALLED. IT IS THE RESPONSIBILITY OF MUNICIPAL OFFICIALS, BUILDERS AND POOL OWNERS TO ADHERE TO ALL SAFETY RECOMMENDATIONS AND STANDARDS ISSUED BY THE POOL & HOT TUB COUNCIL, LOCAL AUTHORITIES AND EQUIPMENT MANUFACTURERS. PLEASE REFER TO DIVING BOARD MANUFACTURERS FOR CORRECT POSITIONING AND INSTALLATION OF DIVING EQUIPMENT.

HIGHBURY POOLS LTD

GRECIAN TEE 16 x 19 x 32

DRAWING REFERENCE #
11-16-32-1

DRAWN BY: JB
REV. 27 NOV 2006
SHEET 1 OF 2

