

MISCELLANEOUS INFORMATION

PERIMETER:	99'9"
SURFACE AREA:	650 SQ FT
VOLUME:	18169 IMP GALS 82669 LITER

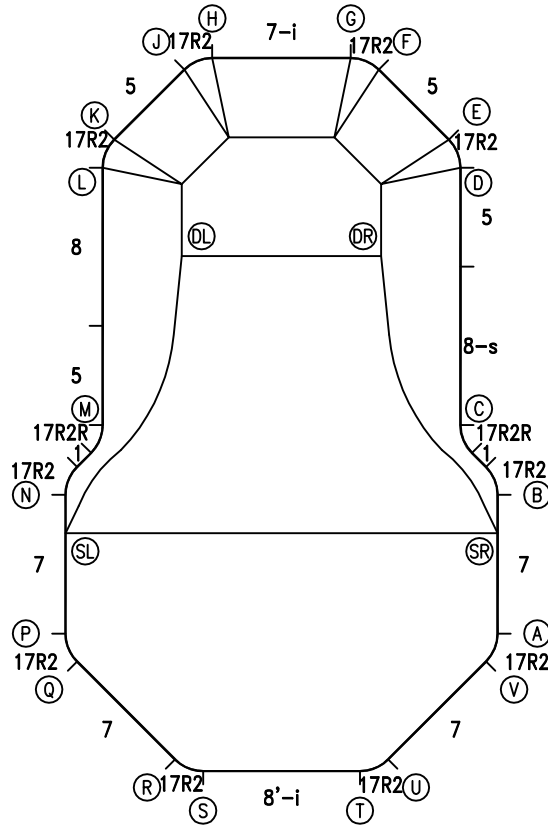
CONCRETE DECK INFO

WIDTH	AREA	NET INCREASES FOR:			
		STEPS	DIVING	SLIDE	ROLLER
2'	212	13	27	24	10
2'6"	269	17	31	20	10
3'	327	20	36	16	10

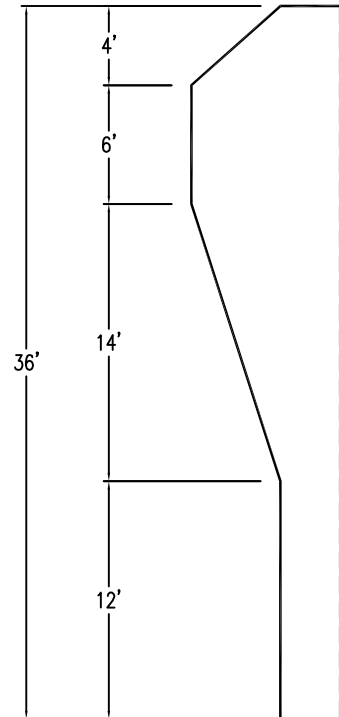
All Figures Represent "Sq Ft"

PARTS LIST

CODE	QTY	DESCRIPTION
17R2	10	1'7" Plain x 2' Radius
7	4	7' Plain
1	2	1' Plain
17R2R	2	1'7" Plain x 2' Reverse Radius
8-s	1	8' Skimmer
5	4	5' Plain
7-i	1	7' Return
8	1	8' Plain
8-i	1	8' Return
AF	26	A-Frame
S	52	Stakes
NB	156	Nuts & Bolts



6" WATER LINE



INSTALLATION DATA

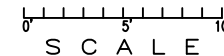
From Point "A" to:-		From Point "B" to:-	
B	7'-0"	B	4'-0"
C	10'-8 1/4"	C	16'-7 3/4"
D	23'-7 1/4"	D	18'-1 1/4"
E	25'-0 3/4"	E	22'-3 3/4"
F	29'-1 1/4"	F	23'-3 1/4"
G	30'-0"	G	26'-4 1/4"
H	32'-5 1/4"	H	26'-8 1/4"
J	32'-7"	J	26'-4 3/4"
K	31'-6 3/4"	K	25'-10 3/4"
L	30'-10 1/4"	L	20'-3"
M	22'-6 3/4"	M	21'-9 3/4"
N	22'-11"	N	22'-11"
P	21'-9 3/4"	P	22'-10"
Q	21'-3 1/2"	Q	21'-0 3/4"
R	17'-5 3/4"	R	20'-4 3/4"
S	16'-5"	S	15'-7"
T	9'-9 3/4"	T	14'-5 1/2"
U	8'-5 1/4"	U	8'-5 1/4"
V	1'-6 1/4"	V	21'-10 3/4"
SL	22'-4 3/4"	SL	1'-11"
SR	5'-0 3/4"	SR	20'-0"
DL	24'-10 1/4"	DL	13'-5"
DR	19'-11 1/2"	DR	

NOTICE

SWIMMING POOLS AND ACCESSORIES (INCLUDING DIVING BOARDS) ARE DANGEROUS WHEN IMPROPERLY USED OR INSTALLED. IT IS THE RESPONSIBILITY OF MUNICIPAL OFFICIALS, BUILDERS AND POOL OWNERS TO ADHERE TO ALL SAFETY RECOMMENDATIONS AND STANDARDS ISSUED BY THE POOL & HOT TUB COUNCIL, LOCAL AUTHORITIES AND EQUIPMENT MANUFACTURERS. PLEASE REFER TO DIVING BOARD MANUFACTURERS FOR CORRECT POSITIONING AND INSTALLATION OF DIVING EQUIPMENT.

21'-10"

*ALL DIMENSIONS ARE FINISHED

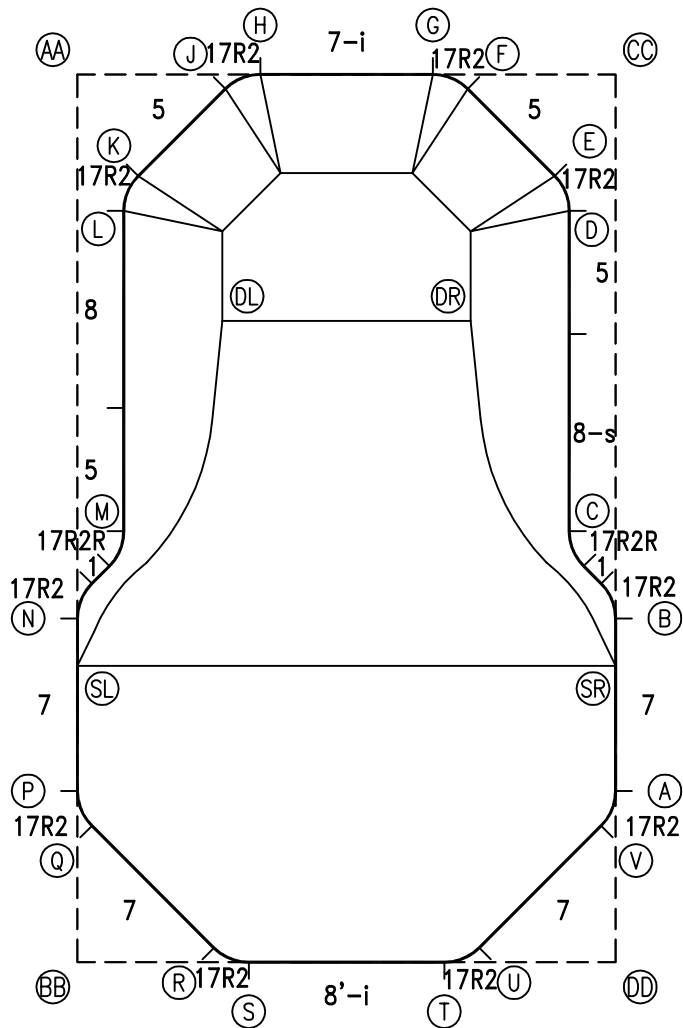


HIGHBURY POOLS LTD

GRECIAN T - 18 x 22 x 36

DRAWING REFERENCE #
11-18-36-1

DRAWN BY: JK
REV. 24 JUN 13
SHEET 1 OF 2



EXTERNAL INSTALLATION DATA

AA TO:	BB TO:	CC TO:	DD TO:
AA ---	AA 36'-0 1/4"	AA 21'-9 3/4"	AA 42'-1 1/4"
BB ---	BB ---	BB 42'-1 1/4"	BB 21'-9 3/4"
CC ---	CC ---	CC ---	CC 36'-0 1/4"
A 36'-4 1/4"	A 22'-10 3/4"	A 29'-0 3/4"	A 6'-11 1/4"
B 31'-0 1/2"	B 25'-10 3/4"	B 22'-0 3/4"	B 13'-11 1/4"
C 27'-2 3/4"	C 26'-6 1/4"	C 18'-7 1/2"	C 17'-7"
D 20'-8 1/2"	D 36'-5 1/4"	D 5'-10"	D 30'-6 1/2"
E 19'-9 1/2"	E 37'-3 3/4"	E 4'-9 1/2"	E 31'-11 3/4"
F 15'-10"	F 38'-9 3/4"	F 6'-0 1/4"	F 35'-11 1/4"
G 14'-4 3/4"	G 38'-9 1/2"	G 7'-4 3/4"	G 36'-9 1/4"
H 7'-4 3/4"	H 36'-9 1/4"	H 14'-4 3/4"	H 38'-9 1/2"
J 6'-0 1/4"	J 35'-11 1/4"	J 15'-10"	J 38'-9 3/4"
K 4'-9 1/2"	K 31'-11 3/4"	K 19'-9 1/2"	K 37'-3 3/4"
L 5'-10"	L 30'-6 1/2"	L 20'-8 1/2"	L 36'-5 1/4"
M 18'-7 1/2"	M 17'-7"	M 27'-2 3/4"	M 26'-6 1/4"
N 22'-0 3/4"	N 13'-11 1/4"	N 31'-0 1/2"	N 25'-10 3/4"
P 29'-0 3/4"	P 6'-11 1/4"	P 36'-4 1/4"	P 22'-10 3/4"
Q 30'-5 3/4"	Q 5'-6 3/4"	Q 37'-1 3/4"	Q 21'-11 1/4"
R 35'-10 1/4"	R 5'-6 3/4"	R 39'-0"	R 16'-3 1/2"
S 36'-8 1/4"	S 6'-11 1/4"	S 38'-11 1/2"	S 14'-10 1/2"
T 38'-11 1/2"	T 14'-10 1/2"	T 36'-8 1/4"	T 6'-11 1/4"
U 39'-0"	U 16'-3 1/2"	U 35'-10 1/4"	U 5'-6 3/4"
V 37'-1 3/4"	V 21'-11 1/4"	V 30'-5 3/4"	V 5'-6 3/4"
SL 24'-0"	SL 12'-0 1/4"	SL 32'-5 1/4"	SL 24'-11"
SR 32'-5 1/4"	SR 24'-11"	SR 24'-0"	SR 12'-0 1/4"
DL 11'-7 1/4"	DL 26'-8"	DL 18'-9 3/4"	DL 30'-6 1/4"
DR 18'-9 3/4"	DR 30'-6 1/4"	DR 11'-7 1/4"	DR 26'-8"

NOTICE

SWIMMING POOLS AND ACCESSORIES (INCLUDING DIVING BOARDS) ARE DANGEROUS WHEN IMPROPERLY USED OR INSTALLED. IT IS THE RESPONSIBILITY OF MUNICIPAL OFFICIALS, BUILDERS AND POOL OWNERS TO ADHERE TO ALL SAFETY RECOMMENDATIONS AND STANDARDS ISSUED BY THE POOL & HOT TUB COUNCIL, LOCAL AUTHORITIES AND EQUIPMENT MANUFACTURERS. PLEASE REFER TO DIVING BOARD MANUFACTURERS FOR CORRECT POSITIONING AND INSTALLATION OF DIVING EQUIPMENT.

