

MISCELLANEOUS INFORMATION

PERIMETER:-	111'-10"
SURFACE AREA:	810 SQ FT
VOLUME:	22192 IMP GALS 100974 L

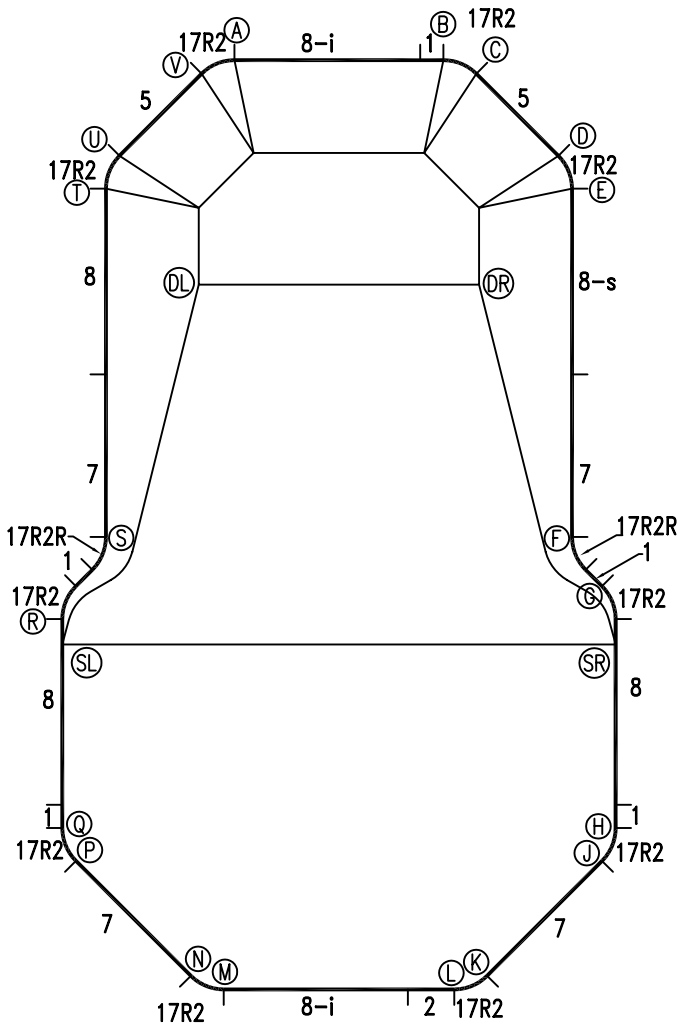
CONCRETE DECK INFO

WIDTH	AREA	NET INCREASES FOR:			
		STEPS	DIVING	SLIDE	ROLLER
2'	263	13	27	24	10
2'6"	299	17	31	20	10
3'	363	20	36	16	10

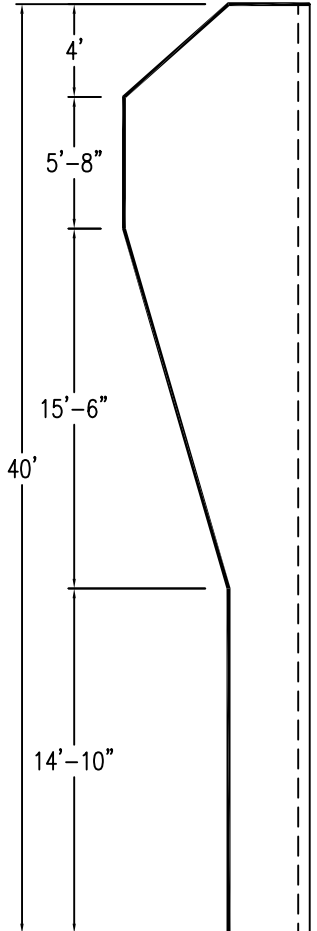
All Figures Represent "Sq Ft"

PARTS LIST

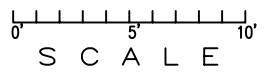
CODE	QTY	DESCRIPTION
8-s	1	8' Skimmer
8-i	2	8' Return
2	1	2' Plain
8	3	8' Plain
7	4	7' Plain
5	2	5' Plain
1	5	1' Plain
17R2	10	1'7" Plain x 2' Radius
17R2R	2	1'7" Plain x 2' Reverse Rad
AF	30	A-Frame
S	60	Stake
NB	180	Nuts & Bolts



6" WATER LINE - I I -



*ALL DIMENSIONS ARE FINISHED



INSTALLATION DATA

From Point "A" to:-		From Point "B" to:-	
B	9'-0"	B	
C	10'-5 1/8"	C	1'-6 3/8"
D	14'-6 1/2"	D	6'-5 1/4"
E	15'-6 5/8"	E	7'-9 7/8"
F	25'-1 7/8"	F	21'-3 1/4"
G	27'-7 5/8"	G	23'-7 7/8"
H	36'-11"	H	33'-10 3/4"
J	37'-11 3/8"	J	35'-1 7/8"
K	40'-10 7/8"	K	39'-5 3/4"
L	41'-1 1/2"	L	40'-0 1/4"
M	40'-0 1/4"	M	41'-1 1/2"
N	39'-5 3/4"	N	40'-10 7/8"
P	35'-1 7/8"	P	37'-11 3/8"
Q	33'-10 3/4"	Q	36'-11"
R	25'-2 1/4"	R	29'-1 5/8"
S	21'-3 1/4"	S	25'-1 7/8"
T	7'-9 7/8"	T	15'-6 5/8"
U	6'-5 1/4"	U	14'-6 1/2"
V	1'-6 3/8"	V	10'-5 1/8"
SL	26'-2 7/8"	SL	30'-0 1/2"
SR	30'-0 1/2"	SR	26'-2 7/8"
DL	9'-9 1/2"	DL	14'-3 5/8"
DR	14'-3 5/8"	DR	9'-9 1/2"

NOTICE

SWIMMING POOLS AND ACCESSORIES (INCLUDING DIVING BOARDS) ARE DANGEROUS WHEN IMPROPERLY USED OR INSTALLED. IT IS THE RESPONSIBILITY OF MUNICIPAL OFFICIALS, BUILDERS AND POOL OWNERS TO ADHERE TO ALL SAFETY RECOMMENDATIONS AND STANDARDS ISSUED BY THE POOL & HOT TUB COUNCIL, LOCAL AUTHORITIES AND EQUIPMENT MANUFACTURERS. PLEASE REFER TO DIVING BOARD MANUFACTURERS FOR CORRECT POSITIONING AND INSTALLATION OF DIVING EQUIPMENT.

HIGHBURY POOLS LTD

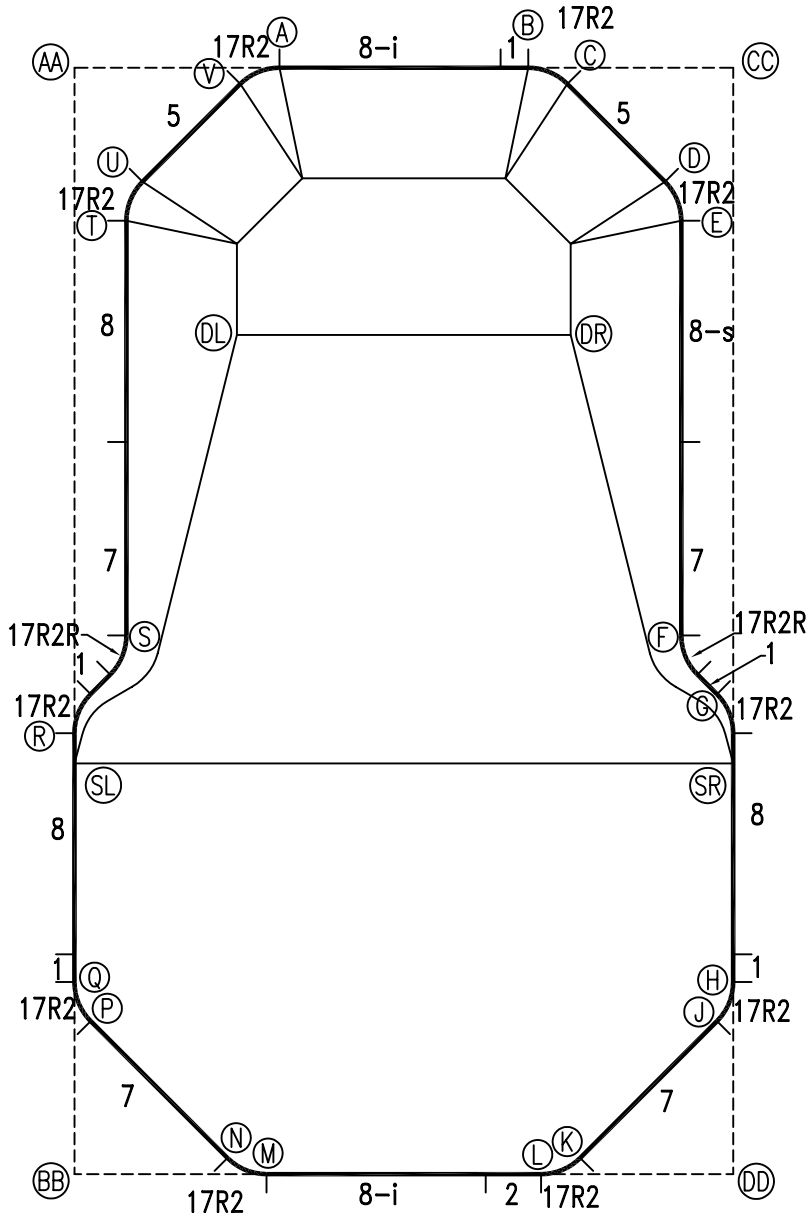
GRECIAN TEE 20 x 24 x 40

DRAWING REFERENCE #
11-20-40-1

DRAWN BY: GB
REV. 12 FEB 2008
SHEET 1 OF 2

EXTERNAL INSTALLATION DATA

AA TO:	BB TO:	CC TO:	DD TO:
AA	AA	AA	AA
BB	BB	BB	BB
CC	CC	CC	CC
A	A	A	A
B	B	B	B
C	C	C	C
D	D	D	D
E	E	E	E
F	F	F	F
G	G	G	G
H	H	H	H
J	J	J	J
K	K	K	K
L	L	L	L
M	M	M	M
N	N	N	N
P	P	P	P
Q	Q	Q	Q
R	R	R	R
S	S	S	S
T	T	T	T
U	U	U	U
V	V	V	V
SL	SL	SL	SL
SR	SR	SR	SR
DL	DL	DL	DL
DR	DR	DR	DR



0 5 10'
S C A L E

NOTICE

SWIMMING POOLS AND ACCESSORIES (INCLUDING DIVING BOARDS) ARE DANGEROUS WHEN IMPROPERLY USED OR INSTALLED. IT IS THE RESPONSIBILITY OF MUNICIPAL OFFICIALS, BUILDERS AND POOL OWNERS TO ADHERE TO ALL SAFETY RECOMMENDATIONS AND STANDARDS ISSUED BY THE POOL & HOT TUB COUNCIL, LOCAL AUTHORITIES AND EQUIPMENT MANUFACTURERS. PLEASE REFER TO DIVING BOARD MANUFACTURERS FOR CORRECT POSITIONING AND INSTALLATION OF DIVING EQUIPMENT.

HIGHBURY POOLS LTD

GRECIAN TEE 20 x 24 x 40

DRAWING REFERENCE #
11-20-40-1

DRAWN BY: GB
REV. 12 FEB 2008
SHEET 2 OF 2