

MISCELLANEOUS INFORMATION

PERIMETER:	87'5"
SURFACE AREA:	471 SQ FT
VOLUME:	14171 IMP GALS 64478 LITER

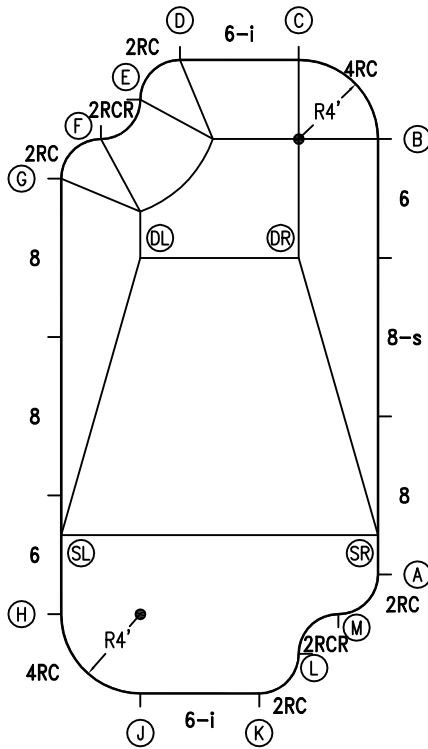
CONCRETE DECK INFO

WIDTH	AREA	NET INCREASES FOR:			
		STEPS	DIVING	SLIDE	ROLLER
2'	188	13	27	24	10
2'6"	239	17	31	20	10
3'	291	20	36	16	10

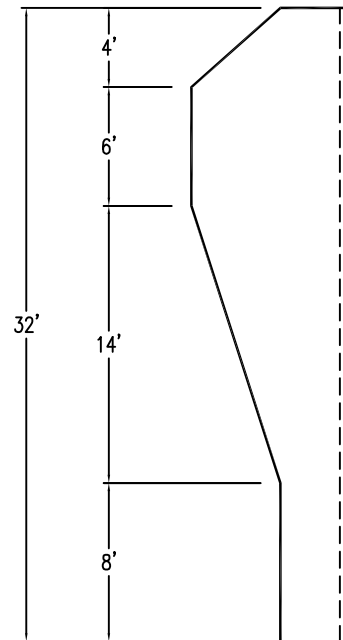
All Figures Represent "Sq Ft"

PARTS LIST

CODE	QTY	DESCRIPTION
2RC	4	3'2" Plain x 2' Rad Cnr
8	3	8' Plain
8-s	1	8' Skimmer
6	2	6' Plain
4RC	2	6'3" Plain x 4' Rad Cnr
6-i	2	6' Return
2RCR	2	3'2" Plain x 2' Rev Rad Cnr
AF	16	A-Frame
S	32	Stakes
NB	96	Nuts & Bolts

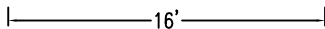


6" WATER LINE

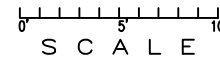


INSTALLATION DATA

From Point "A" to:-		From Point "B" to:-	
B	22'-0"	B	5'-7 3/4"
C	26'-3 1/4"	C	10'-9 1/4"
D	27'-10 1/4"	D	12'-1 3/4"
E	26'-9 3/4"	E	14'-0"
F	26'-0 3/4"	F	16'-1 1/2"
G	25'-7 1/4"	G	28'-10"
H	16'-1 1/2"	H	30'-5 1/2"
J	13'-4 3/4"	J	28'-7 1/2"
K	8'-5 3/4"	K	26'-3 1/2"
L	5'-7 3/4"	L	24'-0 3/4"
M	2'-9 3/4"	M	25'-7 1/4"
SL	16'-1 1/2"	SL	20'-0"
SR	2'-0"	SR	13'-4 3/4"
DL	20'-0"	DL	7'-2 1/2"
DR	16'-5 3/4"	DR	



*ALL DIMENSIONS ARE FINISHED



NOTICE

SWIMMING POOLS AND ACCESSORIES (INCLUDING DIVING BOARDS) ARE DANGEROUS WHEN IMPROPERLY USED OR INSTALLED. IT IS THE RESPONSIBILITY OF MUNICIPAL OFFICIALS, BUILDERS AND POOL OWNERS TO ADHERE TO ALL SAFETY RECOMMENDATIONS AND STANDARDS ISSUED BY THE POOL & HOT TUB COUNCIL, LOCAL AUTHORITIES AND EQUIPMENT MANUFACTURERS. PLEASE REFER TO DIVING BOARD MANUFACTURERS FOR CORRECT POSITIONING AND INSTALLATION OF DIVING EQUIPMENT.

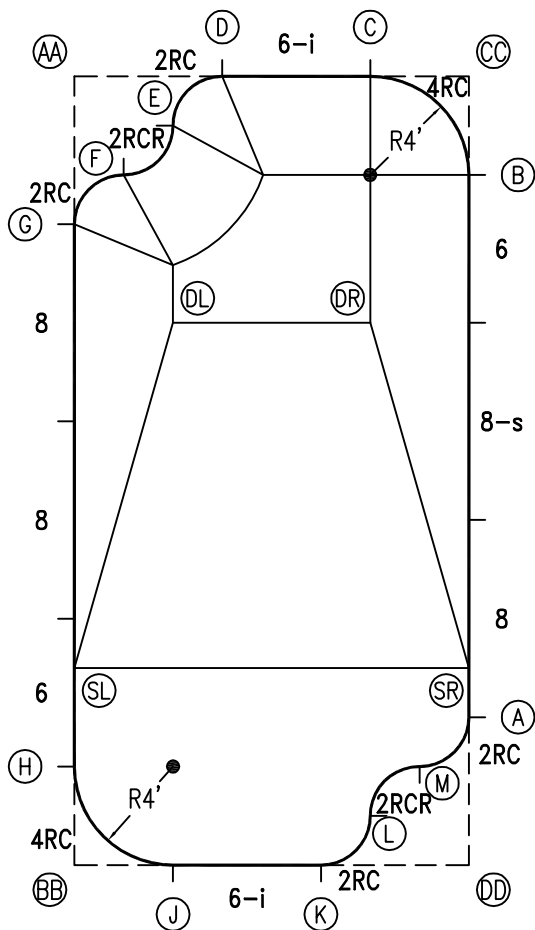
HIGHBURY POOLS LTD

HAWAIIAN - LEFT 16 x 16 x 32

DRAWING REFERENCE #
12-16-32-1

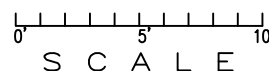
DRAWN BY: JK
REV. 25 JUN 13
SHEET 1 OF 2

PERIMETER: 87'5"



EXTERNAL INSTALLATION DATA

AA TO:	BB TO:	CC TO:	DD TO:
AA --	AA 32'-0"	AA 16'-0"	AA 35'-9 1/4"
BB --	BB --	BB 35'-9 1/4"	BB 16'-0"
CC --	CC --	CC --	CC 32'-0"
A 30'-6 1/4"	A 17'-1"	A 26'-0"	A 6'-0"
B 16'-5 3/4"	B 32'-2 3/4"	B 4'-0"	B 28'-0"
C 12'-0"	C 34'-2"	C 4'-0"	C 32'-2 3/4"
D 6'-0"	D 32'-6 3/4"	D 10'-0"	D 33'-6 1/4"
E 4'-5 1/2"	E 30'-3"	E 12'-1 3/4"	E 32'-3 3/4"
F 4'-5 1/2"	F 28'-0 3/4"	F 14'-6 3/4"	F 31'-3 1/2"
G 6'-0"	G 26'-0"	G 17'-1"	G 30'-6 1/4"
H 28'-0"	H 4'-0"	H 32'-2 3/4"	H 16'-5 3/4"
J 32'-2 3/4"	J 4'-0"	J 34'-2"	J 12'-0"
K 33'-6 1/4"	K 10'-0"	K 32'-6 3/4"	K 6'-0"
L 32'-3 3/4"	L 12'-1 3/4"	L 30'-3"	L 4'-5 1/2"
M 31'-3 1/2"	M 14'-6 3/4"	M 28'-0 3/4"	M 4'-5 1/2"
SL 24'-0"	SL 8'-0"	SL 28'-10"	SL 17'-10 1/2"
SR 28'-10"	SR 17'-10 1/2"	SR 24'-0"	SR 8'-0"
DL 10'-9 1/4"	DL 22'-4 1/4"	DL 15'-7 1/2"	DL 25'-0 3/4"
DR 15'-7 1/2"	DR 25'-0 3/4"	DR 10'-9 1/4"	DR 22'-4 1/4"



NOTICE

SWIMMING POOLS AND ACCESSORIES (INCLUDING DIVING BOARDS) ARE DANGEROUS WHEN IMPROPERLY USED OR INSTALLED. IT IS THE RESPONSIBILITY OF MUNICIPAL OFFICIALS, BUILDERS AND POOL OWNERS TO ADHERE TO ALL SAFETY RECOMMENDATIONS AND STANDARDS ISSUED BY THE POOL & HOT TUB COUNCIL, LOCAL AUTHORITIES AND EQUIPMENT MANUFACTURERS. PLEASE REFER TO DIVING BOARD MANUFACTURERS FOR CORRECT POSITIONING AND INSTALLATION OF DIVING EQUIPMENT.

HIGHBURY POOLS LTD

HAWAIIAN - LEFT 16 x 16 x 32

DRAWING REFERENCE #
12-16-32-1

DRAWN BY: JK
REV. 25 JUN 13
SHEET 2 OF 2