

**MISCELLANEOUS INFORMATION**

PERIMETER:	99'5"
SURFACE AREA:	607 SQ FT
VOLUME:	17380 IMP GALS 79079 LITER

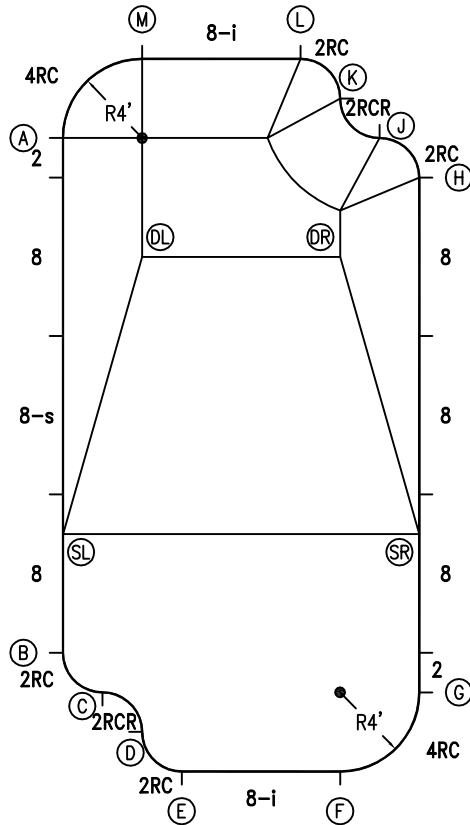
**CONCRETE DECK INFO**

WIDTH	AREA	NET INCREASES FOR:			
		STEPS	DIVING	SLIDE	ROLLER
2'	212	13	27	24	10
2'6"	269	17	31	20	10
3'	327	20	36	16	10

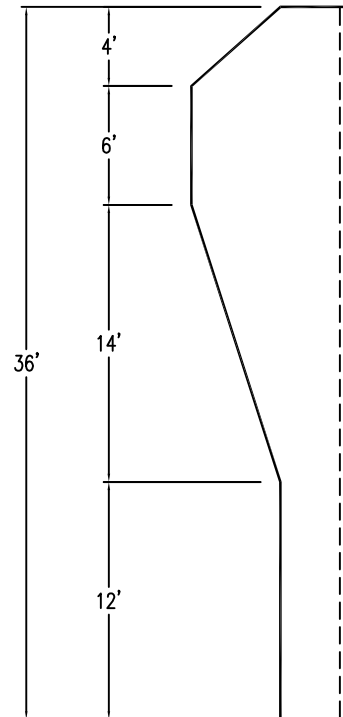
All Figures Represent "Sq Ft"

**PARTS LIST**

CODE	QTY	DESCRIPTION
2RC	4	3'2" Plain x 2' Rad Cnr
8	5	8' Plain
8-s	1	8' Skimmer
2	2	2' Plain
4RC	2	6'3" Plain x 4' Rad Cnr
8-i	2	8' Return
2RCR	2	3'2" Plain x 2' Rev Rad Cnr
AF	18	A-Frame
S	36	Stakes
NB	108	Nuts & Bolts

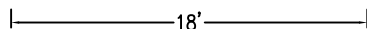


6" WATER LINE

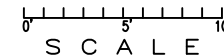


**INSTALLATION DATA**

From Point "A" to:-		From Point "B" to:-	
B	26'-0"	B	2'-9 3/4"
C	28'-0 3/4"	C	5'-7 3/4"
D	30'-3"	D	8'-5 3/4"
E	32'-6 3/4"	E	15'-2 3/4"
F	34'-11"	F	18'-1 1/4"
G	33'-3 1/2"	G	30'-0"
H	18'-1 1/4"	H	30'-6 1/4"
J	16'-0"	J	31'-3 1/2"
K	14'-1 3/4"	K	32'-3 3/4"
L	12'-7 3/4"	L	30'-3"
M	5'-7 3/4"	M	6'-0"
SL	20'-0"	SL	18'-11 1/2"
SR	26'-10 3/4"	SR	20'-4 3/4"
DL	7'-2 1/2"	DL	24'-4 3/4"
DR	15'-2 3/4"	DR	



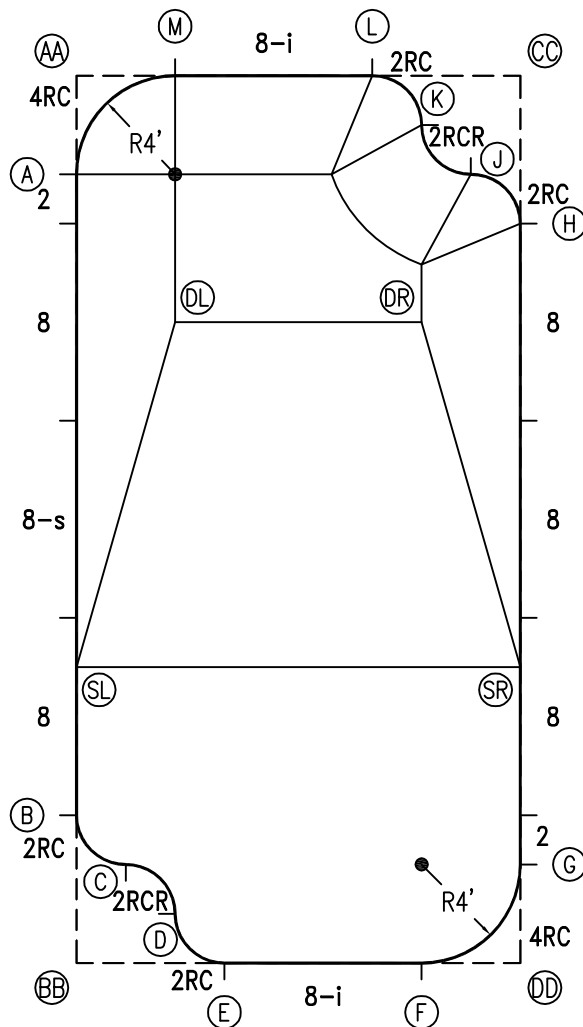
\*ALL DIMENSIONS ARE FINISHED



**NOTICE**

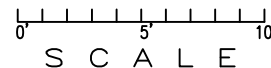
SWIMMING POOLS AND ACCESSORIES (INCLUDING DIVING BOARDS) ARE DANGEROUS WHEN IMPROPERLY USED OR INSTALLED. IT IS THE RESPONSIBILITY OF MUNICIPAL OFFICIALS, BUILDERS AND POOL OWNERS TO ADHERE TO ALL SAFETY RECOMMENDATIONS AND STANDARDS ISSUED BY THE POOL & HOT TUB COUNCIL, LOCAL AUTHORITIES AND EQUIPMENT MANUFACTURERS. PLEASE REFER TO DIVING BOARD MANUFACTURERS FOR CORRECT POSITIONING AND INSTALLATION OF DIVING EQUIPMENT.

PERIMETER: 99'5"



EXTERNAL INSTALLATION DATA

AA TO:	BB TO:	CC TO:	DD TO:
AA ---	AA 36'-0"	AA 18'-0"	AA 40'-2 3/4"
BB ---	BB ---	BB 40'-2 3/4"	BB 18'-0"
CC ---	CC ---	CC ---	CC 36'-0"
A 4'-0"	A 32'-0"	A 18'-5 1/4"	A 36'-8 1/2"
B 30'-0"	B 6'-0"	B 34'-11 3/4"	B 18'-11 1/2"
C 32'-0 3/4"	C 4'-5 1/2"	C 35'-9 1/4"	C 16'-5 3/4"
D 34'-2 3/4"	D 4'-5 1/2"	D 36'-9 1/4"	D 14'-1 3/4"
E 36'-5 3/4"	E 6'-0"	E 37'-11 1/4"	E 12'-0"
F 38'-7 1/2"	F 14'-0"	F 36'-2 1/2"	F 4'-0"
G 36'-8 1/2"	G 18'-5 1/4"	G 32'-0"	G 4'-0"
H 18'-11 1/2"	H 34'-11 3/4"	H 6'-0"	H 30'-0"
J 16'-5 3/4"	J 35'-9 1/4"	J 4'-5 1/2"	J 32'-0 3/4"
K 14'-1 3/4"	K 36'-9 1/4"	K 4'-5 1/2"	K 34'-2 3/4"
L 12'-0"	L 37'-11 1/4"	L 6'-0"	L 36'-5 3/4"
M 4'-0"	M 36'-2 1/2"	M 14'-0"	M 38'-7 1/2"
SL 24'-0"	SL 12'-0"	SL 30'-0"	SL 21'-7 1/2"
SR 30'-0"	SR 21'-7 1/2"	SR 24'-0"	SR 12'-0"
DL 10'-9 1/4"	DL 26'-3 1/2"	DL 17'-2 1/2"	DL 29'-6 1/4"
DR 17'-2 1/2"	DR 29'-6 1/4"	DR 10'-9 1/4"	DR 26'-3 1/2"



NOTICE

SWIMMING POOLS AND ACCESSORIES (INCLUDING DIVING BOARDS) ARE DANGEROUS WHEN IMPROPERLY USED OR INSTALLED. IT IS THE RESPONSIBILITY OF MUNICIPAL OFFICIALS, BUILDERS AND POOL OWNERS TO ADHERE TO ALL SAFETY RECOMMENDATIONS AND STANDARDS ISSUED BY THE POOL & HOT TUB COUNCIL, LOCAL AUTHORITIES AND EQUIPMENT MANUFACTURERS. PLEASE REFER TO DIVING BOARD MANUFACTURERS FOR CORRECT POSITIONING AND INSTALLATION OF DIVING EQUIPMENT.

HIGHBURY POOLS LTD

HAWAII - RIGHT 18 x 18 x 36

DRAWING REFERENCE #  
12-18-36-2

DRAWN BY: JK  
REV. 25 JUN 13  
SHEET 2 OF 2