

MISCELLANEOUS INFORMATION

PERIMETER:	111'5"
SURFACE AREA:	759 SQ FT
VOLUME:	20888 IMP GALS 95040 LITER

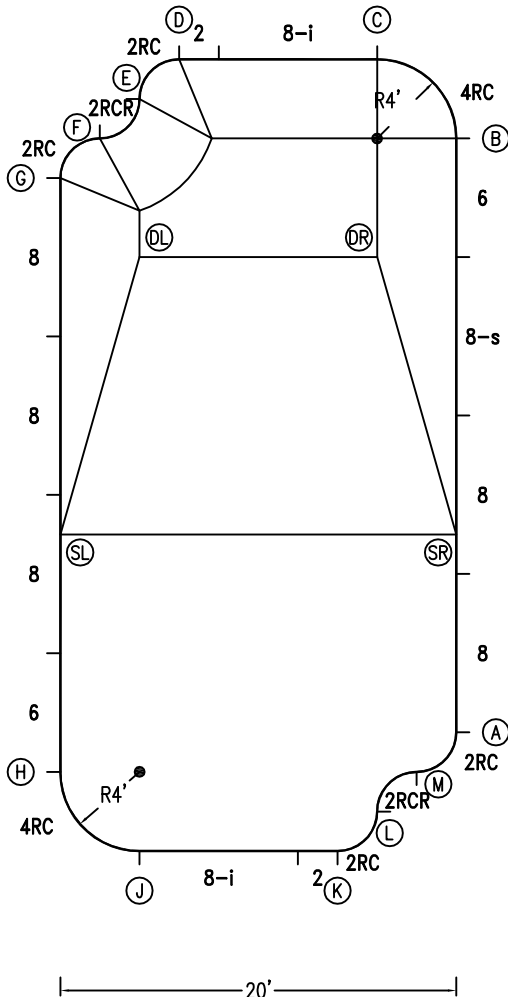
PARTS LIST

CODE	QTY	DESCRIPTION
2RC	4	3'2" Plain x 2' Rad Cnr
8	5	8' Plain
8-s	1	8' Skimmer
6	2	6' Plain
4RC	2	6'3" Plain x 4' Rad Cnr
8-i	2	8' Return
2	2	2' Plain
2RCR	2	3'2" Plain x 2' Rev Rad Cnr
AF	20	A-Frame
S	40	Stakes
NB	120	Nuts & Bolts

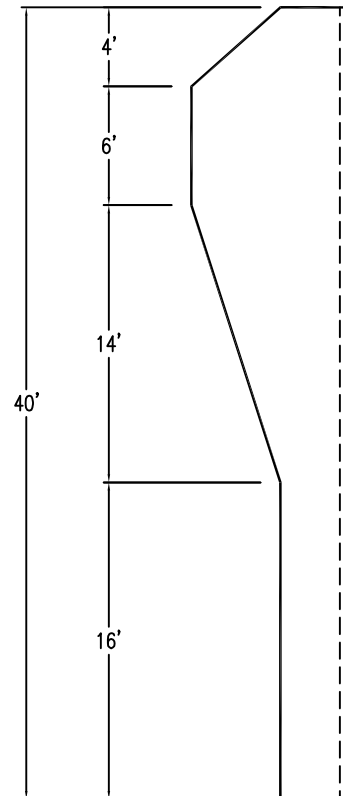
CONCRETE DECK INFO

WIDTH	AREA	NET INCREASES FOR:			
		STEPS	DIVING	SLIDE	ROLLER
2'	236	13	27	24	10
2'6"	299	17	31	20	10
3'	363	20	36	16	10

All Figures Represent "Sq Ft"



6" WATER LINE



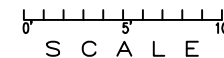
INSTALLATION DATA

From Point "A" to:-		From Point "B" to:-	
B	30'-0"	B	5'-7 3/4"
C	34'-2 3/4"	C	14'-6 3/4"
D	36'-9 1/4"	D	16'-1 1/2"
E	35'-9 1/4"	E	18'-0"
F	34'-11 3/4"	F	20'-1 1/4"
G	34'-4 3/4"	G	37'-8 3/4"
H	20'-1 1/4"	H	39'-4 3/4"
J	17'-1"	J	36'-5 3/4"
K	8'-5 3/4"	K	34'-2 3/4"
L	5'-7 3/4"	L	32'-0 3/4"
M	2'-9 3/4"	M	28'-3 1/4"
SL	22'-4 1/4"	SL	20'-0"
SR	10'-0"	SR	17'-1"
DL	28'-10"	DL	7'-2 1/2"
DR	24'-3 3/4"	DR	

NOTICE

SWIMMING POOLS AND ACCESSORIES (INCLUDING DIVING BOARDS) ARE DANGEROUS WHEN IMPROPERLY USED OR INSTALLED. IT IS THE RESPONSIBILITY OF MUNICIPAL OFFICIALS, BUILDERS AND POOL OWNERS TO ADHERE TO ALL SAFETY RECOMMENDATIONS AND STANDARDS ISSUED BY THE POOL & HOT TUB COUNCIL, LOCAL AUTHORITIES AND EQUIPMENT MANUFACTURERS. PLEASE REFER TO DIVING BOARD MANUFACTURERS FOR CORRECT POSITIONING AND INSTALLATION OF DIVING EQUIPMENT.

*ALL DIMENSIONS ARE FINISHED



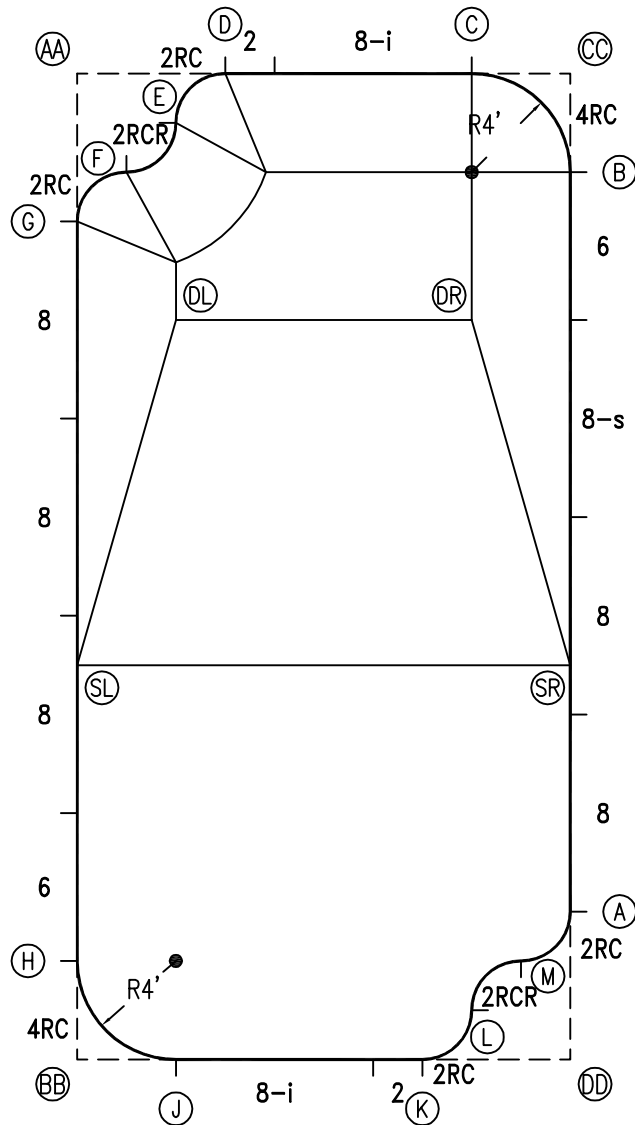
HIGHBURY POOLS LTD

HAWAII - LEFT 20 x 20 x 40

DRAWING REFERENCE #
12-20-40-1

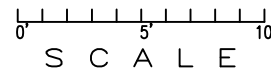
DRAWN BY: JK
REV. 25 JUN 13
SHEET 1 OF 2

PERIMETER: 111'5"



EXTERNAL INSTALLATION DATA

AA TO:	BB TO:	CC TO:	DD TO:
AA --	AA 40'-0"	AA 20'-0"	AA 44'-8 1/2"
BB --	BB --	BB 44'-8 1/2"	BB 20'-0"
CC --	CC --	CC --	CC 40'-0"
A 39'-5 1/4"	A 20'-10 1/2"	A 34'-0"	A 6'-0"
B 20'-4 3/4"	B 41'-2 1/4"	B 4'-0"	B 36'-0"
C 16'-0"	C 43'-0 3/4"	C 4'-0"	C 40'-2 1/4"
D 6'-0"	D 40'-5 1/4"	D 14'-0"	D 42'-4 1/2"
E 4'-5 1/2"	E 38'-2 1/2"	E 16'-1 1/2"	E 41'-2 3/4"
F 4'-5 1/2"	F 36'-0 1/2"	F 18'-5 1/4"	F 40'-2 3/4"
G 6'-0"	G 34'-0"	G 20'-10 1/2"	G 39'-5 1/4"
H 36'-0"	H 4'-0"	H 41'-2 1/4"	H 20'-4 3/4"
J 40'-2 1/4"	J 4'-0"	J 43'-0 3/4"	J 16'-0"
K 42'-4 1/2"	K 14'-0"	K 40'-5 1/4"	K 6'-0"
L 41'-2 3/4"	L 16'-1 1/2"	L 38'-2 1/2"	L 4'-5 1/2"
M 40'-2 3/4"	M 18'-5 1/4"	M 36'-0 1/2"	M 4'-5 1/2"
SL 24'-0"	SL 16'-0"	SL 31'-2 3/4"	SL 25'-7 1/4"
SR 31'-2 3/4"	SR 25'-7 1/4"	SR 24'-0"	SR 16'-0"
DL 10'-9 1/4"	DL 30'-3"	DL 18'-10 1/4"	DL 34'-0"
DR 18'-10 1/4"	DR 34'-0"	DR 10'-9 1/4"	DR 30'-3"



NOTICE

SWIMMING POOLS AND ACCESSORIES (INCLUDING DIVING BOARDS) ARE DANGEROUS WHEN IMPROPERLY USED OR INSTALLED. IT IS THE RESPONSIBILITY OF MUNICIPAL OFFICIALS, BUILDERS AND POOL OWNERS TO ADHERE TO ALL SAFETY RECOMMENDATIONS AND STANDARDS ISSUED BY THE POOL & HOT TUB COUNCIL, LOCAL AUTHORITIES AND EQUIPMENT MANUFACTURERS. PLEASE REFER TO DIVING BOARD MANUFACTURERS FOR CORRECT POSITIONING AND INSTALLATION OF DIVING EQUIPMENT.

HIGHBURY POOLS LTD

HAWAII - LEFT 20 x 20 x 40

DRAWING REFERENCE #
12-20-40-1

DRAWN BY: JK
REV. 25 JUN 13
SHEET 2 OF 2