

MISCELLANEOUS INFORMATION

PERIMETER:-	54'
SURFACE AREA:	210.5 SQ FT
VOLUME:	5044 IMP GALS 22952 L

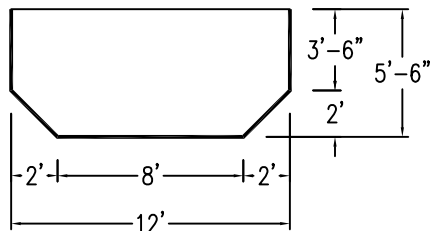
PARTS LIST

CODE	QTY	DESCRIPTION
8R18-s	1	8' Skimmer x 18' Radius
8R6-i	2	8' Return x 6' Radius
4R18	1	4' Plain x 18' Radius
8R6	2	8' Plain x 6' Radius
3R6	2	3' Plain x 6' Radius
4R5R	1	4' Plain x 5' Reverse Radius
AF	9	A-Frame
S	18	Stakes
NB	54	Nuts & Bolts

CONCRETE DECK INFO

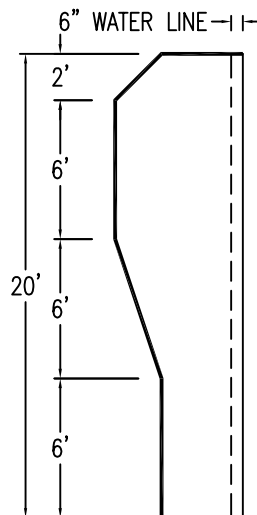
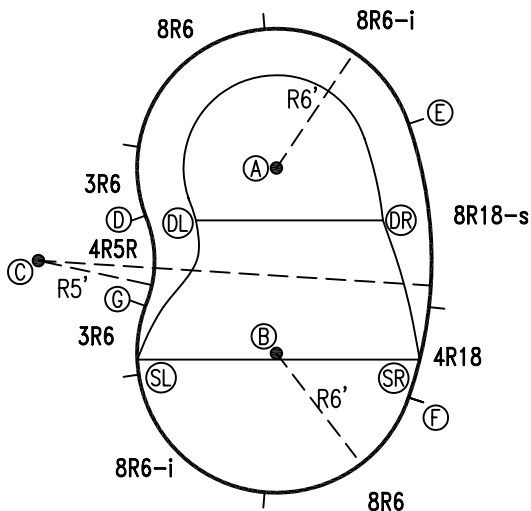
WIDTH	AREA	NET INCREASES FOR:			
		STEPS	DIVING	SLIDE	ROLLER
2'	121	13	27	24	10
2'6"	155	17	31	20	10
3'	190	20	36	16	10

All Figures Represent "Sq Ft"

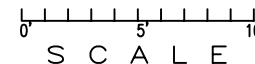


INSTALLATION DATA

From Point "A" to:-		From Point "B" to:-	
B	7'-11 3/4"	B	
C	11'-0"	C	11'-0"
D	6'-0"	D	8'-2 1/4"
E	6'-0"	E	11'-4 7/8"
F	11'-4 7/8"	F	6'-0"
G	8'-2 1/4"	G	6'-0"
SL	10'-2 3/8"	SL	6'-0"
SR	10'-3 5/8"	SR	6'-2 1/8"
DL	4'-1 5/8"	DL	6'-8 3/8"
DR	5'-1 3/8"	DR	7'-4"



\*ALL DIMENSIONS ARE FINISHED

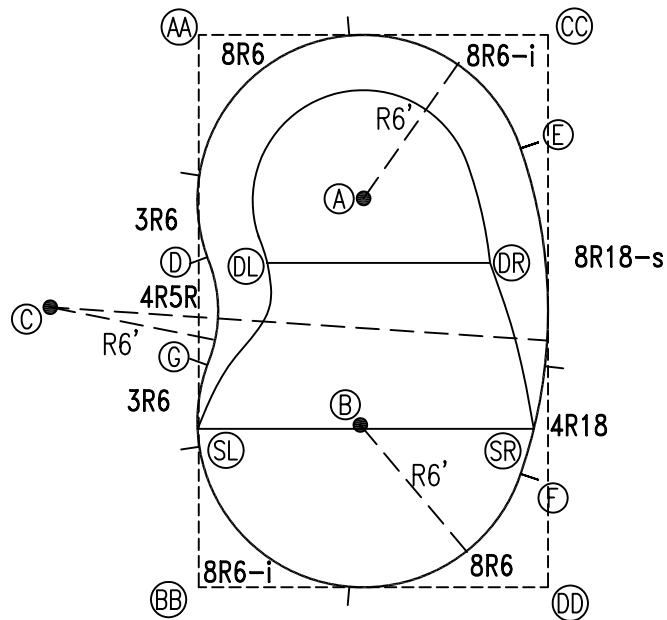


NOTICE

SWIMMING POOLS AND ACCESSORIES (INCLUDING DIVING BOARDS) ARE DANGEROUS WHEN IMPROPERLY USED OR INSTALLED. IT IS THE RESPONSIBILITY OF MUNICIPAL OFFICIALS, BUILDERS AND POOL OWNERS TO ADHERE TO ALL SAFETY RECOMMENDATIONS AND STANDARDS ISSUED BY THE POOL & HOT TUB COUNCIL, LOCAL AUTHORITIES AND EQUIPMENT MANUFACTURERS. PLEASE REFER TO DIVING BOARD MANUFACTURERS FOR CORRECT POSITIONING AND INSTALLATION OF DIVING EQUIPMENT.

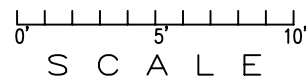
### EXTERNAL INSTALLATION DATA

AA TO:		BB TO:		CC TO:		DD TO:	
AA	--	AA	19'-11 3/4"	AA	12'-7 5/8"	AA	23'-7 5/8"
BB	--	BB	--	BB	23'-7 5/8"	BB	12'-7 5/8"
CC	--	CC	--	CC	--	CC	19'-11 3/4"
A	8'-4 3/4"	A	15'-3 3/8"	A	8'-10 7/8"	A	15'-6 7/8"
B	15'-3 1/4"	B	8'-3 3/8"	B	15'-7 7/8"	B	8'-11 5/8"
C	11'-2 5/8"	C	11'-5 5/8"	C	20'-6 1/4"	C	20'-7 7/8"
D	8'-0 5/8"	D	11'-11 3/8"	D	14'-8 5/8"	D	17'-1 7/8"
E	12'-4 1/8"	E	19'-8 1/4"	E	4'-2 5/8"	E	15'-10 7/8"
F	19'-8 1/4"	F	12'-4 1/8"	F	15'-10 7/8"	F	4'-2 5/8"
G	11'-11 3/8"	G	8'-0 1/2"	G	17'-1 7/8"	G	14'-8 5/8"
SL	14'-2 7/8"	SL	5'-8 3/4"	SL	19'-0 7/8"	SL	13'-10 7/8"
SR	18'-8 1/2"	SR	13'-4 7/8"	SR	14'-3 1/8"	SR	5'-9"
DL	8'-7 3/8"	DL	11'-11 7/8"	DL	13'-0 7/8"	DL	15'-6 1/8"
DR	13'-4 5/8"	DR	15'-9 1/4"	DR	8'-6 1/8"	DR	11'-11"



### DIAGONALS

F To D:	15'10"
E To G:	15'10"



### NOTICE

SWIMMING POOLS AND ACCESSORIES (INCLUDING DIVING BOARDS) ARE DANGEROUS WHEN IMPROPERLY USED OR INSTALLED. IT IS THE RESPONSIBILITY OF MUNICIPAL OFFICIALS, BUILDERS AND POOL OWNERS TO ADHERE TO ALL SAFETY RECOMMENDATIONS AND STANDARDS ISSUED BY THE POOL & HOT TUB COUNCIL, LOCAL AUTHORITIES AND EQUIPMENT MANUFACTURERS. PLEASE REFER TO DIVING BOARD MANUFACTURERS FOR CORRECT POSITIONING AND INSTALLATION OF DIVING EQUIPMENT.

**HIGHBURY POOLS LTD**

KIDNEY-CRESCENT-LEFT 12x20

DRAWING REFERENCE #  
14-12-20-1

DRAWN BY: JB  
REV. 2 FEB 2007  
SHEET 2 OF 2