

MISCELLANEOUS INFORMATION

PERIMETER: -63'
SURFACE AREA: 265.1 SQ FT
VOLUME: 6754 IMP GALS 30700 L

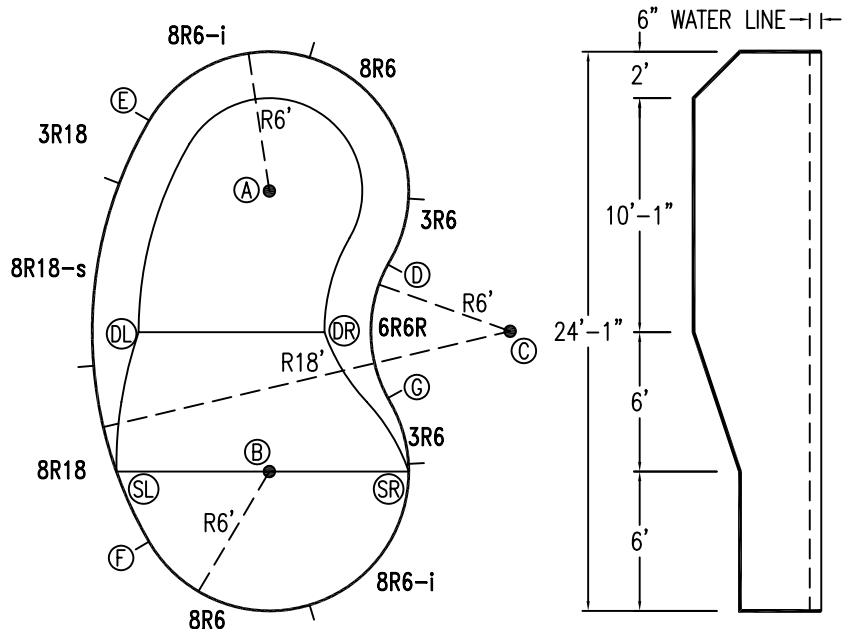
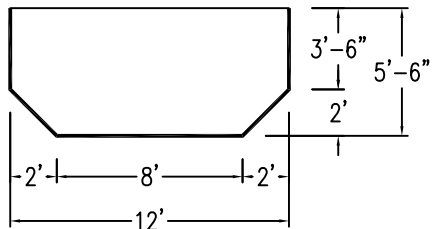
PARTS LIST

CODE	QTY	DESCRIPTION
8R18-s	1	8'Skimmer x 18' Radius
8R6-i	2	8'Return x 6' Radius
8R18	1	8'Plain x 18' Radius
3R18	1	3'Plain x 18' Radius
8R6	2	8'Plain x 6' Radius
3R6	2	3'Plain x 6' Radius
6R6R	1	6'Plain x 6' Reverse Radius
AF	10	A-Frame
S	20	Stake
NB	60	Nuts & Bolts

CONCRETE DECK INFO

WIDTH	AREA	NET INCREASES FOR:			
		STEPS	DIVING	SLIDE	ROLLER
2'	139	13	27	24	10
2'6"	178	17	31	20	10
3'	218	20	36	16	10

All Figures Represent "Sq Ft"



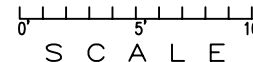
\*ALL DIMENSIONS ARE FINISHED

INSTALLATION DATA

From Point "A" to:-		From Point "B" to:-	
B	12'-1"	B	12'-0"
C	12'-0"	C	12'-0"
D	6'-0"	D	10'-3 1/4"
E	6'-0"	E	15'-11 3/4"
F	15'-11 5/8"	F	6'-0"
G	10'-3 1/4"	G	6'-0"
SL	13'-9 1/8"	SL	6'-7"
SR	13'-5 7/8"	SR	6'-0"
DL	8'-3 1/2"	DL	8'-2 3/4"
DR	6'-6 3/8"	DR	6'-5 3/8"

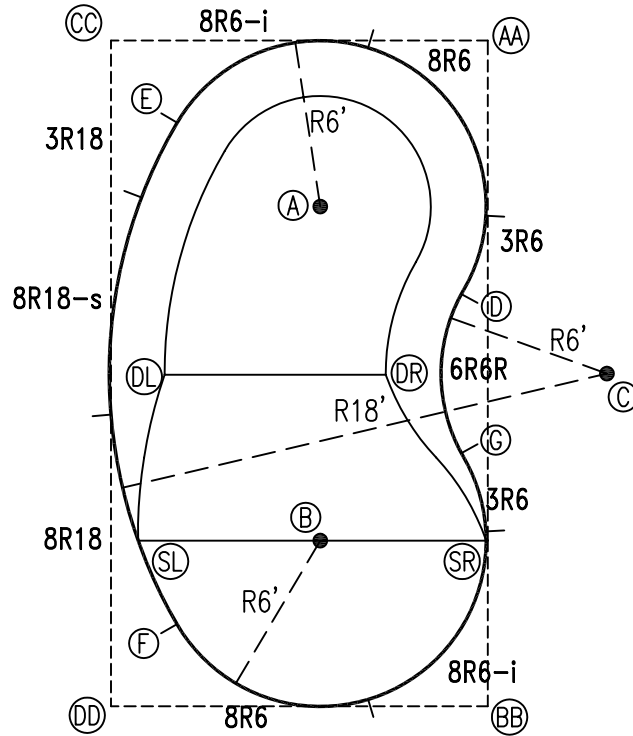
NOTICE

SWIMMING POOLS AND ACCESSORIES (INCLUDING DIVING BOARDS) ARE DANGEROUS WHEN IMPROPERLY USED OR INSTALLED. IT IS THE RESPONSIBILITY OF MUNICIPAL OFFICIALS, BUILDERS AND POOL OWNERS TO ADHERE TO ALL SAFETY RECOMMENDATIONS AND STANDARDS ISSUED BY THE POOL & HOT TUB COUNCIL, LOCAL AUTHORITIES AND EQUIPMENT MANUFACTURERS. PLEASE REFER TO DIVING BOARD MANUFACTURERS FOR CORRECT POSITIONING AND INSTALLATION OF DIVING EQUIPMENT.



EXTERNAL INSTALLATION DATA

AA TO:	BB TO:	CC TO:	DD TO:
AA ---	AA 24'-0 7/8"	AA 13'-7 5/8"	AA 27'-8 1/8"
BB ---	BB ---	BB 27'-8 1/8"	BB 13'-7 5/8"
CC ---	CC ---	CC ---	CC 24'-0 7/8"
A 8'-6 3/8"	A 19'-0 3/4"	A 9'-7 7/8"	A 19'-7 1/4"
B 19'-0 7/8"	B 8'-6 1/4"	B 19'-7 1/4"	B 9'-7 7/8"
C 12'-9 1/2"	C 12'-9 3/8"	C 21'-7 1/4"	C 21'-7 1/4"
D 9'-2 5/8"	D 14'-11 3/8"	D 15'-7 3/4"	D 19'-6 7/8"
E 11'-7 1/2"	E 23'-11"	E 3'-9 3/4"	E 21'-2 7/8"
F 23'-11"	F 11'-7 5/8"	F 21'-2 7/8"	F 3'-9 3/4"
G 14'-11 1/2"	G 9'-2 1/2"	G 19'-6 7/8"	G 15'-7 5/8"
SL 22'-0 7/8"	SL 14'-0"	SL 18'-1 3/8"	SL 6'-0 7/8"
SR 18'-1"	SR 6'-0"	SR 22'-7 3/8"	SR 14'-10"
DL 16'-9 7/8"	DL 16'-9"	DL 12'-2 7/8"	DL 12'-1 3/4"
DR 12'-7 5/8"	DR 12'-6 5/8"	DR 15'-7 3/4"	DR 15'-6 7/8"

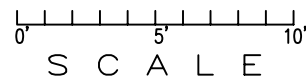


NOTICE

SWIMMING POOLS AND ACCESSORIES (INCLUDING DIVING BOARDS) ARE DANGEROUS WHEN IMPROPERLY USED OR INSTALLED. IT IS THE RESPONSIBILITY OF MUNICIPAL OFFICIALS, BUILDERS AND POOL OWNERS TO ADHERE TO ALL SAFETY RECOMMENDATIONS AND STANDARDS ISSUED BY THE POOL & HOT TUB COUNCIL, LOCAL AUTHORITIES AND EQUIPMENT MANUFACTURERS. PLEASE REFER TO DIVING BOARD MANUFACTURERS FOR CORRECT POSITIONING AND INSTALLATION OF DIVING EQUIPMENT.

DIAGONALS

F To D:	15'9"
E To G:	15'9"



HIGHBURY POOLS LTD

KIDNEY-CRESCENT-RIGHT 12x24

DRAWING REFERENCE #  
14-12-24-2

DRAWN BY: JB  
REV. 23 NOV 2006  
SHEET 2 OF 2