

MISCELLANEOUS INFORMATION

PERIMETER:	79'
SURFACE AREA:	431 SQ FT
VOLUME:	13415 IMP GALS 61038 LITER

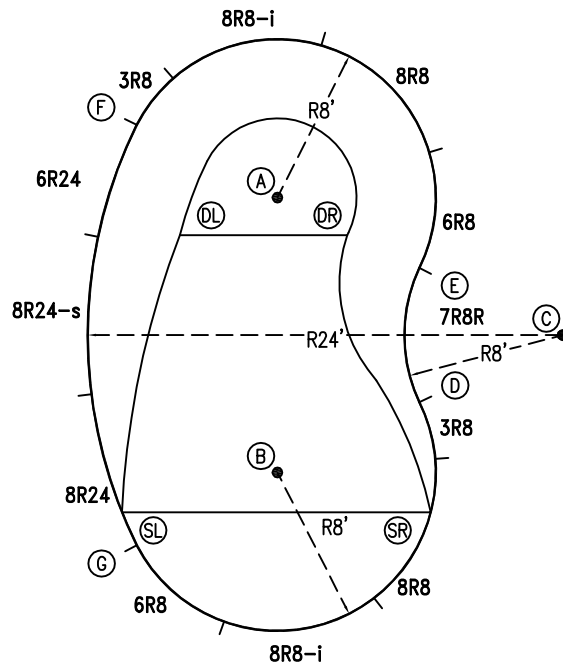
CONCRETE DECK INFO

WIDTH	AREA	NET INCREASES FOR:			
		STEPS	DIVING	SLIDE	ROLLER
2'	170	13	27	24	10
2'6"	217	17	31	20	10
3'	265	20	36	16	10

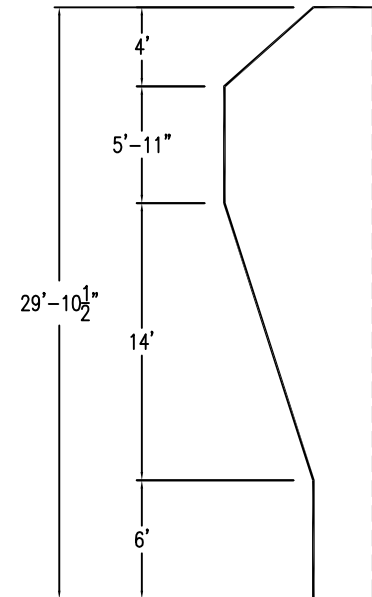
All Figures Represent "Sq Ft"

PARTS LIST

CODE	QTY	DESCRIPTION
3R8	2	3' Plain x 8' Radius
8R8-i	2	8' Return x 8' Radius
8R8	2	8' Plain x 8' Radius
6R8	2	6' Plain x 8' Radius
7R8R	1	7' Plain x 8' Reverse Radius
8R24	1	8' Plain x 24' Radius
8R24-s	1	8' Skimmer x 24' Radius
6R24	1	6' Plain x 24' Radius
AF	12	A-Frame
S	24	Stakes
NB	72	Nuts & Bolts



6" WATER LINE



INSTALLATION DATA

From Point "A" to:-		From Point "B" to:-	
B	13'-10 3/4"	B	16'-0"
C	16'-0"	C	16'-0"
D	12'-6 3/4"	D	8'-0"
E	8'-0"	E	12'-6 3/4"
F	8'-0"	F	18'-11 1/4"
G	18'-11 1/4"	G	8'-0"
SL	17'-8 3/4"	SL	8'-1 1/4"
SR	17'-8"	SR	8'-0"
DL	5'-3 1/2"	DL	12'-11 1/2"
DR	4'-0"	DR	12'-6"

17'-7"

*ALL DIMENSIONS ARE FINISHED

0 5 10
SCALE

NOTICE

SWIMMING POOLS AND ACCESSORIES (INCLUDING DIVING BOARDS) ARE DANGEROUS WHEN IMPROPERLY USED OR INSTALLED. IT IS THE RESPONSIBILITY OF MUNICIPAL OFFICIALS, BUILDERS AND POOL OWNERS TO ADHERE TO ALL SAFETY RECOMMENDATIONS AND STANDARDS ISSUED BY THE POOL & HOT TUB COUNCIL, LOCAL AUTHORITIES AND EQUIPMENT MANUFACTURERS. PLEASE REFER TO DIVING BOARD MANUFACTURERS FOR CORRECT POSITIONING AND INSTALLATION OF DIVING EQUIPMENT.

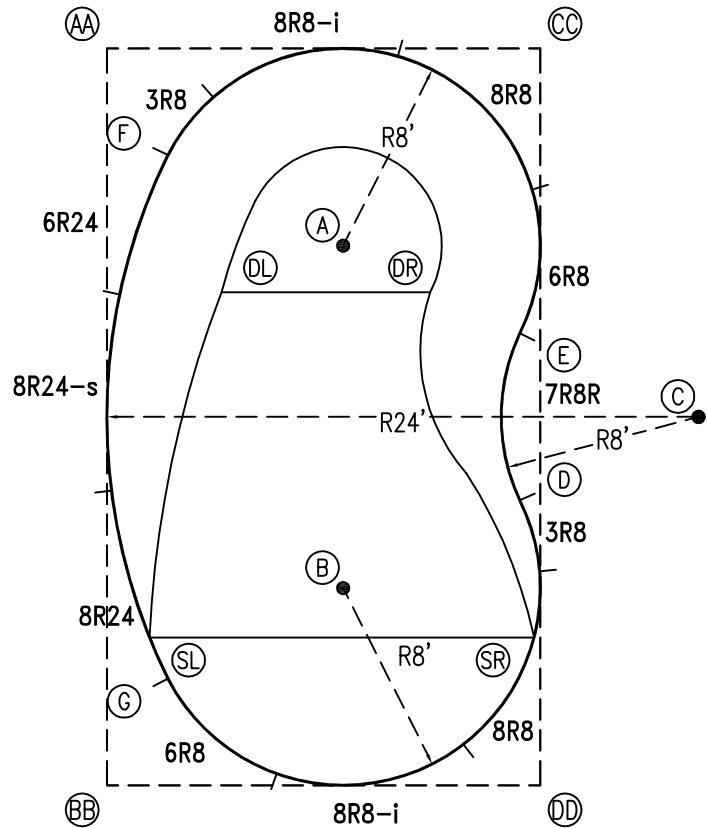
HIGHBURY POOLS LTD

KIDNEY-CRESCENT - RIGHT 16 x 18 x 30

DRAWING REFERENCE #
14-16-30-2

DRAWN BY: JK
REV. 25 JUN 13
SHEET 1 OF 2

PERIMETER: 79'



EXTERNAL INSTALLATION DATA

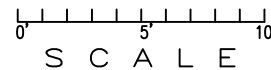
AA TO:	BB TO:	CC TO:	DD TO:
AA ---	AA 29'-10 3/4"	AA 17'-7"	AA 34'-8"
BB ---	BB ---	BB 34'-8"	BB 17'-7"
CC ---	CC ---	CC ---	CC 29'-10 3/4"
A 12'-5 3/4"	A 23'-10 3/4"	A 11'-3 3/4"	A 23'-3 1/2"
B 23'-10 3/4"	B 12'-5 3/4"	B 23'-3 1/2"	B 11'-3 3/4"
C 28'-3 1/4"	C 28'-3 1/4"	C 16'-3"	C 16'-3"
D 24'-10"	D 20'-4 1/4"	D 18'-4 1/4"	D 11'-7"
E 20'-4 1/4"	E 24'-10"	E 11'-7"	E 18'-4 1/4"
F 4'-11 3/4"	F 25'-8 1/4"	F 15'-8 1/2"	F 29'-8 1/4"
G 25'-8 1/4"	G 4'-11 3/4"	G 29'-8 1/4"	G 15'-8 1/2"
SL 23'-11 1/2"	SL 6'-2 3/4"	SL 28'-8"	SL 16'-11 1/4"
SR 29'-6 1/4"	SR 18'-4"	SR 23'-10 3/4"	SR 6'-0"
DL 10'-11 1/4"	DL 20'-6 1/4"	DL 16'-3 1/2"	DL 23'-9 3/4"
DR 16'-5"	DR 23'-10 3/4"	DR 10'-10 1/4"	DR 20'-5 3/4"

DIAGONALS

From Point "D" to:-	From Point "E" to:-
E 6'-9 3/8"	E
F 20'-0"	F 16'-0"
G 16'-0"	G 20'-0"

NOTICE

SWIMMING POOLS AND ACCESSORIES (INCLUDING DIVING BOARDS) ARE DANGEROUS WHEN IMPROPERLY USED OR INSTALLED. IT IS THE RESPONSIBILITY OF MUNICIPAL OFFICIALS, BUILDERS AND POOL OWNERS TO ADHERE TO ALL SAFETY RECOMMENDATIONS AND STANDARDS ISSUED BY THE POOL & HOT TUB COUNCIL, LOCAL AUTHORITIES AND EQUIPMENT MANUFACTURERS. PLEASE REFER TO DIVING BOARD MANUFACTURERS FOR CORRECT POSITIONING AND INSTALLATION OF DIVING EQUIPMENT.



HIGHBURY POOLS LTD

KIDNEY-CRESCENT - RIGHT 16 x 18 x 30

DRAWING REFERENCE #
14-16-30-2

DRAWN BY: JK
REV. 25 JUN 13
SHEET 2 OF 2