

**MISCELLANEOUS INFORMATION**

PERIMETER:	84'
SURFACE AREA:	470 SQ FT
VOLUME:	14139 IMP GALS 64332 LITER

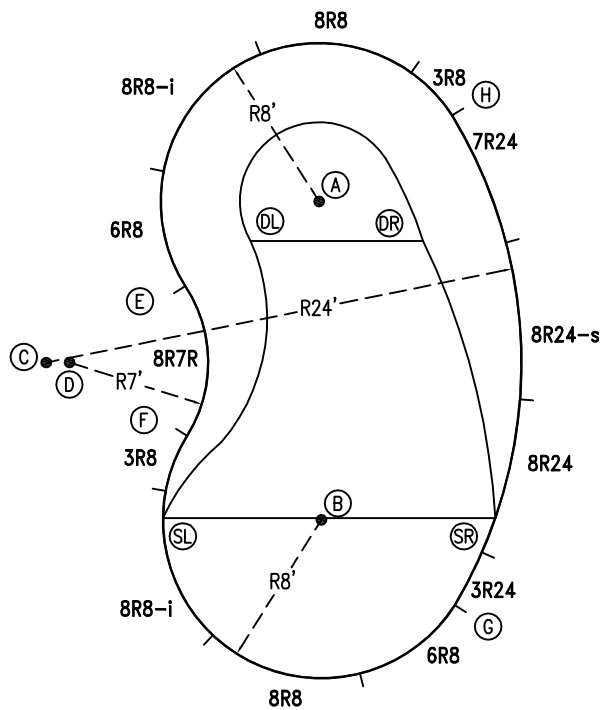
**CONCRETE DECK INFO**

WIDTH	AREA	NET INCREASES FOR:			
		STEPS	DIVING	SLIDE	ROLLER
2'	180	13	27	24	10
2'6"	230	17	31	20	10
3'	280	20	36	16	10

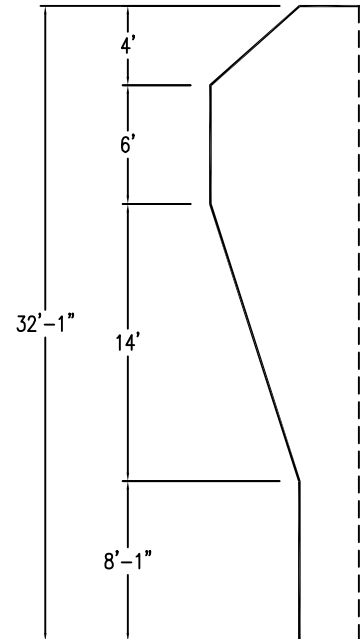
All Figures Represent "Sq Ft"

**PARTS LIST**

CODE	QTY	DESCRIPTION
3R8	2	3' Plain x 8' Radius
8R8	2	8' Plain x 8' Radius
8R8-i	2	8' Return x 8' Radius
6R8	2	6' Plain x 8' Radius
8R7R	1	8' Plain x 7' Reverse Radius
3R24	1	3' Plain x 24' Radius
8R24	1	8' Plain x 24' Radius
8R24-s	1	8' Skimmer x 24' Radius
7R24	1	7' Plain x 24' Radius
AF	13	A-Frame
S	26	Stakes
NB	78	Nuts & Bolts



6" WATER LINE



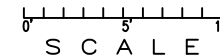
**INSTALLATION DATA**

From Point "A" to:-		From Point "B" to:-	
B	16'-1"	B	16'-0"
C	16'-0"	C	15'-0"
D	15'-0"	D	13'-8"
E	8'-0"	E	8'-0"
F	13'-7"	F	8'-0"
G	21'-6 1/4"	G	8'-0"
H	8'-0"	H	21'-5 3/4"
SL	17'-10"	SL	8'-0"
SR	18'-3 3/4"	SR	8'-9 1/4"
DL	4'-0"	DL	14'-6 1/4"
DR	5'-7 1/2"	DR	15'-0"

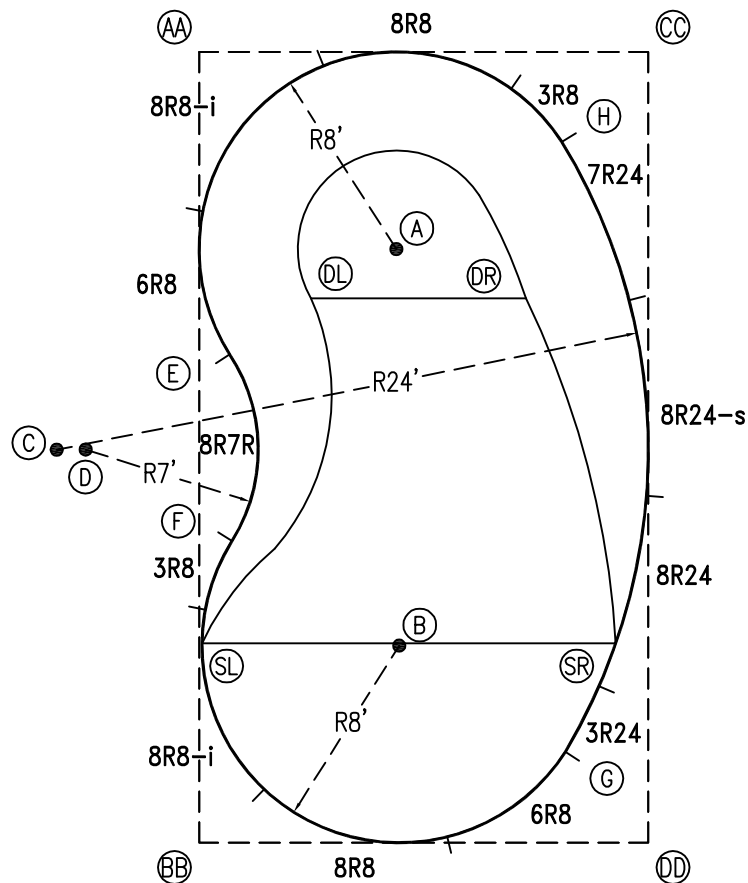
**NOTICE**

SWIMMING POOLS AND ACCESSORIES (INCLUDING DIVING BOARDS) ARE DANGEROUS WHEN IMPROPERLY USED OR INSTALLED. IT IS THE RESPONSIBILITY OF MUNICIPAL OFFICIALS, BUILDERS AND POOL OWNERS TO ADHERE TO ALL SAFETY RECOMMENDATIONS AND STANDARDS ISSUED BY THE POOL & HOT TUB COUNCIL, LOCAL AUTHORITIES AND EQUIPMENT MANUFACTURERS. PLEASE REFER TO DIVING BOARD MANUFACTURERS FOR CORRECT POSITIONING AND INSTALLATION OF DIVING EQUIPMENT.

\*ALL DIMENSIONS ARE FINISHED



PERIMETER: 84'



EXTERNAL INSTALLATION DATA

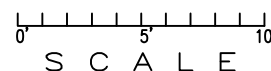
AA TO:	BB TO:	CC TO:	DD TO:
AA --	AA 32'-1"	AA 18'-2 1/2"	AA 36'-10 3/4"
BB --	BB --	BB 36'-10 3/4"	BB 18'-2 1/2"
CC --	CC --	CC --	CC 32'-1"
A 11'-3 3/4"	A 25'-4 1/2"	A 12'-11 3/4"	A 26'-2"
B 25'-5"	B 11'-4 3/4"	B 26'-1 1/2"	B 12'-10 1/2"
C 17'-1 3/4"	C 16'-11 1/2"	C 28'-11"	C 28'-9 3/4"
D 16'-9 1/4"	D 16'-7 1/4"	D 27'-11 1/4"	D 27'-10"
E 12'-4"	E 19'-10 1/4"	E 20'-11 1/2"	E 26'-1"
F 19'-10 3/4"	F 12'-3 3/4"	F 26'-0 3/4"	F 20'-10 1/4"
G 32'-0 1/2"	G 15'-3 1/2"	G 28'-7"	G 4'-11 3/4"
H 15'-1 3/4"	H 32'-0 1/4"	H 5'-0 3/4"	H 28'-7 3/4"
SL 24'-0"	SL 8'-1"	SL 30'-0 3/4"	SL 19'-9 3/4"
SR 29'-4 1/4"	SR 18'-8 3/4"	SR 24'-0 1/4"	SR 8'-2 1/4"
DL 10'-11 3/4"	DL 22'-6 1/2"	DL 16'-11 1/4"	DL 25'-11 3/4"
DR 16'-7 1/4"	DR 25'-9"	DR 11'-1 3/4"	DR 22'-7 1/2"

DIAGONALS

From Point "E" to:-	From Point "F" to:-
F 7'-6 7/8"	F
G 21'-1 1/4"	G 16'-0"
H 16'-0"	H 21'-0 1/8"

NOTICE

SWIMMING POOLS AND ACCESSORIES (INCLUDING DIVING BOARDS) ARE DANGEROUS WHEN IMPROPERLY USED OR INSTALLED. IT IS THE RESPONSIBILITY OF MUNICIPAL OFFICIALS, BUILDERS AND POOL OWNERS TO ADHERE TO ALL SAFETY RECOMMENDATIONS AND STANDARDS ISSUED BY THE POOL & HOT TUB COUNCIL, LOCAL AUTHORITIES AND EQUIPMENT MANUFACTURERS. PLEASE REFER TO DIVING BOARD MANUFACTURERS FOR CORRECT POSITIONING AND INSTALLATION OF DIVING EQUIPMENT.



HIGHBURY POOLS LTD

KIDNEY-CRESCENT - LEFT 16 x 18 x 32

DRAWING REFERENCE #  
14-16-32-1

DRAWN BY: JK  
REV. 26 JUN 13  
SHEET 2 OF 2