

MISCELLANEOUS INFORMATION

| | |
|---------------|------------------------|
| PERIMETER:- | 84' |
| SURFACE AREA: | 469 SQ FT |
| VOLUME: | 13938 IMP GALS 63416 L |

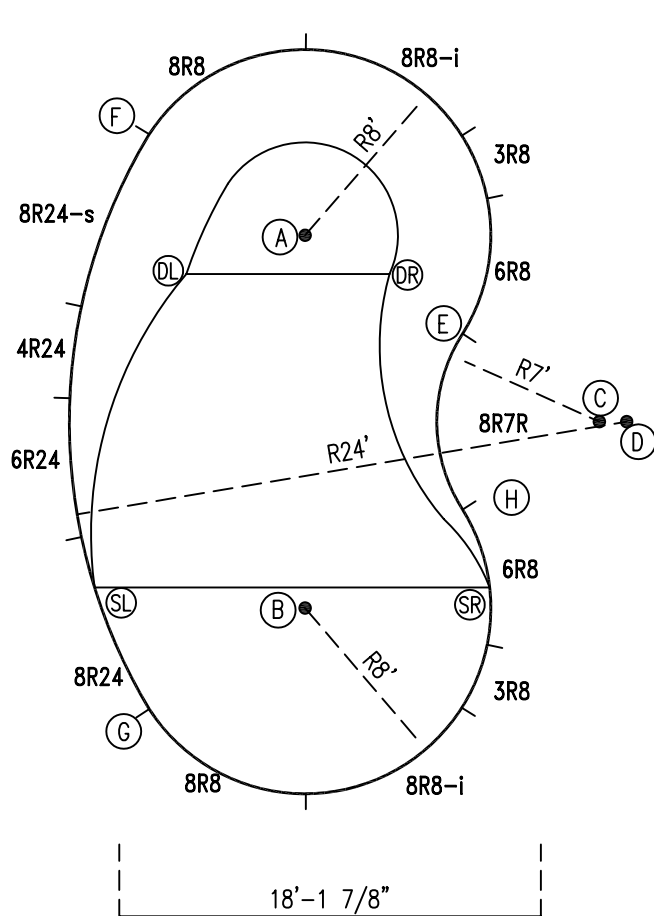
CONCRETE DECK INFO

| WIDTH | AREA | NET INCREASES FOR: | | | |
|-------|------|--------------------|--------|-------|--------|
| | | STEPS | DIVING | SLIDE | ROLLER |
| 2" | 181 | 13 | 27 | 24 | 10 |
| 2'6" | 230 | 17 | 31 | 20 | 10 |
| 3' | 281 | 20 | 36 | 16 | 10 |

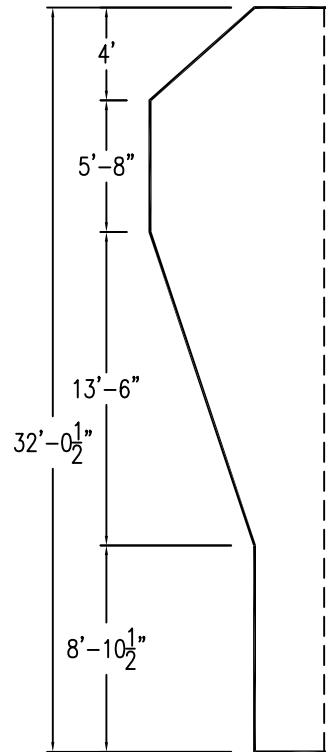
All Figures Represent "Sq Ft"

PARTS LIST

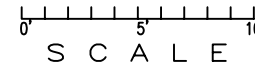
| CODE | QTY | DESCRIPTION |
|--------|-----|------------------------------|
| 8R24-s | 1 | 8' Skimmer x 24' Radius |
| 8R8-i | 2 | 8' Return x 8' Radius |
| 8R8 | 2 | 8' Plain x 8' Radius |
| 6R8 | 2 | 6' Plain x 8' Radius |
| 3R8 | 2 | 3' Plain x 8' Radius |
| 8R24 | 1 | 8' Plain x 24' Radius |
| 6R24 | 1 | 6' Plain x 24' Radius |
| 4R24 | 1 | 4' Plain x 24' Radius |
| 8R7R | 1 | 8' Plain x 7' Reverse Radius |
| AF | 13 | A-Frame |
| S | 26 | Stake |
| NB | 78 | Nuts & Bolts |



6" WATER LINE - - -



*ALL DIMENSIONS ARE FINISHED



INSTALLATION DATA

| From Point "A" to:- | | From Point "B" to:- | |
|---------------------|------------|---------------------|------------|
| B | 16'-0 5/8" | B | |
| C | 15'-0" | C | 15'-0" |
| D | 16'-0 1/8" | D | 16'-0 1/8" |
| E | 8'-0" | E | 13'-7 1/2" |
| F | 8'-0" | F | 21'-5 3/4" |
| G | 21'-5 3/4" | G | 8'-0" |
| H | 13'-7 1/2" | H | 8'-0" |
| SL | 17'-8" | SL | 9'-1 1/4" |
| SR | 17'-1 1/2" | SR | 8'-0" |
| DL | 5'-4 1/2" | DL | 15'-3 1/4" |
| DR | 4'-0" | DR | 14'-10" |

NOTICE

SWIMMING POOLS AND ACCESSORIES (INCLUDING DIVING BOARDS) ARE DANGEROUS WHEN IMPROPERLY USED OR INSTALLED. IT IS THE RESPONSIBILITY OF MUNICIPAL OFFICIALS, BUILDERS AND POOL OWNERS TO ADHERE TO ALL SAFETY RECOMMENDATIONS AND STANDARDS ISSUED BY THE POOL & HOT TUB COUNCIL, LOCAL AUTHORITIES AND EQUIPMENT MANUFACTURERS. PLEASE REFER TO DIVING BOARD MANUFACTURERS FOR CORRECT POSITIONING AND INSTALLATION OF DIVING EQUIPMENT.

HIGHBURY POOLS LTD

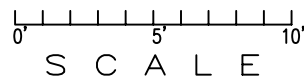
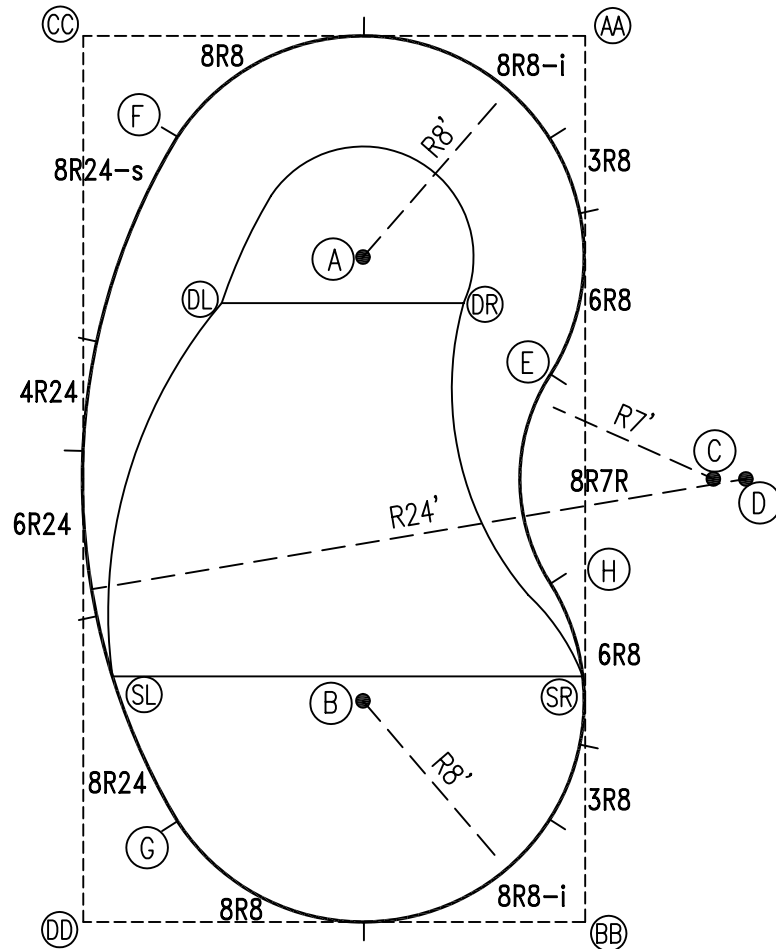
KIDNEY-CRESCENT-RIGHT 16x18'2x32

DRAWING REFERENCE #
14-16-32-2

DRAWN BY: JB
REV. 30 NOV 2006
SHEET 1 OF 2

EXTERNAL INSTALLATION DATA

| AA TO: | BB TO: | CC TO: | DD TO: |
|---------------|----------------|----------------|----------------|
| AA --- | AA 32'-0 5/8" | AA 18'-1 7/8" | AA 36'-10" |
| BB --- | BB --- | BB 36'-10" | BB 18'-1 7/8" |
| CC --- | CC --- | CC --- | CC 32'-0 5/8" |
| A 11'-4 1/8" | A 25'-4 1/4" | A 12'-10 3/4" | A 26'-1 1/8" |
| B 25'-4 1/4" | B 11'-4 1/8" | B 26'-1 1/8" | B 12'-10 3/4" |
| C 16'-8 1/4" | C 16'-8 1/4" | C 27'-10 1/4" | C 27'-10 1/4" |
| D 17'-0 5/8" | D 17'-0 5/8" | D 28'-9 7/8" | D 28'-9 7/8" |
| E 12'-3 5/8" | E 19'-10 1/4" | E 20'-10 3/8" | E 26'-0 1/2" |
| F 15'-2 1/4" | F 32'-0" | F 4'-11 7/8" | F 28'-7 1/4" |
| G 32'-0" | G 15'-2 1/4" | G 28'-7 1/4" | G 4'-11 7/8" |
| H 19'-10 1/4" | H 12'-3 5/8" | H 26'-0 1/2" | H 20'-10 3/8" |
| SL 28'-9 1/2" | SL 19'-3 1/4" | SL 23'-2 1/4" | SL 8'-11 3/8" |
| SR 23'-2" | SR 8'-10 5/8" | SR 29'-4 1/2" | SR 20'-1 5/8" |
| DL 16'-3 7/8" | DL 25'-11 1/2" | DL 10'-10 5/8" | DL 22'-11 1/4" |
| DR 10'-7 1/2" | DR 22'-9 3/4" | DR 16'-9 3/4" | DR 26'-3 1/4" |



DIAGONALS

| | |
|---------|-------|
| F To H: | 21'1" |
| E To G: | 21'1" |

NOTICE

SWIMMING POOLS AND ACCESSORIES (INCLUDING DIVING BOARDS) ARE DANGEROUS WHEN IMPROPERLY USED OR INSTALLED. IT IS THE RESPONSIBILITY OF MUNICIPAL OFFICIALS, BUILDERS AND POOL OWNERS TO ADHERE TO ALL SAFETY RECOMMENDATIONS AND STANDARDS ISSUED BY THE POOL & HOT TUB COUNCIL, LOCAL AUTHORITIES AND EQUIPMENT MANUFACTURERS. PLEASE REFER TO DIVING BOARD MANUFACTURERS FOR CORRECT POSITIONING AND INSTALLATION OF DIVING EQUIPMENT.

HIGHBURY POOLS LTD

KIDNEY-CRESCENT-RIGHT 16x18'2x32

DRAWING REFERENCE #

14-16-32-2

DRAWN BY: JB

REV. 30 NOV 2006

SHEET 2 OF 2