

MISCELLANEOUS INFORMATION

PERIMETER:	94'
SURFACE AREA:	596 SQ FT
VOLUME:	17677 IMP GALS 80430 LITER

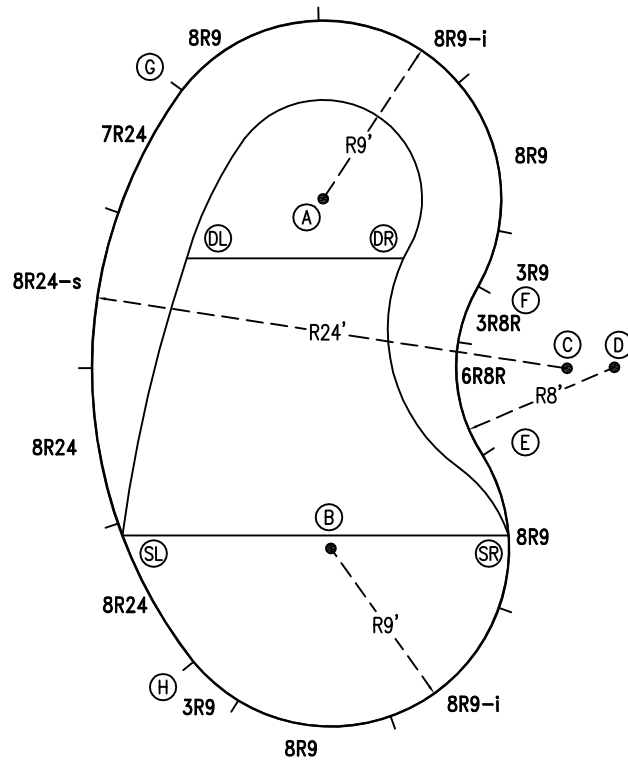
CONCRETE DECK INFO

WIDTH	AREA	NET INCREASES FOR:			
		STEPS	DIVING	SLIDE	ROLLER
2'	201	13	27	24	10
2'6"	255	17	31	20	10
3'	311	20	36	16	10

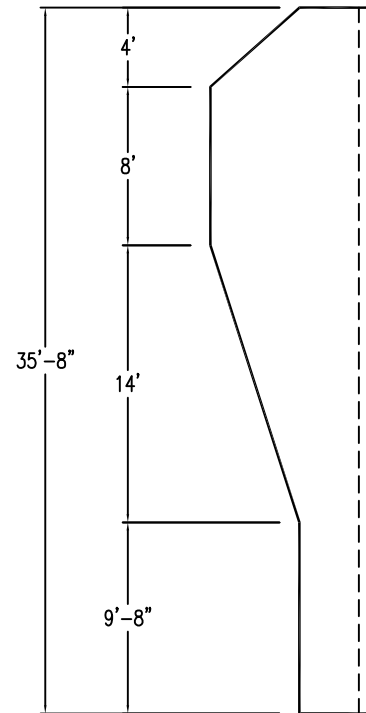
All Figures Represent "Sq Ft"

PARTS LIST

CODE	QTY	DESCRIPTION
8R9	4	8' Plain x 9' Radius
8R9-i	2	8' Return x 9' Radius
3R9	2	3' Plain x 9' Radius
3R8R	1	3' Plain x 8' Reverse Radius
6R8R	1	6' Plain x 8' Reverse Radius
8R24	2	8' Plain x 24' Radius
8R24-s	1	8' Skimmer x 24' Radius
7R24	1	7' Plain x 24' Radius
AF	14	A-Frame
S	28	Stakes
NB	84	Nuts & Bolts



6" WATER LINE



INSTALLATION DATA

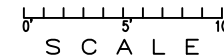
From Point "A" to:-		From Point "B" to:-	
B	17'-7 3/4"	B	15'-0"
C	15'-0"	C	17'-0"
D	17'-0"	D	17'-0"
E	15'-3 1/4"	E	9'-0"
F	9'-0"	F	15'-2"
G	9'-0"	G	24'-4"
H	24'-3 1/2"	H	9'-0"
SL	19'-9 1/2"	SL	10'-6 1/2"
SR	19'-4 3/4"	SR	9'-0"
DL	7'-6"	DL	16'-4 1/4"
DR	5'-0 1/2"	DR	15'-1 1/4"

NOTICE

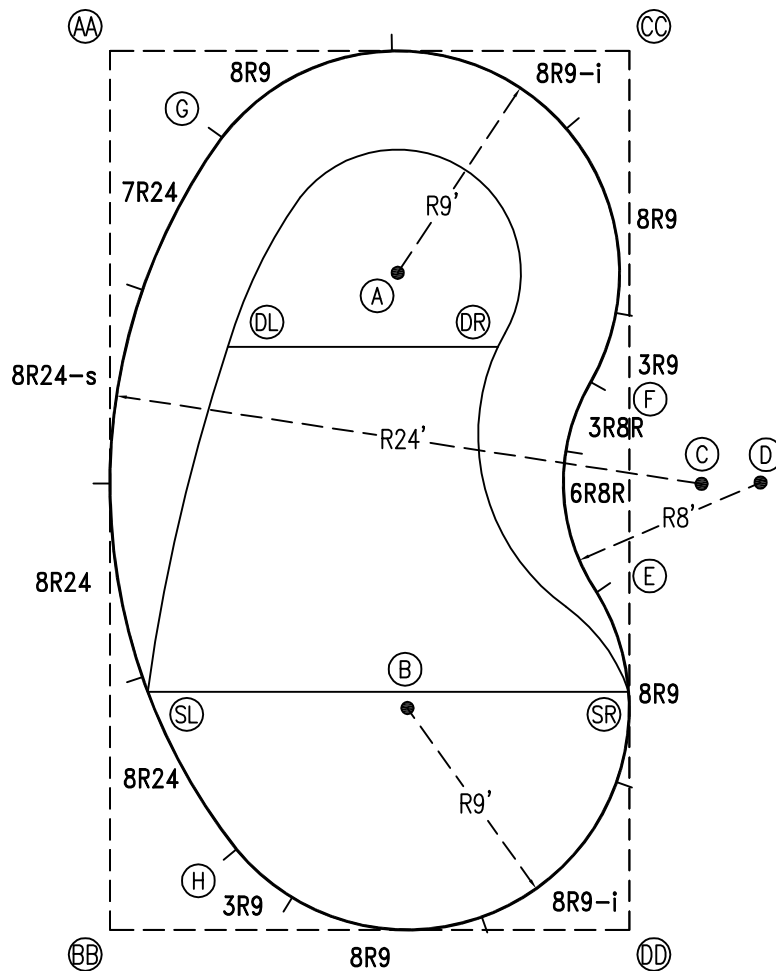
SWIMMING POOLS AND ACCESSORIES (INCLUDING DIVING BOARDS) ARE DANGEROUS WHEN IMPROPERLY USED OR INSTALLED. IT IS THE RESPONSIBILITY OF MUNICIPAL OFFICIALS, BUILDERS AND POOL OWNERS TO ADHERE TO ALL SAFETY RECOMMENDATIONS AND STANDARDS ISSUED BY THE POOL & HOT TUB COUNCIL, LOCAL AUTHORITIES AND EQUIPMENT MANUFACTURERS. PLEASE REFER TO DIVING BOARD MANUFACTURERS FOR CORRECT POSITIONING AND INSTALLATION OF DIVING EQUIPMENT.

21'-1"

*ALL DIMENSIONS ARE FINISHED



PERIMETER: 94'



EXTERNAL INSTALLATION DATA

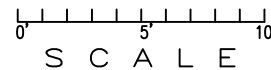
AA TO:	BB TO:	CC TO:	DD TO:
AA ---	AA 35'-7 3/4"	AA 21'-0 3/4"	AA 41'-4 3/4"
BB ---	BB ---	BB 41'-4 3/4"	BB 21'-0 3/4"
CC ---	CC ---	CC ---	CC 35'-7 3/4"
A 14'-8 3/4"	A 29'-1 1/4"	A 13'-0"	A 28'-3"
B 29'-3"	B 15'-0 1/2"	B 28'-1 1/2"	B 12'-8 3/4"
C 29'-8 3/4"	C 30'-0 3/4"	C 17'-9 1/2"	C 18'-3 3/4"
D 31'-8"	D 32'-0 1/4"	D 18'-3 1/2"	D 18'-10 3/4"
E 29'-6 1/4"	E 24'-0 1/4"	E 22'-0"	E 13'-9"
F 23'-8 1/4"	F 29'-6 3/4"	F 13'-6 1/4"	F 22'-3 1/4"
G 5'-8 3/4"	G 32'-5 1/2"	G 16'-10 3/4"	G 36'-1 3/4"
H 32'-9 1/2"	H 6'-0 3/4"	H 36'-1 1/4"	H 16'-3 1/4"
SL 26'-0 1/2"	SL 9'-9 1/4"	SL 32'-6 1/4"	SL 21'-9 1/2"
SR 33'-5 1/4"	SR 23'-1 3/4"	SR 26'-0"	SR 9'-7 3/4"
DL 12'-11"	DL 24'-1 1/2"	DL 20'-2 3/4"	DL 28'-8 1/2"
DR 19'-9 1/4"	DR 28'-4 3/4"	DR 13'-1 1/2"	DR 24'-3"

DIAGONALS

From Point "E" to:-	From Point "F" to:-
F 8'-6 3/8"	F ---
G 23'-10 7/8"	G 17'-11 1/2"
H 17'-11 1/2"	H 23'-9 1/2"

NOTICE

SWIMMING POOLS AND ACCESSORIES (INCLUDING DIVING BOARDS) ARE DANGEROUS WHEN IMPROPERLY USED OR INSTALLED. IT IS THE RESPONSIBILITY OF MUNICIPAL OFFICIALS, BUILDERS AND POOL OWNERS TO ADHERE TO ALL SAFETY RECOMMENDATIONS AND STANDARDS ISSUED BY THE POOL & HOT TUB COUNCIL, LOCAL AUTHORITIES AND EQUIPMENT MANUFACTURERS. PLEASE REFER TO DIVING BOARD MANUFACTURERS FOR CORRECT POSITIONING AND INSTALLATION OF DIVING EQUIPMENT.



HIGHBURY POOLS LTD

KIDNEY-CRESCENT - RIGHT 18 x 21 x 36

DRAWING REFERENCE #
14-18-36-2

DRAWN BY: JK
REV. 19 AUG 13
SHEET 2 OF 2