

MISCELLANEOUS INFORMATION

PERIMETER:	63'6"
SURFACE AREA:	243 SQ FT
VOLUME:	6159 IMP GALS 28023 LITER

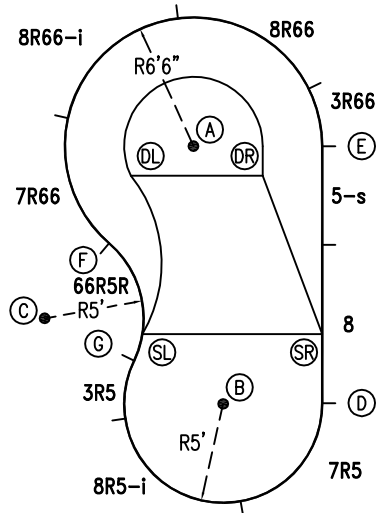
CONCRETE DECK INFO

WIDTH	AREA	NET INCREASES FOR:			
		STEPS	DIVING	SLIDE	ROLLER
2'	140	13	27	24	10
2'6"	179	17	31	20	10
3'	219	20	36	16	10

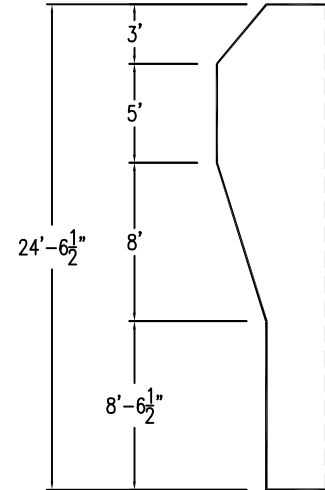
All Figures Represent "Sq Ft"

PARTS LIST

CODE	QTY	DESCRIPTION
3R5	1	3' Plain x 5' Radius
8R5-i	1	8' Return x 5' Radius
7R5	1	7' Plain x 5' Radius
8	1	8' Plain
5-s	1	5' Skimmer
3R66	1	3' Plain x 6'6" Radius
8R66	1	8' Plain x 6'6" Radius
8R66-i	1	8' Return x 6'6" Radius
7R66	1	7' Plain x 6'6" Radius
66R5R	1	6'6" Plain x 5' Reverse Radius
AF	10	A-Frame
S	20	Stakes
NB	60	Nuts & Bolts



6" WATER LINE -||-



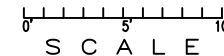
INSTALLATION DATA

From Point "A" to:-		From Point "B" to:-	
B	13'-1 1/4"	B	10'-0"
C	11'-5 3/4"	C	5'-0"
D	14'-6 1/4"	D	13'-11 1/4"
E	6'-6"	E	9'-11 1/4"
F	6'-6"	F	5'-0"
G	11'-2 3/4"	G	5'-4 3/4"
SL	9'-10"	SL	6'-1 1/4"
SR	11'-6"	SR	12'-5"
DL	3'-6"	DL	11'-8 1/4"
DR	3'-9 3/4"	DR	

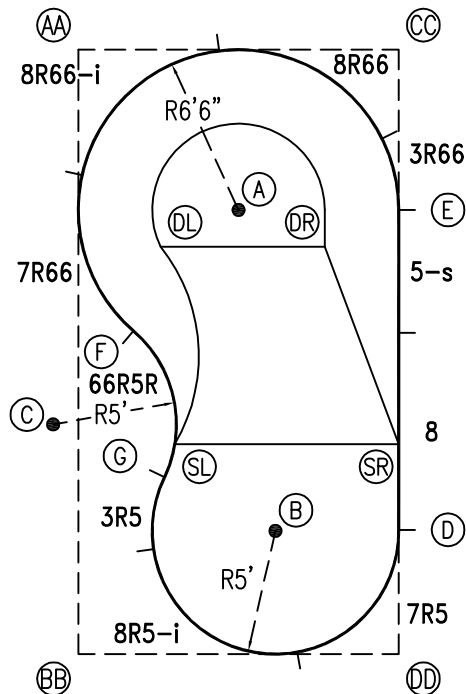
NOTICE

SWIMMING POOLS AND ACCESSORIES (INCLUDING DIVING BOARDS) ARE DANGEROUS WHEN IMPROPERLY USED OR INSTALLED. IT IS THE RESPONSIBILITY OF MUNICIPAL OFFICIALS, BUILDERS AND POOL OWNERS TO ADHERE TO ALL SAFETY RECOMMENDATIONS AND STANDARDS ISSUED BY THE POOL & HOT TUB COUNCIL, LOCAL AUTHORITIES AND EQUIPMENT MANUFACTURERS. PLEASE REFER TO DIVING BOARD MANUFACTURERS FOR CORRECT POSITIONING AND INSTALLATION OF DIVING EQUIPMENT.

*ALL DIMENSIONS ARE FINISHED



PERIMETER: 63'6"



EXTERNAL INSTALLATION DATA

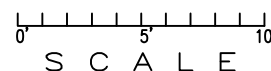
AA TO:	BB TO:	CC TO:	DD TO:
AA ---	AA 24'-6 1/4"	AA 13'-0"	AA 27'-9"
BB ---	BB ---	BB 27'-9"	BB 13'-0"
CC ---	CC ---	CC ---	CC 24'-6 1/4"
A 9'-2 1/4"	A 19'-1 3/4"	A 9'-2 1/4"	A 19'-1 3/4"
B 21'-1"	B 9'-5 1/4"	B 20'-1 3/4"	B 7'-0 3/4"
C 15'-2 3/4"	C 9'-4 1/2"	C 20'-8"	C 16'-10"
D 23'-5"	D 13'-11 1/4"	D 19'-5 3/4"	D 5'-0 1/4"
E 14'-6 1/4"	E 22'-2 1/2"	E 6'-6"	E 18'-0 1/4"
F 11'-7 1/2"	F 13'-3 1/2"	F 15'-8 1/4"	F 16'-11 1/2"
G 17'-8 1/4"	G 7'-11 3/4"	G 19'-9 1/4"	G 11'-10 3/4"
SL 16'-5 1/2"	SL 9'-4 1/2"	SL 18'-4 3/4"	SL 12'-5 1/2"
SR 20'-7 1/4"	SR 15'-6 1/2"	SR 16'-0"	SR 8'-6 1/4"
DL 8'-8"	DL 16'-10 1/4"	DL 12'-6 1/2"	DL 19'-1 1/2"
DR 12'-9 1/2"	DR 19'-3 3/4"	DR 8'-6 1/2"	DR 16'-9 1/2"

DIAGONALS

From Point "D" to:-	From Point "E" to:-
E 12'-11 7/8"	E
F 13'-5 3/8"	F 11'-9 7/8"
G 9'-8 7/8"	G 14'-4 7/8"

NOTICE

SWIMMING POOLS AND ACCESSORIES (INCLUDING DIVING BOARDS) ARE DANGEROUS WHEN IMPROPERLY USED OR INSTALLED. IT IS THE RESPONSIBILITY OF MUNICIPAL OFFICIALS, BUILDERS AND POOL OWNERS TO ADHERE TO ALL SAFETY RECOMMENDATIONS AND STANDARDS ISSUED BY THE POOL & HOT TUB COUNCIL, LOCAL AUTHORITIES AND EQUIPMENT MANUFACTURERS. PLEASE REFER TO DIVING BOARD MANUFACTURERS FOR CORRECT POSITIONING AND INSTALLATION OF DIVING EQUIPMENT.



HIGHBURY POOLS LTD

KIDNEY-STRAIGHT BACK-LEFT 13 x 13 x 24

DRAWING REFERENCE #
16-13-24-1

DRAWN BY:JK
REV. 26 JUN 13
SHEET 2 OF 2